



Illuminated pushbutton, 22 mm, round, metal, shiny, clear, pushbutton, raised, momentary contact type

|   |   |
|---|---|
| product brand name  | SIRIUS ACT  |
| product designation                                       | Illuminated pushbuttons   |
| design of the product                                     | Actuating/signaling element   |
| product type designation                                  | 3SU1  |
| product line  | Metal, shiny, 22 mm   |
| <b>Enclosure</b>  |   |
| number of command points                                  | 1   |
| <b>Actuator</b>   |   |
| design of the actuating element                           | Raised button   |
| principle of operation of the actuating element           | momentary contact type  |
| product extension optional                                |   |
| • light source  | Yes   |
| • contact module  | Yes   |
| color of the actuating element                            | clear   |
| material of the actuating element                         | plastic   |
| shape of the actuating element                            | round   |
| outer diameter of the actuating element                   | 29.5 mm   |
| <b>Front ring</b>   |   |
| product component front ring                              | Yes   |
| design of the front ring                                  | Standard  |
| material of the front ring                                | Metal, high gloss   |
| color of the front ring                                   | silver  |
| <b>General technical data</b>                             |   |
| protection class IP                                       | IP66, IP67, IP69(IP69K)   |
| degree of protection NEMA rating                          | 1, 2, 3, 3R, 4, 4X, 12, 13  |
| shock resistance  |   |
| • acc. to IEC 60068-2-27                                  | Sinusoidal half-wave 50g / 11 ms                                    |
| vibration resistance                                      |   |
| • acc. to IEC 60068-2-6                                   | 10 ... 500 Hz: 5g   |
| operating frequency maximum                               | 3 600 1/h   |
| mechanical service life (switching cycles) typical        | 3 000 000   |
| reference code acc. to IEC 81346-2                        | S   |
| <b>Ambient conditions</b>                                 |   |
| • ambient temperature during operation                    | -25 ... +70 °C  |
| • ambient temperature during storage                      | -40 ... +80 °C  |
| environmental category during operation acc. to IEC 60721 | 3M6, 3S2, 3B2, 3C3, 3K6 (with relative air humidity of 10 ... 95 %) |

| Installation/ mounting/ dimensions          |         |
|---|---------|
| height                                      | 29.5 mm |
| width                                       | 29.5 mm |
| shape of the installation opening           | round   |
| mounting diameter                           | 22.3 mm |
| positive tolerance of installation diameter | 0.4 mm  |
| mounting height                             | 16.2 mm |
| installation width                          | 29.5 mm |
| installation depth                          | 24.3 mm |

| Certificates/ approvals  |                           |                   |
|--------------------------|---------------------------|-------------------|
| General Product Approval | Declaration of Conformity | Test Certificates |



[Miscellaneous](#)



[Special Test Certificate](#)

| Test Certificates | Marine / Shipping |
|-------------------|-------------------|
|-------------------|-------------------|

[Type Test Certificates/Test Report](#)



| other |
|-------|
|-------|

[Confirmation](#)

### Further information

Information- and Downloadcenter (Catalogs, Brochures,...)

<https://www.siemens.com/ic10>

Industry Mall (Online ordering system)

<https://mall.industry.siemens.com/mall/en/en/Catalog/product?mlfb=3SU1051-0BB70-0AA0>

Cax online generator

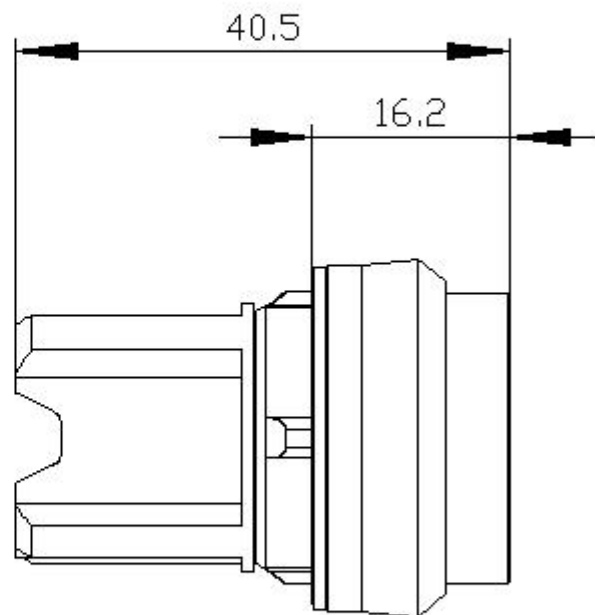
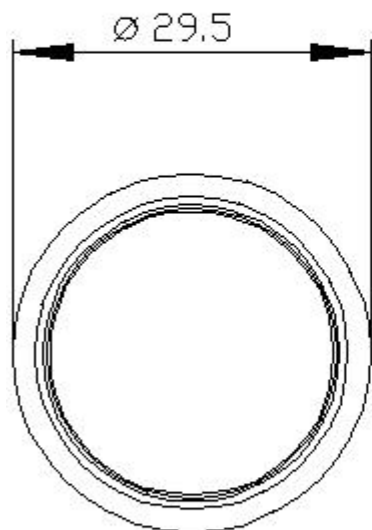
<http://support.automation.siemens.com/WW/CAXorder/default.aspx?lang=en&mlfb=3SU1051-0BB70-0AA0>

Service&Support (Manuals, Certificates, Characteristics, FAQs,...)

<https://support.industry.siemens.com/cs/ww/en/ps/3SU1051-0BB70-0AA0>

Image database (product images, 2D dimension drawings, 3D models, device circuit diagrams, EPLAN macros, ...)

[http://www.automation.siemens.com/bilddb/cax\\_de.aspx?mlfb=3SU1051-0BB70-0AA0&lang=en](http://www.automation.siemens.com/bilddb/cax_de.aspx?mlfb=3SU1051-0BB70-0AA0&lang=en)



last modified:

10/22/2020 