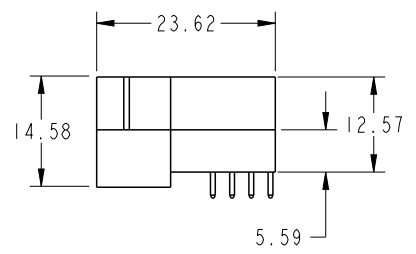
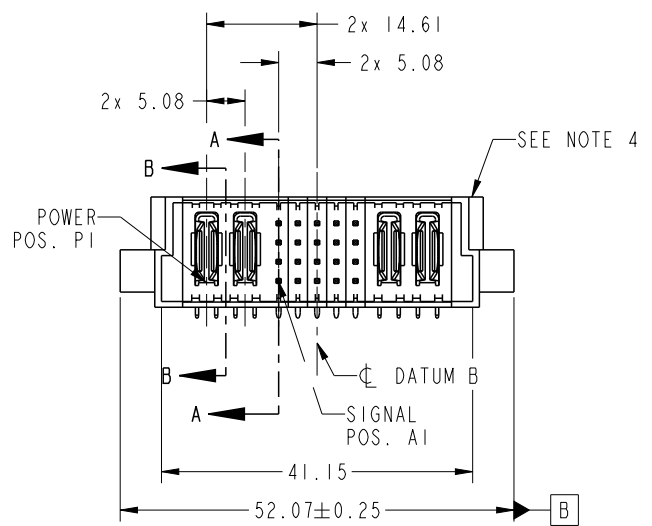
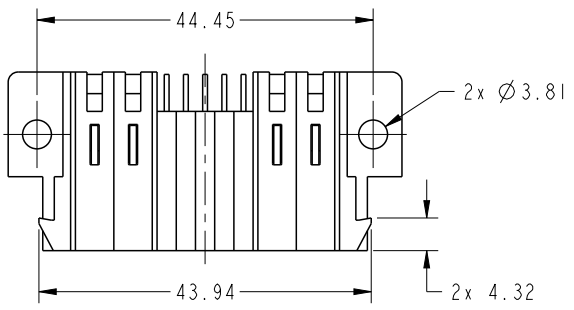


PRODUCT NO.	ROWS	POWER		SIGNAL					POWER		
		E1	P1	P2	1	2	3	4	5	P3	P4
51939-913-- NOTE 3	D C B A		PA	PA	UUUUUU	TTTTTT	SSSSSS	RRRRRR	PA	PA	



CODE	DIM "M" MATING LENGTH	CONTACT TYPE
U	[6.86]	SIGNAL
T	[6.86]	SIGNAL
S	[6.86]	SIGNAL
R	[6.86]	SIGNAL
PA	[N/A]	POWER



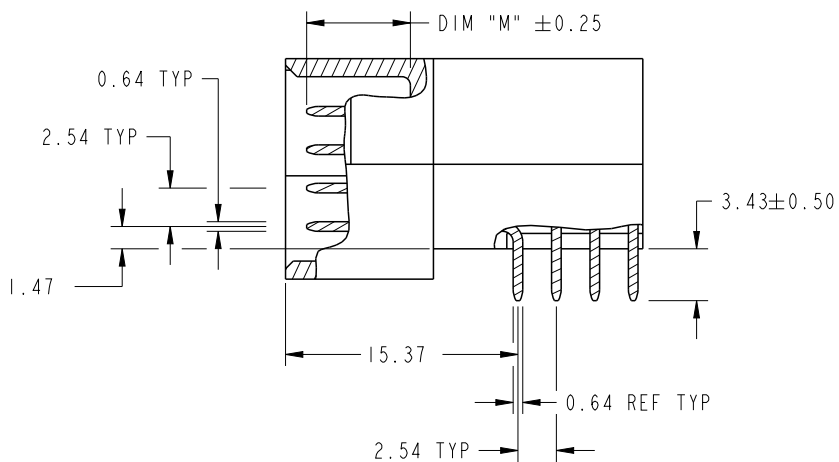
Copyright FCI.

spec ref	*	dr	Luo Weller	2014/08/04	projection	MM	size	A4	scale	1:1	
tolerance std	ASME Y14.5	eng	Ruan MT	2015/05/07		←→	ecn no	ELX-DG-20836-1			
TOLERANCES UNLESS OTHERWISE SPECIFIED		chr	Fancy Zhang	2015/05/07			product family	PwrBlade	rel level	Released	
surface	✓	appr	Pei-Ming Zheng	2015/05/08	2DCP + 20S + 2DCP		dwg no	51939-913		rev	B
ASME Y14.5	linear				www.fci.com	cat. no.	-	Product - Customer Drw	sheet 1 of 4		
	angular										

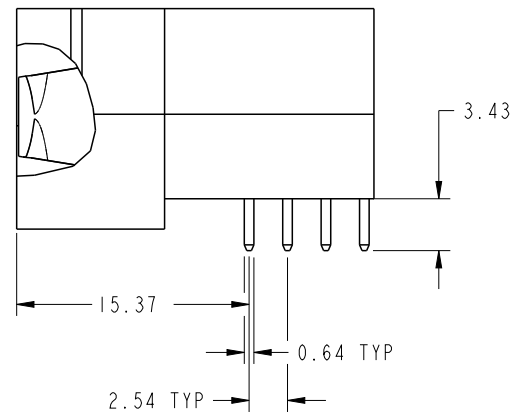
PrdE File - REV C - 2009-06-09

PRODUCT NUMBER

51939-913--
NOTE: 3



BROKEN-OUT SECTION A-A
SCALE 2:1

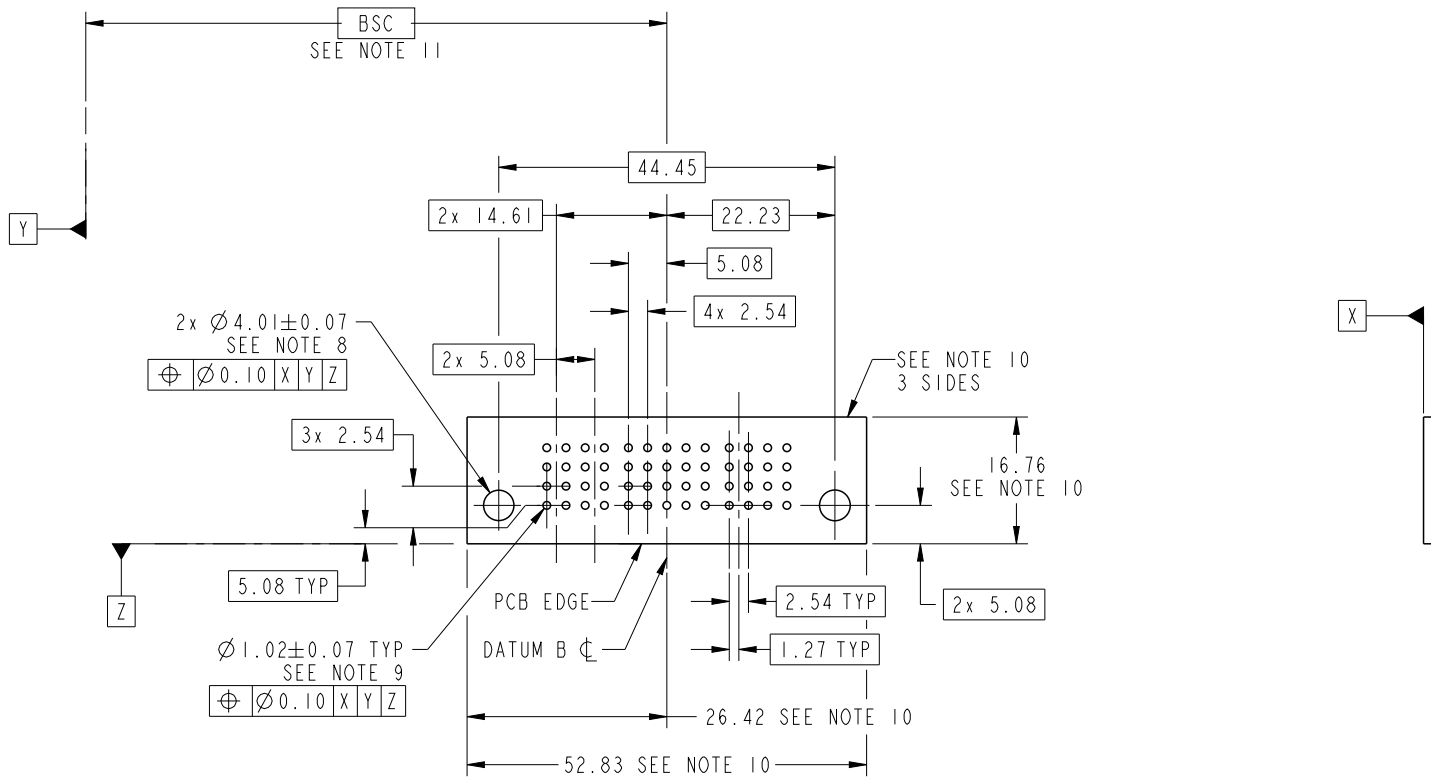


BROKEN-OUT SECTION B-B
SCALE 2:1

dr	Luo Weller	2014/08/04	projection 	MM 	size	A4	scale	1:1			
eng	Ruan MT	2015/05/07			ecn no	ELX-DG-20836-1					
chr	Fancy Zhang	2015/05/07			product family	PwrBlade		rel level	Released		
appr	Pei-Ming Zheng	2015/05/08			title	2DCP + 20S + 2DCP		dwg no	51939-913	rev	B
www.fci.com		cat. no.	-	Product - Customer Drw			sheet 2 of 4				

PRODUCT NUMBER

51939-913__
NOTE: 3



RECOMMENDED PCB LAYOUT

dr	Luo Weller	2014/08/04	projection 	MM 	size	A4	scale	1:1			
eng	Ruan MT	2015/05/07			ecn no	ELX-DG-20836-1					
chr	Fancy Zhang	2015/05/07			rel level	Released					
appr	Pei-Ming Zheng	2015/05/08	product family	PwrBlade							
		title			2DCP + 20S + 2DCP		dwg no		51939-913	rev	B
www.fci.com		cat. no.			-		Product - Customer Drw		sheet 3 of 4		

PRODUCT NUMBER

51939-913__
NOTE: 3

NOTES:

1. DIMENSIONS AND TOLERANCES ARE IN ACCORDANCE WITH ASME Y14.5M, 1994 UNLESS OTHERWISE SPECIFIED.

CONNECTOR NOTES:

- 2. HOUSING MATERIAL: UL 94 V-0 GLASS FILLED HIGH-TEMP THERMOPLASTIC
POWER CONTACT MATERIAL: COPPER ALLOY
SIGNAL PIN MATERIAL: COPPER ALLOY
- 3. SEE ITEM 1 & 2 IN PRINT 10064183 FOR PLATING SPEC OF 51939-913 AND 51939-913LF RESPECTIVELY.
- 4. MANUFACTURER'S NAME, DATE CODE AND OPTIONAL P/N TO APPEAR ON THIS SURFACE. THE MARK CAN BE OMITTED IF THERE IS NOT ENOUGH SPACE ON THIS SURFACE.
- 5. PRODUCT SPECIFICATION GS-12-149.
APPLICATION SPECIFICATION BUS-20-067.
- 6. PACKAGED IN TRAYS.

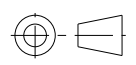



PCB NOTES:

- 7. ALL HOLE DIAMETERS ARE FINISHED HOLE SIZE.
- 8. MOUNTING HOLES, WHERE APPLICABLE, ARE UNPLATED.
- 9. $\varnothing 1.151 \pm 0.025$ DRILLED HOLES PLATED WITH 0.008 MIN SnPb OR Sn OVER 0.03 TO 0.08 Cu PLATING TO ACHIEVE $\varnothing 1.02 \pm 0.07$ HOLE.
- 10. CONNECTOR KEEP-OUT ZONE.
- 11. DATUM AND BASIC DIMENIONS ARE ESTABLISHED BY CUSTOMER.

12. A  SYMBOL WILL BE NEXT TO ANY DIMENSION, VIEW, OR NOTE WHICH HAS BEEN MODIFIED WITH THE CURRENT DRAWING REVISION.



Copyright FCI.

dr	Luo Weller	2014/08/04	projection 	MM 	size	A4	scale	1:1
eng	Ruan MT	2015/05/07			ecn no	ELX-DG-20836-1		
chr	Fancy Zhang	2015/05/07			product family	PwrBlade	rel level	Released
appr	Pei-Ming Zheng	2015/05/08			title 2DCP + 20S + 2DCP  RIGHT ANGLE SOLDER HEADER	dwg no 51939-913	rev B	
www.fci.com		cat. no.	-	Product - Customer Drw			sheet 4 of 4	