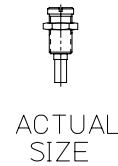


MI DRG. NO.

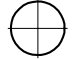
6933-15A

REV.

**6933-15****A****TUNING ELEMENT**

## SPECIFICATIONS

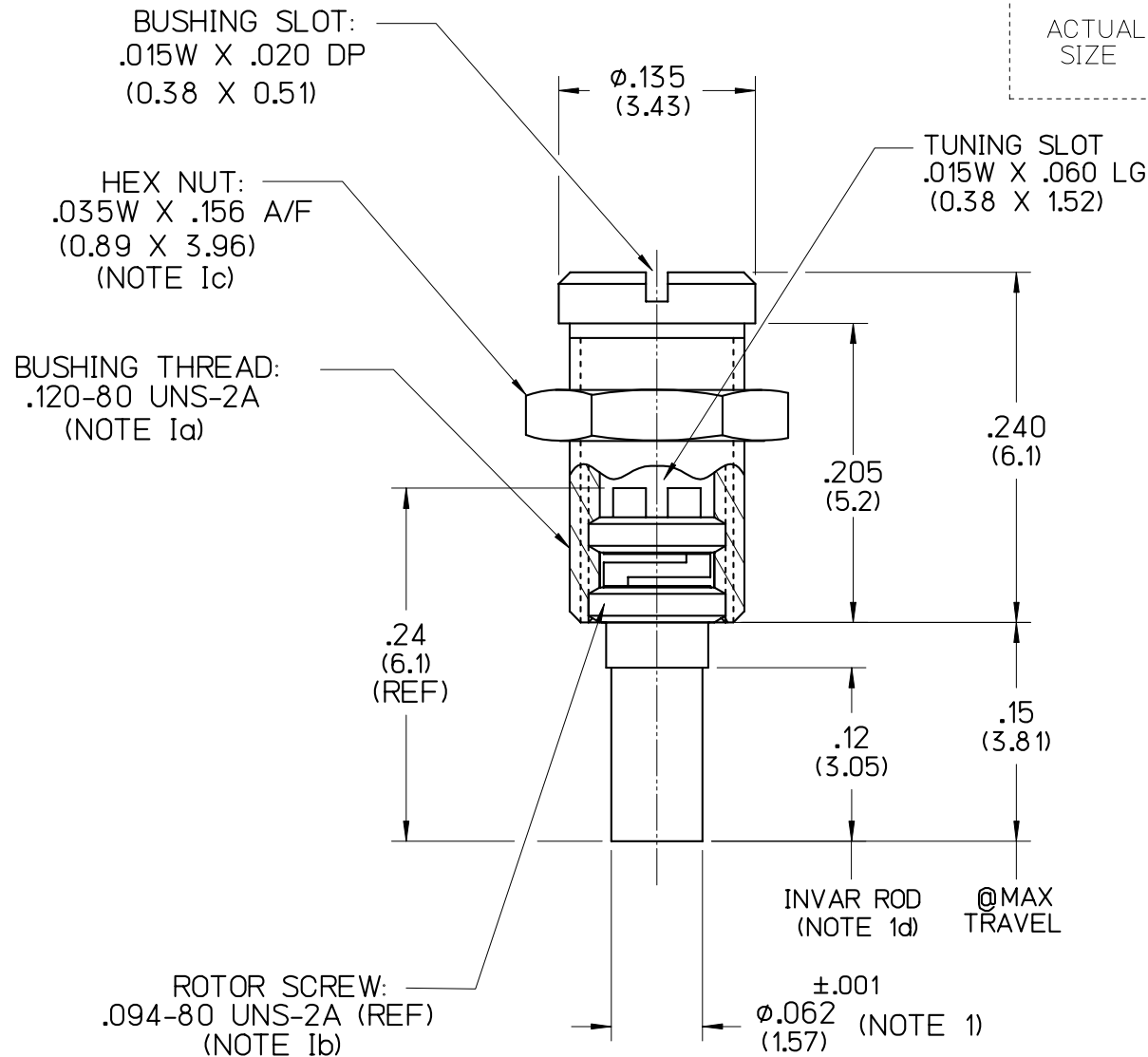
FILE: AIROUT

LOW CONTACT RESISTANCE	< 0.01 OHMS	
ROTATIONAL LIFE	> 1000 REVOLUTIONS	
TUNING ELEMENT	TUNING	0.3 TO 3.0 OZ. IN. (REF: 0.21 TO 2.12 Ncm)
	NUT MOUNTING	10 OZ. IN. MAX (REF: 7.06 Ncm)
MOUNTING	CLEARANCE HOLE	$\phi$ .125 (.318)  $\phi$ .123 (.312)
	THREADED HOLE	JMC TAP P/N 7060 (.120-80 UNS-2) TAP DRILL #36 (.1065)

## BRASS / INVAR STRUCTURE

## NOTES:

- PLATING / FINISHES:
  - BUSHING: JOHANSON STANDARD GOLD PLATING.
  - ROTOR SCREW: JOHANSON CHROMATE CONVERSION, W/PRE-TORQUED AND LUBRICATED THREADS
  - HEX NUT: JMC CHROMATE CONVERSION
  - ROD: SILVER PLATED, 120  $\mu$ m (>3 $\mu$ m)
- DIMENSIONS: INCHES  
DIMENSIONS (mm), FOR REFERENCE



A	7/10/14	RJV	-	-	001253
LEVEL	DATE	DRN.	CHK.	APP.	ECN
REVISIONS					
DRN.	RJV	CHK.	RJV	APP.	MAI
SCALE	8" = 1"				
DATE	7/10/14	DATE	7/10/14	DATE	7/10/14
				.XX $\pm$ .015	.XXX $\pm$ .005

APPLICATIONS: FOR HIGH Q VARIABLE REACTANCE TUNING OF MICROWAVE CAVITIES, FILTERS, AND OTHER RESONANT STRUCTURES.

**JOHANSON MANUFACTURING CORPORATION**

ROCKAWAY VALLEY ROAD, BOONTON, N.J. 07005 (973)334-2676 FAX (973)334-2954  
ELECTRONIC ACCURACY THROUGH MECHANICAL PRECISION

PROPRIETARY INFORMATION CONTAINED NOT TO BE USED WITHOUT JOHANSON MANUFACTURING CORPORATION APPROVAL