



Electrical Specifications

Center Frequency: 510 MHz
0.5 dB Bandwidth: $F_o \pm 2.0$ MHz
3.0 dB Bandwidth: $F_o \pm 4.0$ MHz with ± 0.2 dB Ripple Max
Insertion Loss: 5.0 dB Max at F_o
VSWR: 1.25:1 Max at $F_o \pm 4.0$ MHz
Phase Linearity: $\pm 3.0^\circ$ Max at $F_o \pm 4.0$ MHz
Stop Band Rejection:
 Offset -15 MHz & +20 MHz of F_o is 10 dB Min
 Offset -20 MHz & +30 MHz of F_o is 20 dB Min
 Offset -30 MHz & +40 MHz of F_o is 30 dB Min
 Offset -40 MHz & +65 MHz of F_o is 40 dB Min
 Offset -60 MHz & +90 MHz of F_o is 60 dB Min

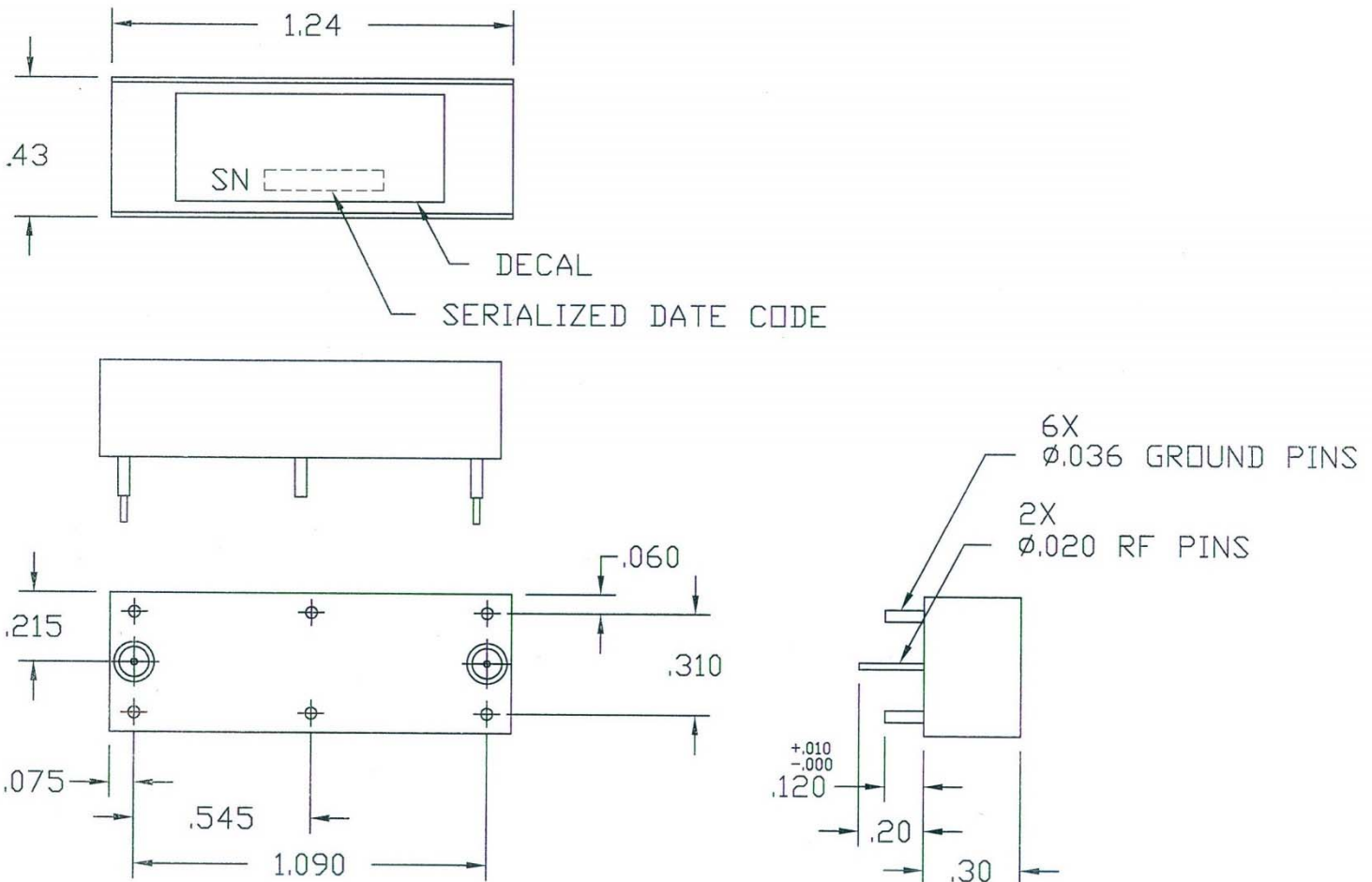
Mechanical

Connector Type: RF Pins
Dimensions: 1.24 x 0.43 x 0.30 Inches

Environmental

Operating Temperature: -30 to +85° C
Storage Temperature: -40 to +95° C
Shock: 20 G. 11 ms
Vibration: 20 G. 5 to 200 MHz

Outline Drawing:



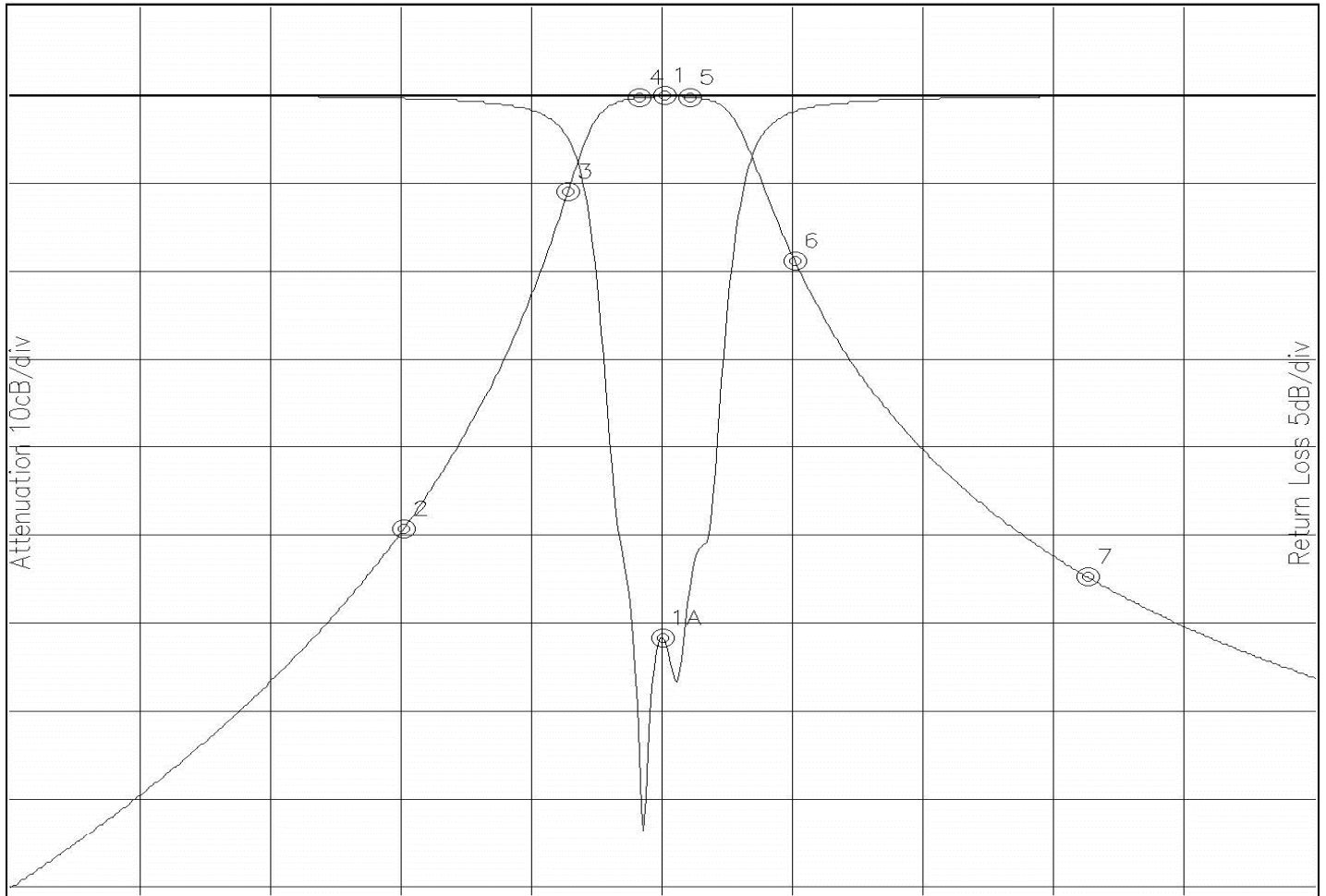


Response Plot:

A500.lad

DEC 2, 2015

Attenuation/Return Loss



Attenuation Start: 410.0MHz Stop: 610.0MHz

Return Loss Start: 410.0MHz Stop: 610.0MHz

Offset -2.6087dB

Marker 1 Freq 510.16MHz Atten -0.074dB

Marker 1A Freq 509.83MHz Ret Loss -30.716dB

Marker 2 Freq 470.09MHz Atten -49.195dB

Marker 3 Freq 495.29MHz Atten -10.927dB

Marker 4 Freq 506.28MHz Atten -0.241dB

Marker 5 Freq 514.03MHz Atten -0.165dB

Marker 6 Freq 530.19MHz Atten -18.788dB

Marker 7 Freq 575.10MHz Atten -54.598dB

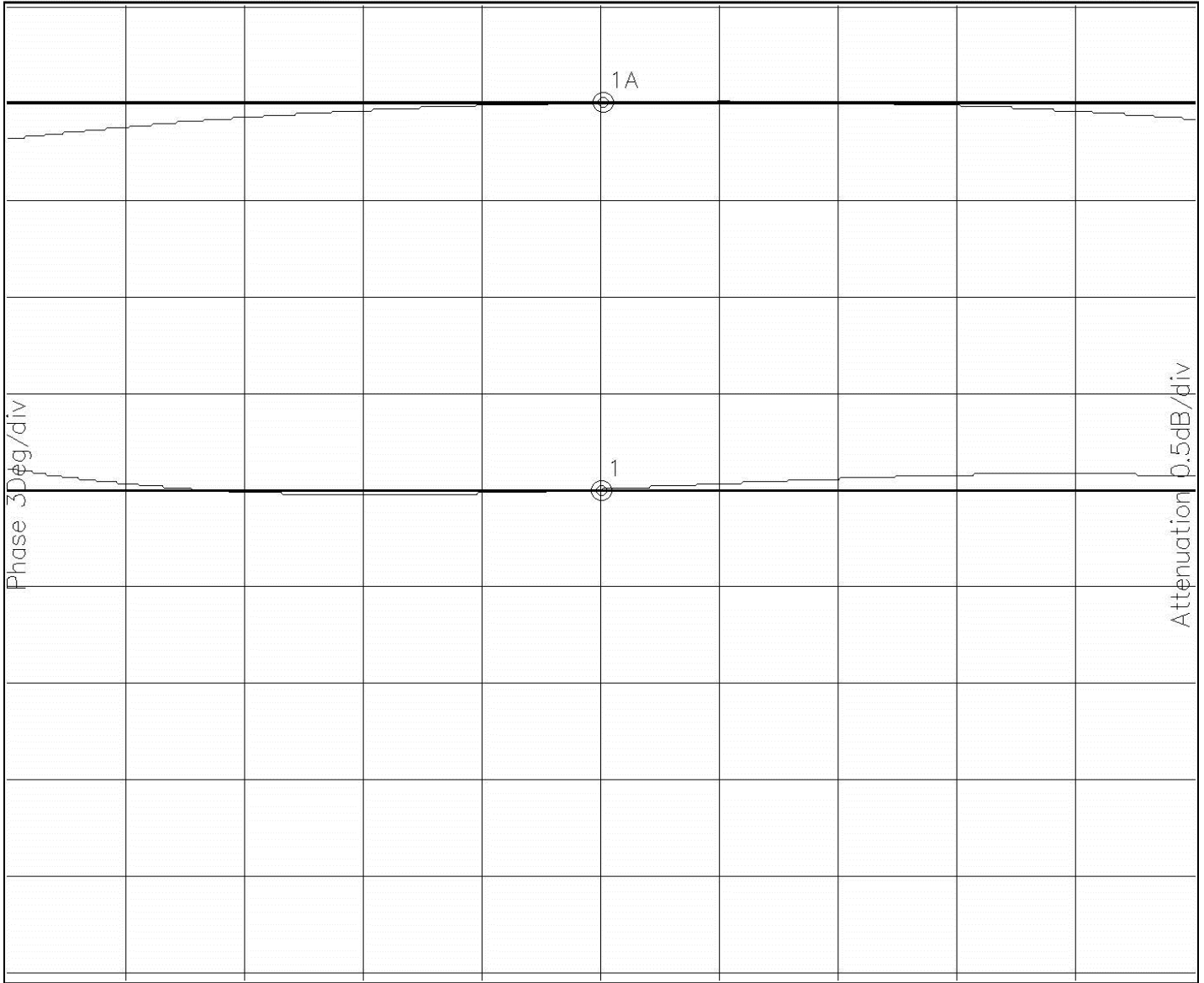


Response Plot:

A500.lad

DEC 2, 2015

Phase/Attenuation



Phase Start: 506.0MHz Stop: 514.0MHz

Attenuation Start: 506.0MHz Stop: 514.0MHz

Offset -350.08Deg

Offset -2.6847dB

Marker 1 Freq 509.99MHz Phase 0.032Deg

Marker 1A Freq 510.00MHz Atten 0.000dB