



# Single Port 10G PoE++ RJ45 Connector

AR11-4502

- 10 Gigabit Base-T for Ethernet Applications
- For PoE++ Applications with up to 900mA current capability. Compliant with IEEE802.3at
- Operating Temp: 0°C to +70°C
- Storage Temp: -40°C to +85°C
- RJ45 Jack cavity conforms to FCC rules and regulations Part 68



### Electrical Specifications @25°C

OCL(μH Min) @100KHz, 0.1V With 8mA DC BIAS	Turns Ratio (±2%)	Return Loss (Z Out = 100Ω ±1%) dB Min		Insertion Loss (dB Max)		Current Carrying Capability, RJ45 Pin 1-8
		1-100MHz	100-500MHz	100KHz	1-400MHz	
120	1:1	-22	-22 + 20.75*LOG(f/100)	-3.0	-2.0	900mA Max

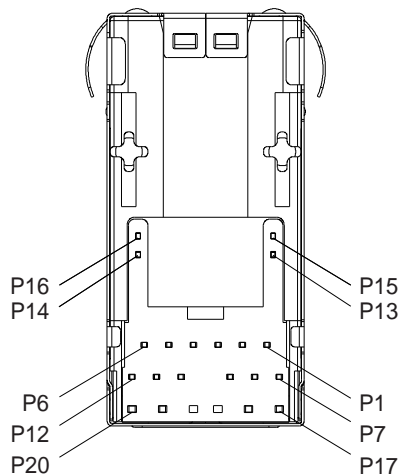
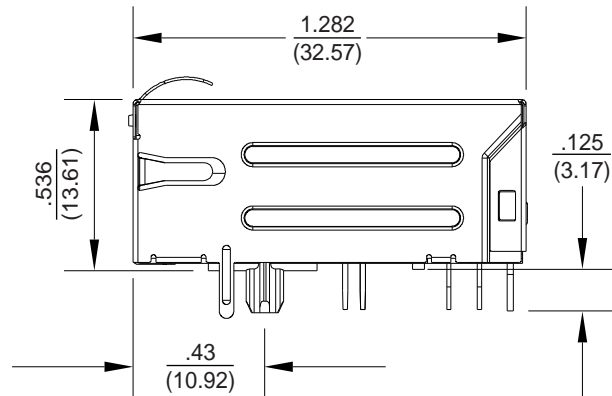
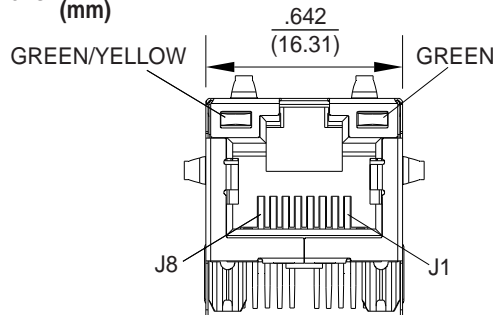
### Electrical Specifications @25°C

Cross Talk (dB Min)		CMR (dB Min)			CDMR (dB Min)		Hi-Pot Input - Output 60 Sec
1-100MHz	100-500MHz	1-40MHz	40-100MHz	100-500MHz	1-250MHz	250-500MHz	
-28	-19	-30	-28	-26	-30	-22	2250VDC Min

All specifications subject to change without notice.

## MECHANICAL

Dimensions:  $\frac{\text{inch}}{\text{(mm)}}$

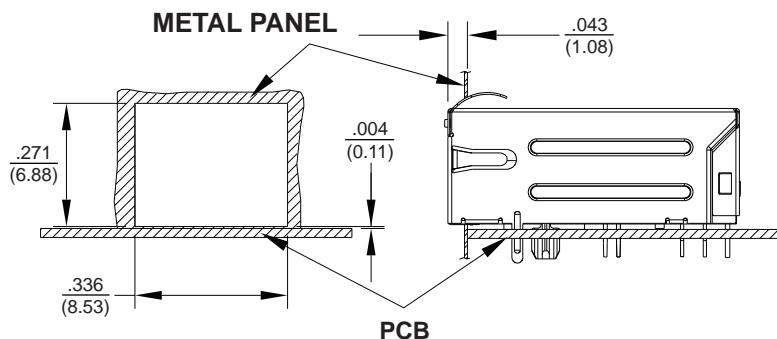


Unless otherwise specified, all dimension tolerances are ±.010 (.254mm)



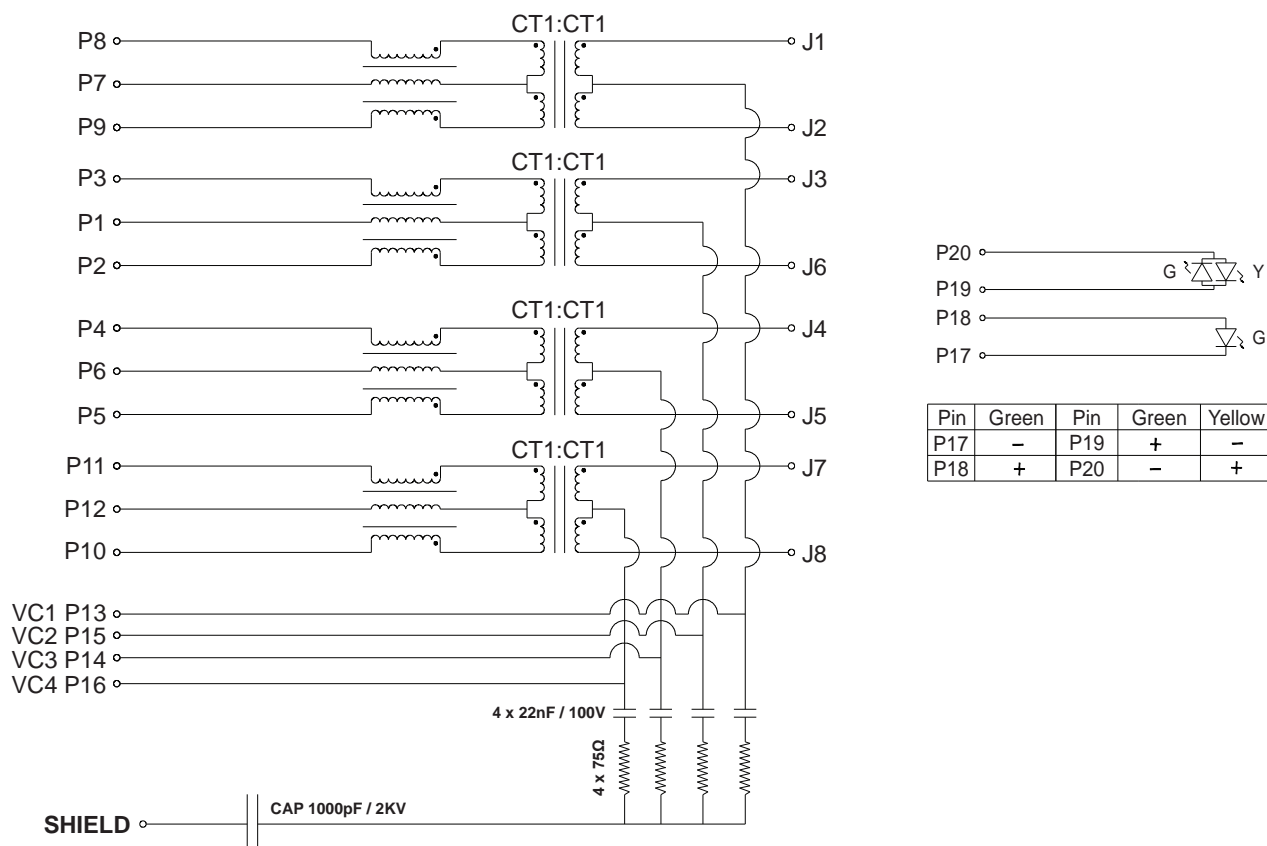
SUGGESTED PANEL CUTOUT

Dimensions:  $\frac{\text{inch}}{\text{(mm)}}$

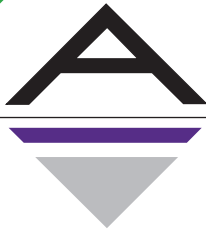


Tolerances:  $\pm .004(0.10)$

SCHEMATICS

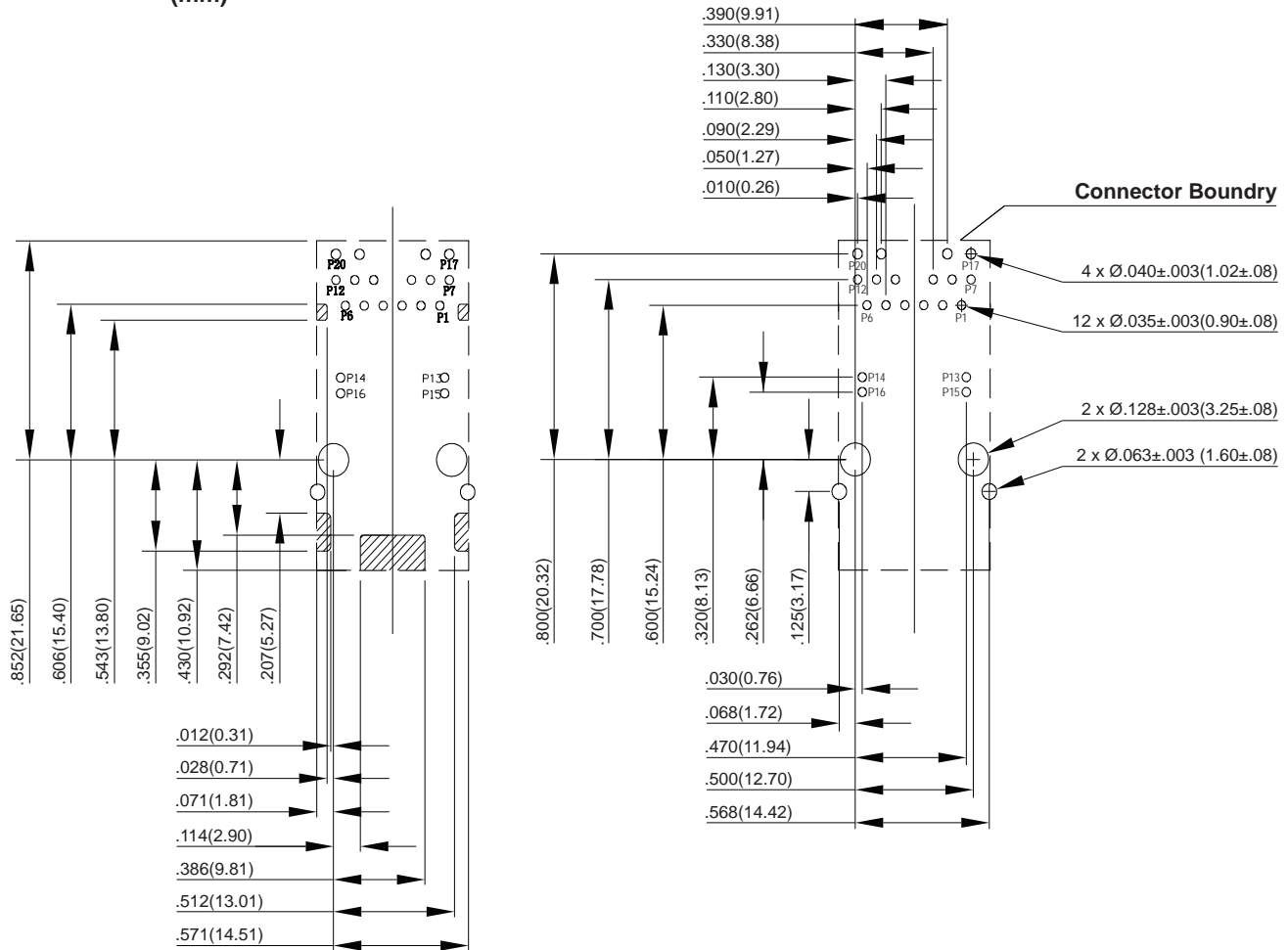


Pin	Green	Pin	Green	Yellow
P17	-	P19	+	-
P18	+	P20	-	+



PCB-LAYOUT

Dimensions:  $\frac{\text{inch}}{\text{(mm)}}$



Tolerances:  $\pm.004$ (0.10)

NOTES

1. Connector Material:  
Housing: PA66 Black UL94 V-0  
Shield: Brass  
Shield Plating: Nickel  
Contact: Phosphor Bronze  
Contact Plating: Selective Gold, 50 $\mu$ " Min in contact area
2. Pin not Electrically connected maybe omitted review electrical drawing for omitted Pins.
3. The part is recommended for wave soldering process peak soldering Temperature is 260°C Max, 10 Secs Max