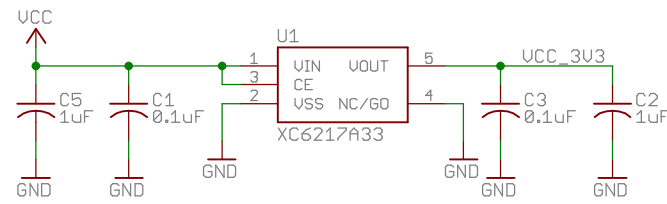
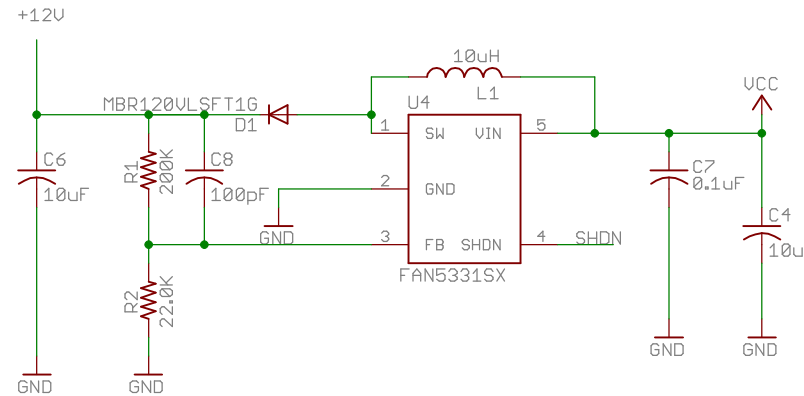


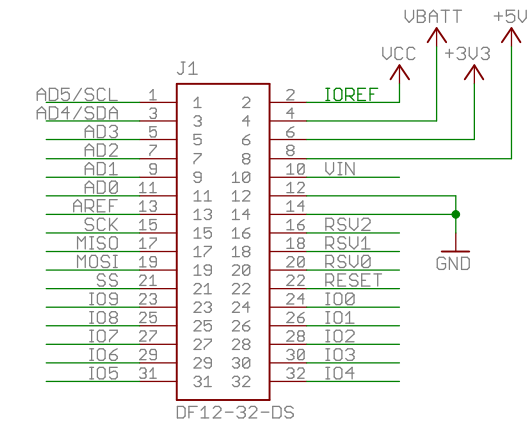
### 3.3V Power Supply



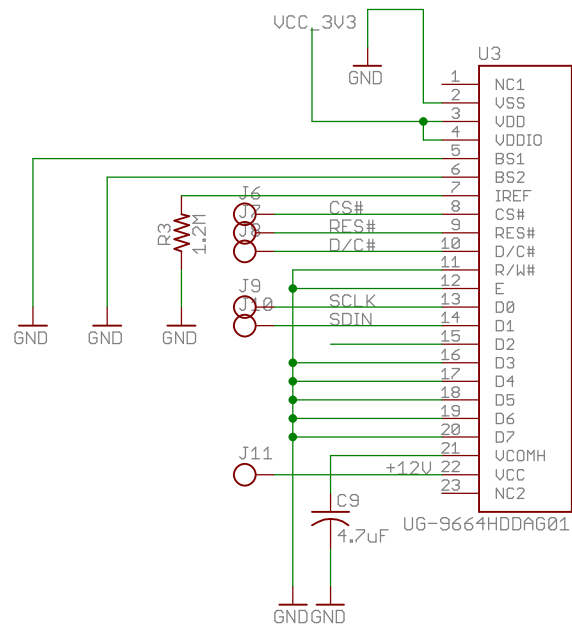
### 13.5V Power Supply



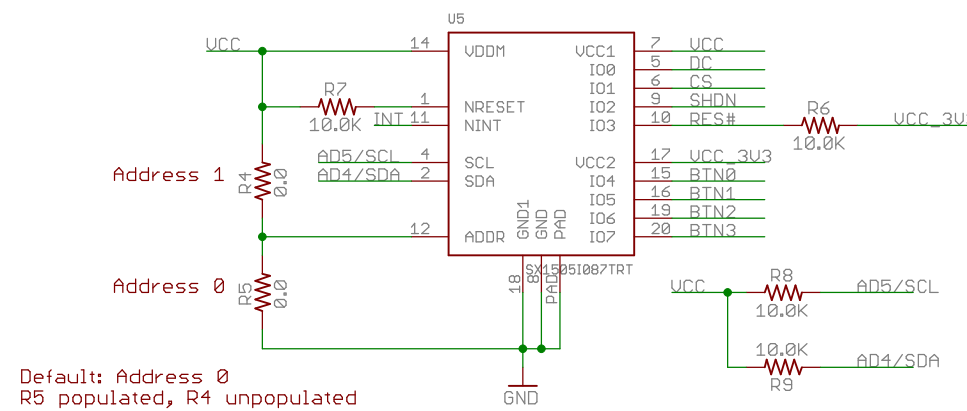
### TinyShield Expansion - Bottom



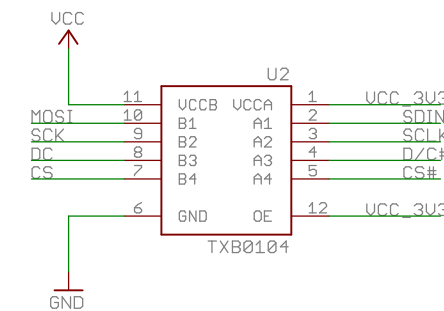
### OLED Screen



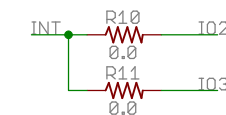
### I2C GPIO Expander



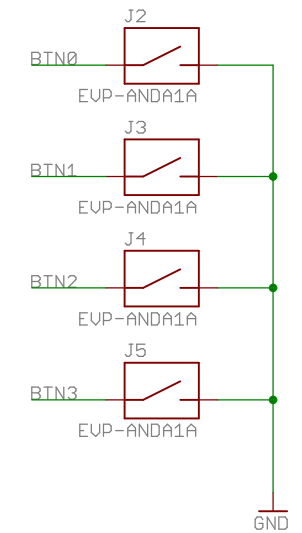
### Level Shifter



Optional interrupt from GPIO, unpopulated by default



### Buttons



Released under the Creative Commons Attribution Share-Alike 3.0 License  
<http://creativecommons.org/licenses/by-sa/3.0>

Original Arduino Uno Design by Team Arduino  
 LilyPad Arduino Design by Leah Buechley and Sparkfun Electronics  
 TinyDuino, TinyLily and TinyShield Designs by TinyCircuits

<b>TINYCIRCUITS</b>		<a href="http://www.TinyCircuits.com">http://www.TinyCircuits.com</a>	
TITLE: TinyShield - OLED Board			
Document Number: <b>AS-SCH-ASD2431</b>			REV: <b>5</b>
Date: 3/13/2016 7:36:05 PM			Sheet: 1/1