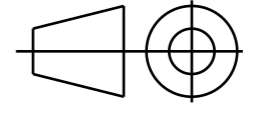


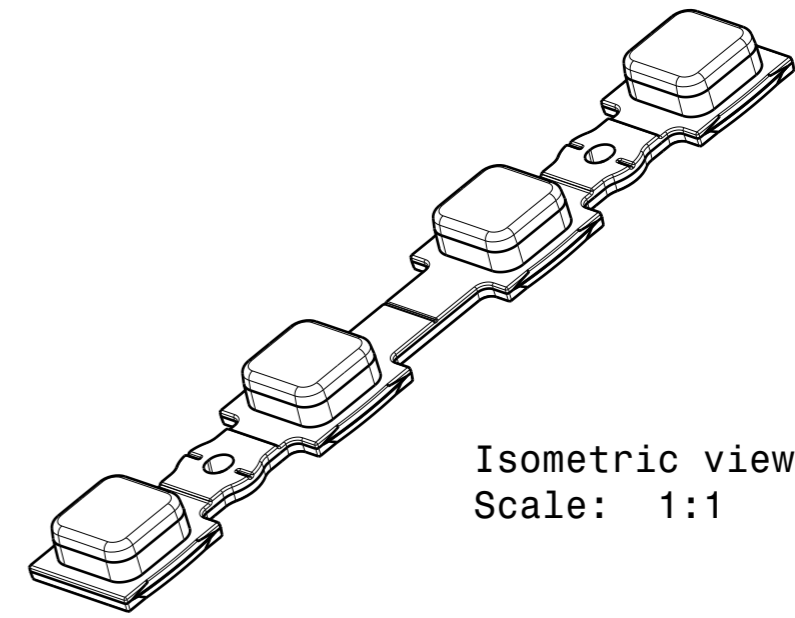
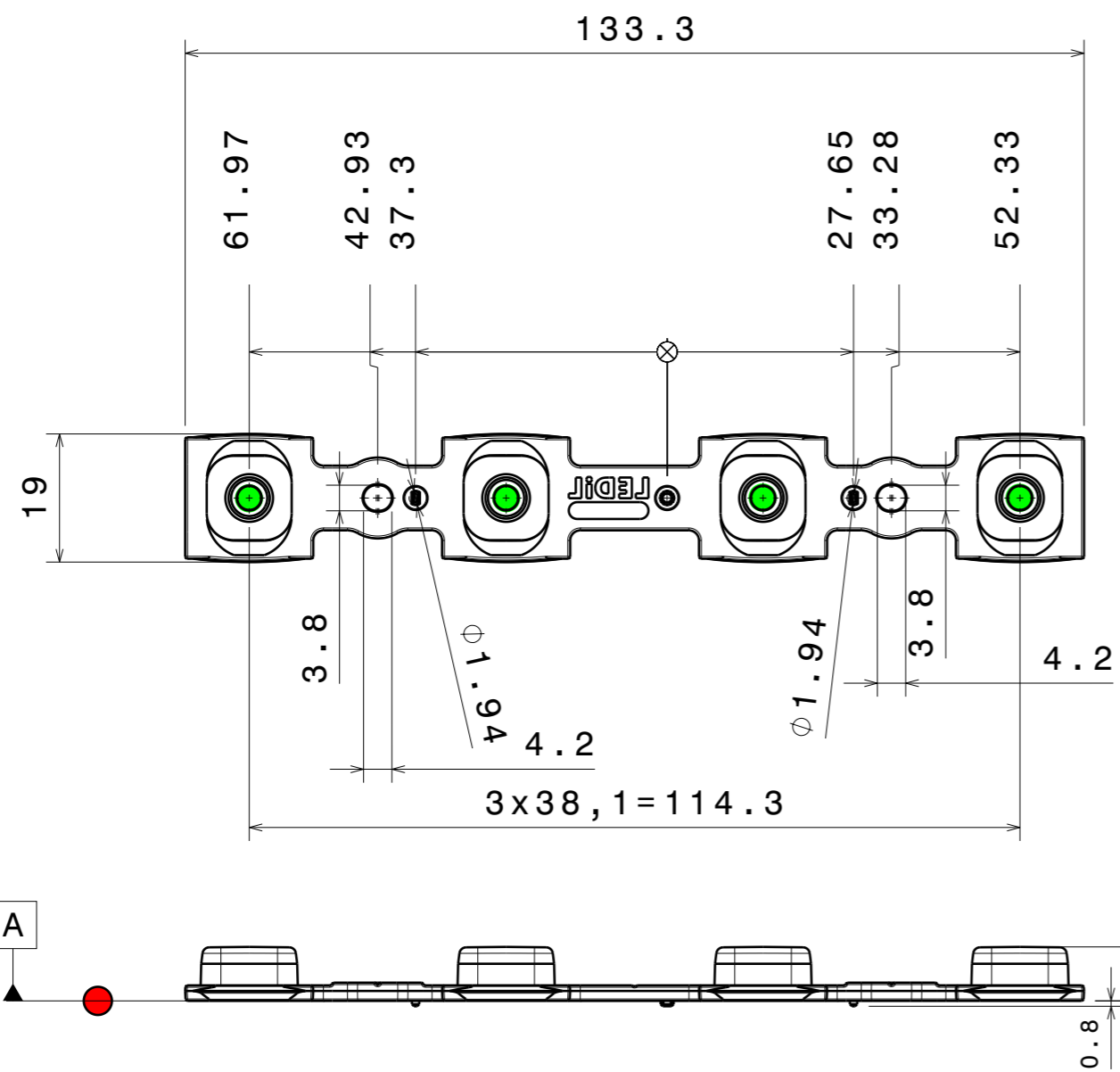


MECHANICAL DRAWING		LEDiL [®]
PRODUCT DAISY-8X1-M		
Plastic moulding general tolerances according to DIN 16901-130 and applies if not otherwise shown in the drawing. Silicone moulding general tolerances according to ISO 3302-1 Class M3 and applies if not otherwise shown in the drawing.	FIRST ANGLE PROJECTION: 	This drawing is the property of LEDiL Oy. It may not be copied or otherwise distributed without prior written permission from LEDiL Oy.
SCALE 1:1	WEIGHT -	A3 SHEET 1/1

Notes

	PCB or heatsink level.
	LED location
Ensure LED fitting from a product specific 3D model available from www.ledil.com	
For more details about installation please see LEDiL Installation Guide on www.ledil.com	



Isometric view
Scale: 1:1

PART	TYPE	MATERIAL	COLOR / COATING
C17819_DAISSY-4X1-M-US	LENS	PMMA	CLEAR

MECHANICAL DRAWING	
PRODUCT	DAISSY-4X1-M-US
Plastic moulding general tolerances according to DIN 16901-130 and applies if not otherwise shown in the drawing. Silicone moulding general tolerances according to ISO 3302-1 Class M3 and applies if not otherwise shown in the drawing.	FIRST ANGLE PROJECTION:
SCALE 1:1	WEIGHT 6 g

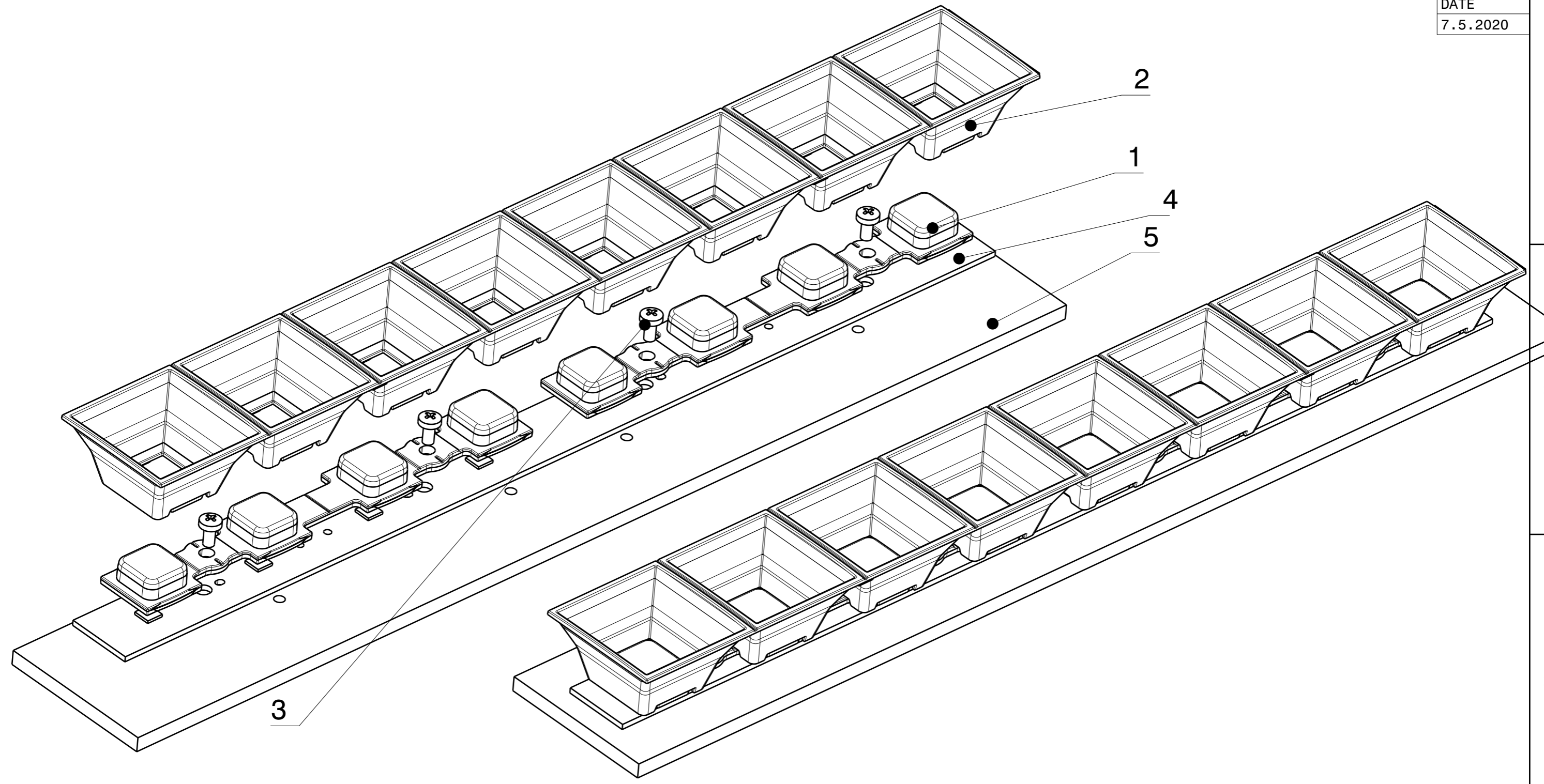
LEDiL[®]

This drawing is the property of LEDiL Oy. It may not be copied or otherwise distributed without prior written permission from LEDiL Oy.

A3 SHEET 1/1

Notes

	PCB or heatsink level.
	LED location
	Ensure LED fitting from a product specific 3D model available from www.ledil.com
	For more details about installation please see LEDiL Installation Guide on www.ledil.com



INDEX	PART	TYPE	COLOR / COATING	Qty
1	C17819_DAISY-4X1-M-US	LENS	CLEAR	2
2	DAISY-8x1-SHD	SHD		
	C17171_DAISY-8X1-SHD-MATT	SHD	BLACK, MATT	
	C17172_DAISY-8X1-SDH-MATT-WHT	SHD	WHITE, MATT	
	C17534_DAISY-8X1-SHD-MET-MATT	SHD	METAL, MATT	
3	M3 SCREW	-	-	
4	PCB	-	-	
5	PROFILE	-	-	

MECHANICAL DRAWING		LEDiL®
PRODUCT DAISY-8X1-M		
Plastic moulding general tolerances according to DIN 16901-130 and applies if not otherwise shown in the drawing. Silicone moulding general tolerances according to ISO 3302-1 Class M3 and applies if not otherwise shown in the drawing.	FIRST ANGLE PROJECTION: 	This drawing is the property of LEDiL Oy. It may not be copied or otherwise distributed without prior written permission from LEDiL Oy.
SCALE -	WEIGHT -	