

MODEL: CEP-2280 | **DESCRIPTION:** PIEZO BUZZER INDICATOR**FEATURES**

- wire leads with panel-mount tabs
- 12 Vdc rating
- modulating tones

**SPECIFICATIONS**

parameter	conditions/description	min	typ	max	units
rated voltage			12		Vdc
operating voltage		6		18	Vdc
current consumption	at rated voltage			17	mA
rated frequency		2,500		3,800	Hz
sound pressure level	at 30 cm, rated voltage	88			dB
tone	modulating tones				
dimensions	Ø32.0 x 23.0				mm
weight				13.20	g
material	ABS UL94 1/16" HB (black)				
terminal	wire leads				
operating temperature		-20		60	°C
storage temperature		-30		70	°C
RoHS	yes				

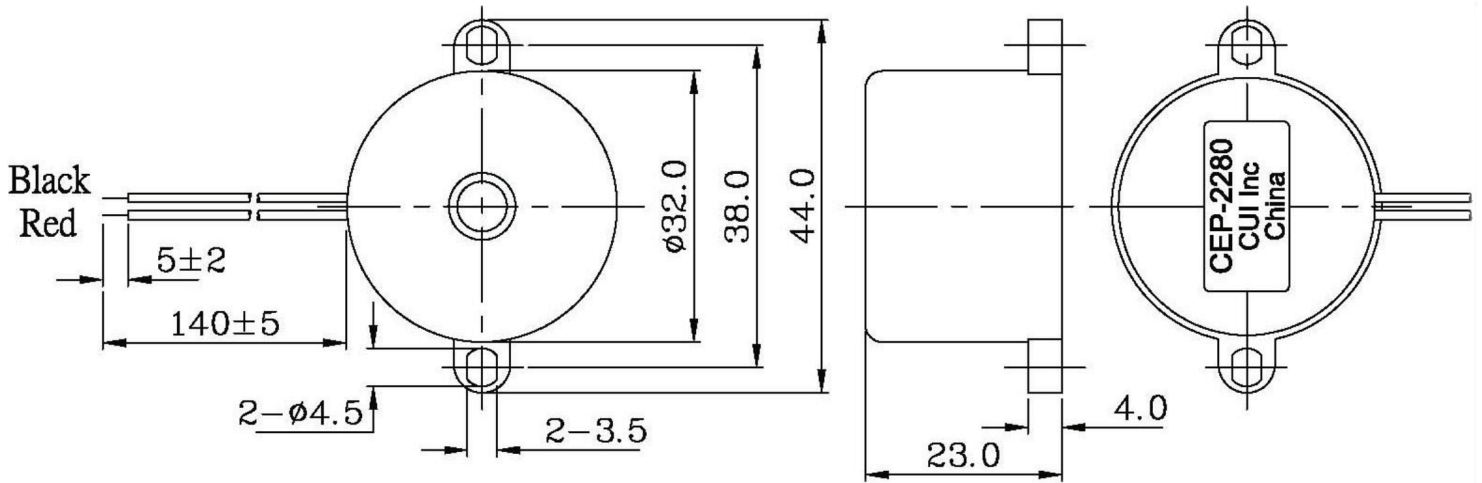
Notes: 1. All specifications measured at 5~35°C, humidity at 45~85%, under 86~106kPa pressure, unless otherwise noted.

MECHANICAL DRAWING

units: mm

tolerance: ±0.5 mm

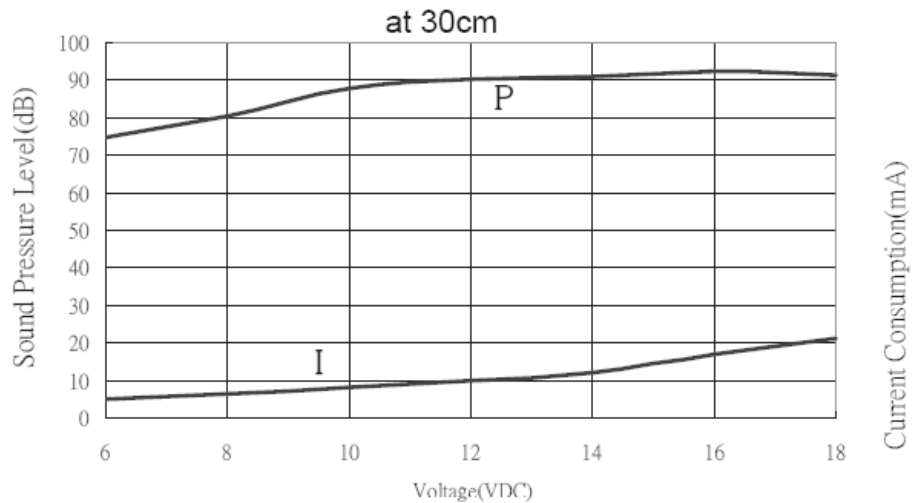
wire: UL1095 LF 28AWG



PERFORMANCE CURVES

P: Voltage vs. Sound Pressure Level

I: Voltage vs. Current Consumption



REVISION HISTORY

rev.	description	date
1.0	initial release	09/22/2006
1.01	brand update	04/23/2020

The revision history provided is for informational purposes only and is believed to be accurate.

CUI DEVICES

CUI Devices offers a one (1) year limited warranty. Complete warranty information is listed on our website.

CUI Devices reserves the right to make changes to the product at any time without notice. Information provided by CUI Devices is believed to be accurate and reliable. However, no responsibility is assumed by CUI Devices for its use, nor for any infringements of patents or other rights of third parties which may result from its use.

CUI Devices products are not authorized or warranted for use as critical components in equipment that requires an extremely high level of reliability. A critical component is any component of a life support device or system whose failure to perform can be reasonably expected to cause the failure of the life support device or system, or to affect its safety or effectiveness.