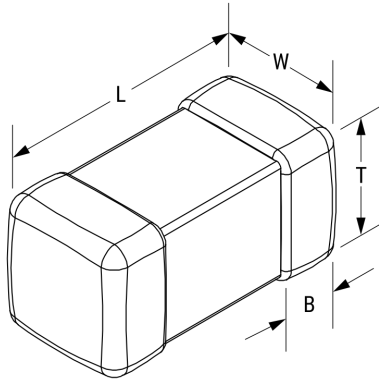


## L0603C1R8KSMST

Aliases (L0603C1R8KSMST)

Obsolete

KEMET, L-SMS, Commercial Grade, 1.8 uH, 10%



Click [here](#) for the 3D model.

### Dimensions

Chip Size	0603
L	1.6mm +/-0.15mm
W	0.8mm +/-0.15mm
T	0.8mm +/-0.15mm
LL	0.3mm +/-0.2mm
B	0.3mm +/-0.2mm

### Packaging Specifications

Packaging	T&R
Packaging Quantity	4000

### General Information

Series	L-SMS
Style	SMD Chip
Description	Shielded, Surface Mount Inductor
Features	Standard Type
RoHS	Yes
Core	Ceramic
Winding Type	Multilayer
Notes	Suggested Replacement - <a href="https://www.chilisin.com/en-global/Inductor/Product/BSCL_160808/BSCL001608081R8K00">https://www.chilisin.com/en-global/Inductor/Product/BSCL_160808/BSCL001608081R8K00</a> .

### Specifications

Inductance	1.8 uH
Inductance Tolerance	10%
Temperature Range	-40/+85°C
Current	25 mAmps (MAX)
DC Resistance	0.95 Ohms
Quality Factor	35 at 10 MHz
Self-Resonant Frequency	50 MHz