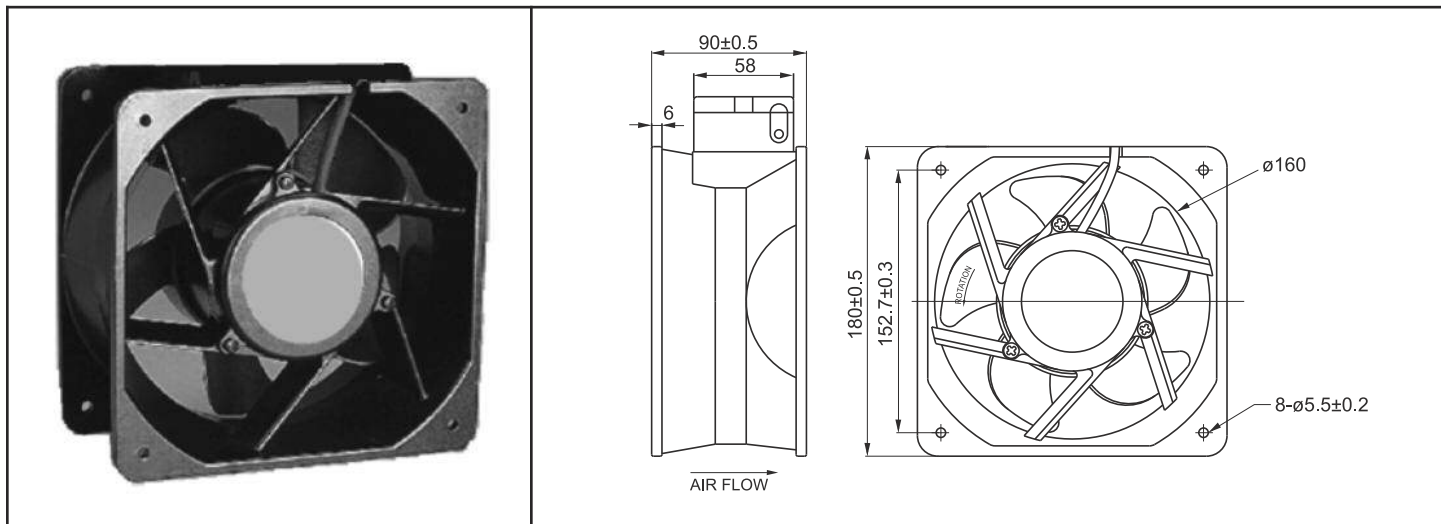


OA180AP-22-1TB IP55



AC Fan - 230V
180 x 90mm (7.1" x 3.5")



Frame	Diecast Aluminum	<u>Operating Temperature</u> -20C ~ +80C <u>Life Expectancy</u> Ball Bearing 60,000 hours (L10 at 40C) Rated IP55 Class B insulation Weight: ~ 4.0 lbs. m2	
Impeller	PBT, UL94V-O plastic		
Connection	Terminals		
Motor	AC Capacitor, Impedanca and thermally protected		
Bearing System	Dual ball bearing		
Insulation Resistance	>100M ohm between lead-wire and frame (500VDC)		
Dielectric Strength	1 min at 1,500 VAC, 50/60Hz		

Model Number	OA180AP-22-1TB-IP55
Part Number	218615302
Nominal Voltage	230
Voltage Range	120 ~ 260 VAC
Rated Current	0.32 A (1.01 A locked)
Rated Power	72 W
Rated Speed (RPM)	3,400
Airflow - CFM	460
Noise Level - (dB)	59
Max. Static Pressure	1.1" H ₂ O