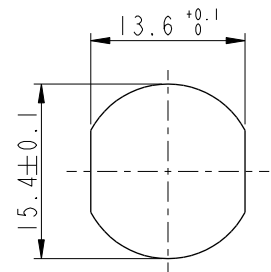


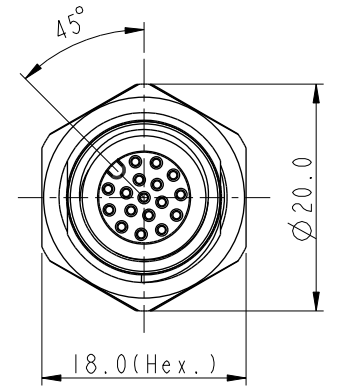
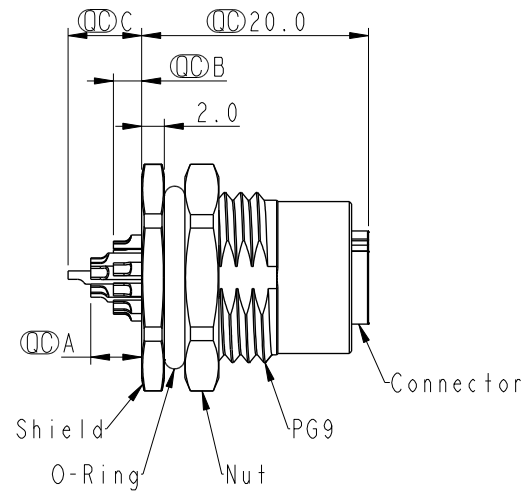
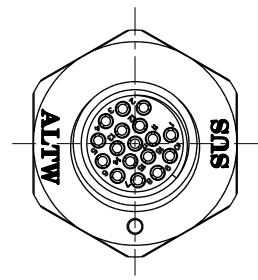
THIS DOCUMENT IS SUBJECT TO CHANGE WITHOUT NOTICE. IT IS CONFIDENTIAL AND A PROPERTY OF Amphenol LTW. DISCLOSURE TO THIRD PARTY HAS TO BE AUTHORIZED BY Amphenol LTW.

REV.	ECN NO.	DATE	SIGN	DESCRIPTION
A		2021-08-13	Allen Pan	Rev.02 To Rev.A



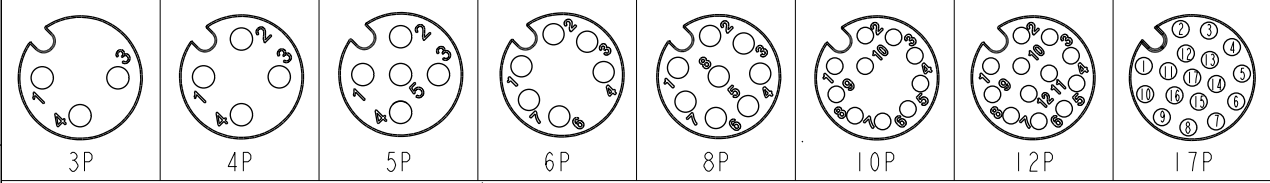
SMI2A-XXPFFS-SF8001  
 XX: No. Of Pin

Recommended Panel Cut-Out



SMI2A-03PFFS-SF8001		2.5	
SMI2A-04PFFS-SF8001		2.5	
SMI2A-05PFFS-SF8001		2.5	
SMI2A-06PFFS-SF8001		2.5	
SMI2A-08PFFS-SF8001		2.5	
SMI2A-10PFFS-SF8001	4.5	2.5	
SMI2A-12PFFS-SF8001	4.5	2.5	
SMI2A-17PFFS-SF8001	4.5	2.5	6.5
Item No.	A	B	C
	Pin伸出長度		

Note:  
 \* RoHS Compliant  
 \* (CC) Important dimension  
 \* Waterproof rate: IPX8, unmated 1m/24h  
 IPX9K, unmated  
 \* Connector  
 Housing: Thermoplastic, Black  
 Pin: Copper alloy, Gold plated  
 O-Ring: Rubber, Green  
 \* Shield: Metal  
 \* Nut: Metal  
 \* O-Ring: Rubber, Black  
 \* For panel thickness max: 4.5mm  
 \* Nut is packed separately in pe bag



Pin Assignment Front View

UNIT: mm			TITLE N SEN, M12 A-STAINLESS, SCREW RECEPTACLE, F, F, SOLDER
TOLERANCE .X ±0.25 .XX ±0.1 .XXX ±0.05 ANGLES ±1°	SCALE 3:2	SIZE A4	SHEET 1 OF 1
REV. A	WC-REV. A.1	(CC): Inspection item	

**Amphenol LTW**  
 安費諾亮泰企業股份有限公司

ITEM NO.	DRAWN BY Allen Pan	DATE 2021-08-13
DWG NO. SMI2A-XXPFFS-SF8001	CHECKED BY Sam Ho	DATE 2021-08-13
CUSTOMER ALTW	APPROVED BY Fred Lee	DATE 2021-08-13