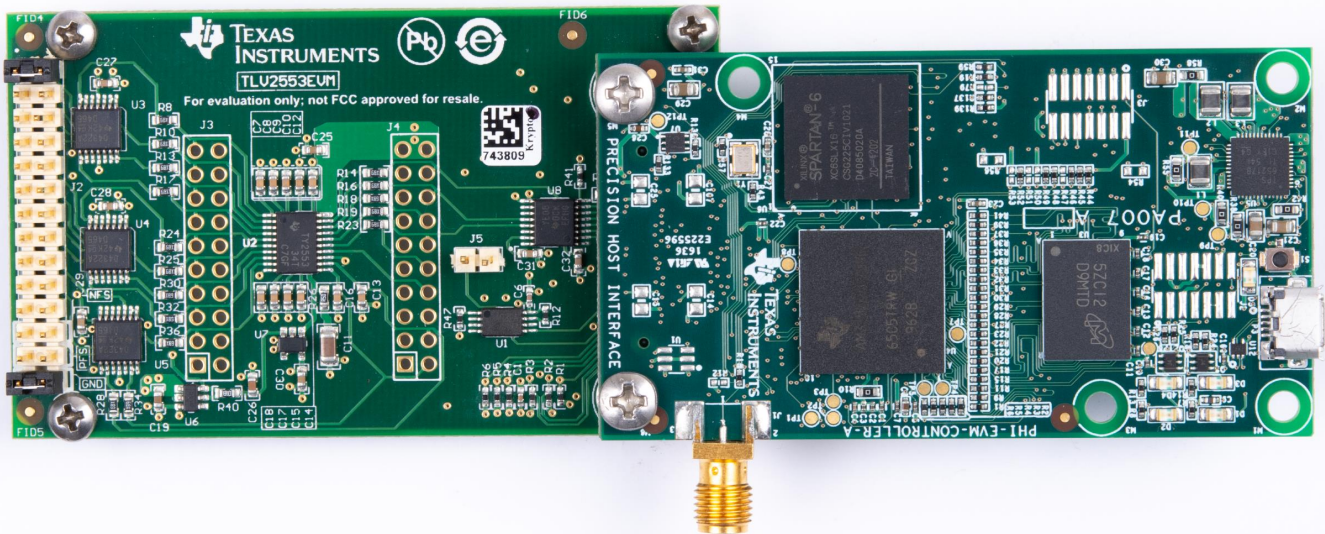


TLV2553EVM-PDK Evaluation Module



This user's guide describes the characteristics, operation, and use of the TLV2553EVM performance demonstration kit (PDK). This kit is an evaluation platform for the [TLV2553](#), which is a 12-bit, 200-kSPS, successive approximation register (SAR), analog-to-digital converter (ADC) that features an 11-channel analog input multiplexer and a serial SPI™ digital output interface. The EVM eases the evaluation of the TLV2553 device with hardware and software for computer connectivity through the universal serial bus (USB) interface. This user's guide includes complete circuit descriptions, schematic diagrams, and a bill of materials.

The following related documents are available through the Texas Instruments web site at www.ti.com.

Related Documentation

Device	Literature Number
TLV2553	SLAS354
OPA4322	SBOS538
OPA320	SBOS513
REF3240	SBVS058
TXB0106	SCES709
TPS7A4901	SBVS121

Contents

1	Overview	3
	1.1 TLV2553EVM-PDK Features.....	3
	1.2 TLV2553EVM Features	3
2	EVM Analog Interface	4
	2.1 ADC Analog Input Signal Path	4
	2.2 Onboard ADC Reference	5
3	Digital Interfaces	5
	3.1 SPI for ADC Digital IO	5
4	Power Supplies	6
5	TLV2553EVM-PDK Initial Setup	6
	5.1 Default Jumper Settings	6
	5.2 Connectors J3 and J4	7
	5.3 EVM Graphical User Interface (GUI) Software Installation.....	7
6	TLV2553EVM-PDK Operation	10
	6.1 EVM GUI Global Settings for ADC Control	11
	6.2 Data Capture Tool.....	12
	6.3 Histogram Tool	12
	6.4 Performance (or FFT) Analysis Tool.....	14
7	Bill of Materials, PCB Layout, and Schematics.....	15

List of Figures

1	Input Signal Path Schematic (Single Channel)	4
2	Onboard Reference Signal Path.....	5
3	TLV2553EVM Default Jumper Settings.....	6
4	TLV2553 Software Installation Prompts	7
5	Device Driver Installation	8
6	LabVIEW Run-Time Engine Installation	9
7	TLV2553EVM-PDK Installation Final Step	9
8	EVM-PDK Hardware Setup and LED Indicators	10
9	Launch the EVM GUI Software.....	10
10	EVM GUI Global Input Parameters	11
11	Multichannel Acquisition and Data Export Options	12
12	Histogram Tool Input Channel Selection.....	13
13	FFT Tool Input Parameters	14
14	TLV2553EVM PCB Layer 1: Top Layer	16
15	TLV2553EVM PCB Layer 2: GND Plane	16
16	TLV2553EVM PCB Layer 3: Power Planes	17
17	TLV2553EVM PCB Layer 4: Bottom Layer	17
18	Schematic Diagram of the TLV2553EVM PCB.....	18

List of Tables

1	JP1 - JP2: Analog Interface Connections	4
2	TLV2553EVM Bill of Materials	15

Trademarks

Windows is a registered trademark of Microsoft, Corp.
 SPI is a trademark of Motorola Mobility LLC.
 All other trademarks are the property of their respective owners.

1 Overview

The TLV2553EVM-PDK is a platform for evaluating the performance of the TLV2553 SAR ADC. The evaluation kit includes the TLV2553EVM board, the precision host interface (PHI) board, and accompanying computer software that enables the user to communicate with the ADC over USB, capture data, and perform data analysis.

The TLV2553EVM board includes the TLV2553 SAR ADC and all the peripheral circuits and components necessary to extract good performance from the ADC.

The PHI board primarily serves three functions:

- Provides a communication interface from the EVM to the computer through a USB port.
- Provides the digital input and output signals necessary to communicate with the TLV2553EVM.
- Powers all active circuitry on the TLV2553EVM board.

Along with the TLV2553EVM and PHI controller board, this demonstration kit includes an A-to-micro-B USB cable that is required for system setup.

1.1 TLV2553EVM-PDK Features

- Includes hardware and software required for diagnostic testing as well as accurate performance evaluation of the TLV2553 ADC.
- No external power supply is necessary.
- Ships with the PHI controller that provides a convenient interface to the EVM over a USB 2.0 (or higher) for power delivery as well as digital input and output.
- Easy-to-use evaluation software for all Windows® operating systems.
- The software suite includes graphical tools for multichannel data capture, output code histogram generation, and FFT analysis, as well as a provision for exporting data to a text file for post-processing.

1.2 TLV2553EVM Features

- Onboard, precision, op-amp buffers on every analog input channel to support a high input impedance (1 M Ω) and a low impedance ADC drive for optimal performance.
- Options for driving buffer inputs close to full-scale or 0 V using onboard dc voltage sources.
- Onboard precision voltage reference and low-impedance ADC reference drive circuit.
- Includes a +5-V low-dropout regulator (LDO) to regulate supply voltages to the ADC and drive circuits.
- Includes a 5-V to 3.3-V bidirectional digital level translator to interface with the host controller.

2 EVM Analog Interface

At a system level, the analog portion of the TLV2553 consists of the 11 analog input channels and the dc reference voltage input. As with most SAR ADCs, the analog inputs of the TLV2553 are not high-impedance ports. These inputs terminate in switched-capacitor networks that draw load current when the switches are closed. The dynamic nature of the load currents produces dynamic errors in the corresponding input voltage signals and ADC accuracy can degrade if these errors are not managed carefully. Low source impedance is critical to minimizing these errors; minimizing source impedance requires careful design of the ADC input signal paths.

2.1 ADC Analog Input Signal Path

The 11 analog input signal paths are designed so that the ADC provides accurate results even with signal sources that have relatively high output impedance. The schematic (for one channel) is shown in [Figure 1](#).

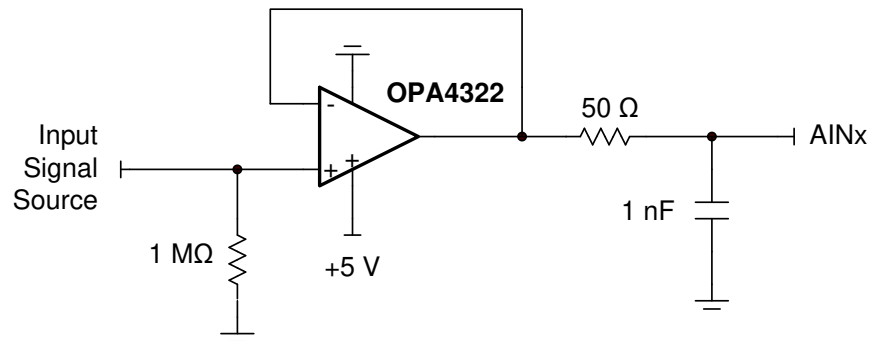


Figure 1. Input Signal Path Schematic (Single Channel)

The OPA4322 unity-gain buffers individually decouple the input signal source on each channel from the ADC input load current. The buffer inputs are pulled down to GND by the 1-MΩ resistors to ensure safe and predictable operating conditions on the board even when the inputs are left floating. Of course, the tradeoff with this approach is that the EVM analog input impedance is lower (only 1 MΩ) but the inputs can still support a wide range of source impedances without introducing significant gain error.

The buffered ADC inputs are accessible through the even-numbered pins of J2 (that is, J2.Pin2 through J2.Pin22). The odd-numbered pins of J2 (J2.Pin1 through J2.Pin27) are shorted together on the board and must be jumpered to any one of the even-numbered pins marked *GND* (J2.Pin28), *PFS* (J2.Pin26), or *NFS* (J2.Pin24), depending on whether the ADC inputs must be driven from an external source (such as a function generator, sensor, and so forth) or by one of the onboard sources.

Note that J2.Pin24 and J2.Pin26 are the outputs of the onboard dc voltage sources and have nominal values of approximately 100 mV and 4 V, respectively. These pins are useful for debugging any gross problems with the op-amp buffers or the ADC. However, for default operation (that is, inputs are from external sources), the odd-numbered pins of J2 must be connected to J2.Pin28 (GND). The jumper settings for J2 are summarized in [Table 1](#).

Table 1. JP1 - JP2: Analog Interface Connections

ADC Input	Value	J2.Pin24 ↔ J2.Pin23	J2.Pin26 ↔ J2.Pin25	J2.Pin28 ↔ J2.Pin27
External	Any	Open	Open	Closed
PFS	4 V	Open	Closed	Open
NFS	100 mV	Closed	Open	Open

NOTE: In addition to configuring J2 according to [Table 1](#), install shunts at the locations corresponding to the appropriate input channels as well.

2.2 Onboard ADC Reference

The EVM does not include a provision for driving the reference input of the TLV2553 from an external source. The reference input signal path is entirely self-contained on the TLV2553EVM and consists of the REF3240, a 4.096-V precision voltage reference whose output is heavily low-pass filtered and buffered by the OPA320, a precision op amp that has low output impedance over a sufficiently wide frequency range. The schematic is shown in [Figure 2](#).

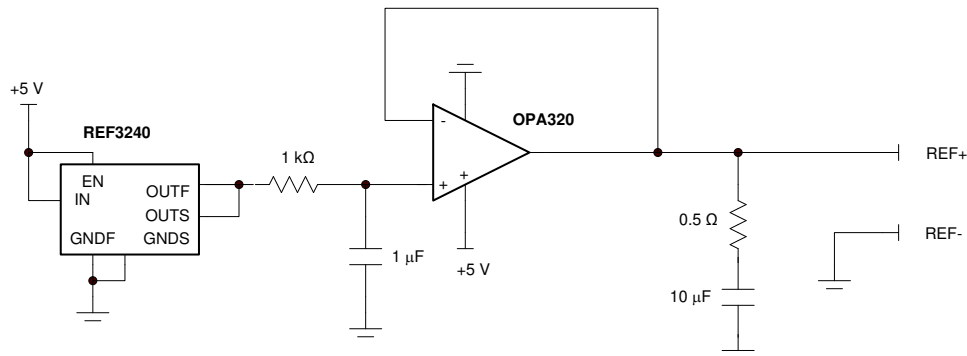


Figure 2. Onboard Reference Signal Path

The 10- μ F ceramic capacitor at the output of the OPA320 provides additional load decoupling and effectively lowers the output impedance of the reference drive circuit at high frequencies.

3 Digital Interfaces

As noted in [Section 1](#), the EVM interfaces with the PHI that, in turn, communicates with the computer over USB. There are two devices on the EVM with which the PHI communicates: the ADC (over SPI) and the EEPROM (over I²C). The EEPROM comes pre-programmed with the information required to configure and initialize the TLV2553EVM-PDK platform. When the hardware is initialized, the EEPROM is no longer used.

3.1 SPI for ADC Digital IO

The TLV2553EVM-PDK supports all three ADC interface modes (8-, 12-, and 16-bit modes), as detailed in the [TLV2553](#) data sheet. MSB- or LSB-first options are also supported. An important note concerning the TLV2553 that is not clarified in the TLV2553 datasheet is that in 16-bit, LSB-first mode the four MSBs of the DATA OUT word are zeroes (compare this with Figure 37 of the TLV2553 datasheet).

The EVM uses a 5-V supply for powering the TLV2553, and therefore the ADC digital I/O interface operates on 5-V logic levels. However, the PHI requires 3.3-V logic levels for proper operation, and for this reason the EVM includes the TXB0106 (U8), a 5-V to 3.3-V bidirectional level translator.

The digital I/O lines also include 50- Ω series resistors to minimize ringing and delay mismatches between the SPI interface signals.

4 Power Supplies

The PHI provides multiple power-supply options for the EVM, derived from the computer USB supply.

The EEPROM on the TLV2553EVM uses a common 3.3-V power supply and the digital level translator uses a separate 3.3-V supply (both directly from the PHI). On the other hand, the ADC and analog input drive circuits are powered by the TPS7A4901 onboard the EVM, which is a low-noise linear regulator that uses the 5-V supply out of a switching regulator on the PHI to generate a much cleaner 5-V output.

The power supply for each active component on the EVM is bypassed with a ceramic capacitor placed close to that component. Additionally, the EVM layout uses thick traces or large copper fill areas where possible between bypass capacitors and their loads to minimize inductance along the load current path.

5 TLV2553EVM-PDK Initial Setup

This section explains the initial hardware and software setup procedure that must be completed for properly operating the TLV2553EVM-PDK.

5.1 Default Jumper Settings

Upon unpacking, the EVM is already configured with default jumper settings. J5 must be open and J2 must have shunts installed at the locations shown in [Figure 3](#).

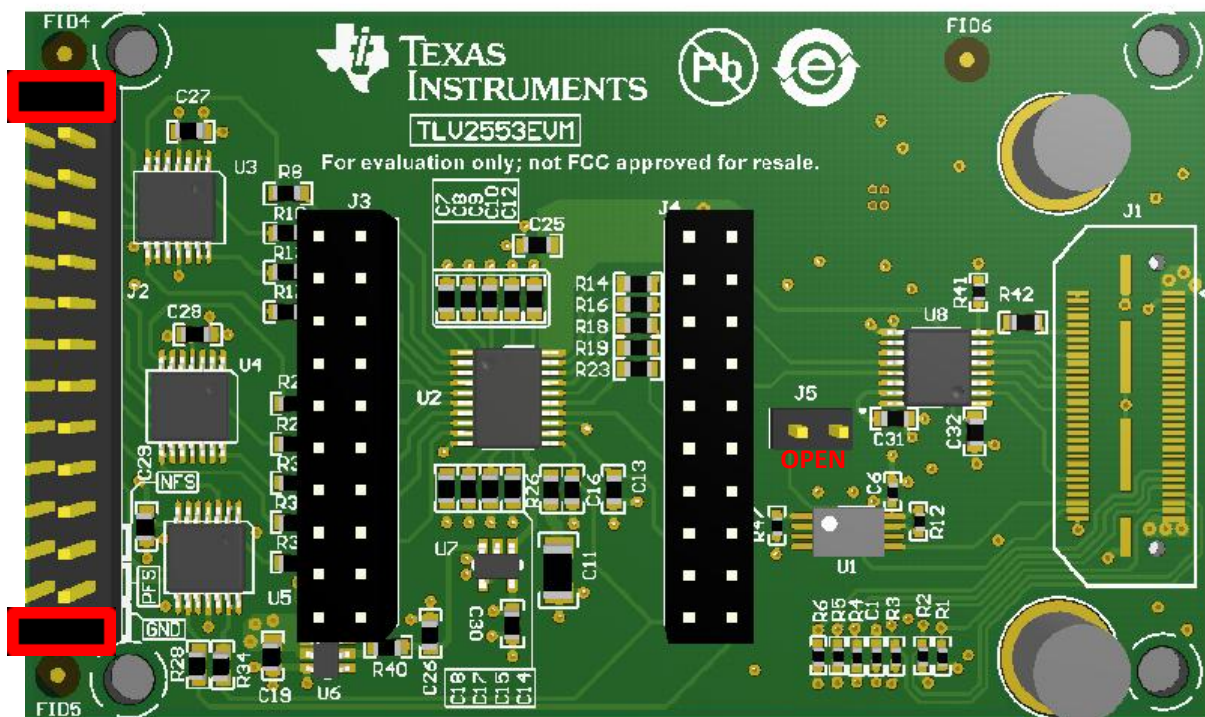


Figure 3. TLV2553EVM Default Jumper Settings

5.2 Connectors J3 and J4

J3 and J4 are for TI internal use only and are not installed by default. However, their pins can be used as test points (that is, for meter hookups only).

CAUTION

Do not drive the J3 or J4 pins with external voltage sources. Doing so may cause damage to the onboard sources.

5.3 EVM Graphical User Interface (GUI) Software Installation

The following steps describe how to install the software for the TLV2553 EVM graphical user interface (GUI).

1. Download the latest version of the EVM GUI installer from the *Tools and Software* folder of the TLV2553EVM-PDK, and run the GUI installer to install the EVM GUI software on your computer.
2. Accept the license agreements as shown in [Figure 4](#) and follow the onscreen instructions to complete the installation.

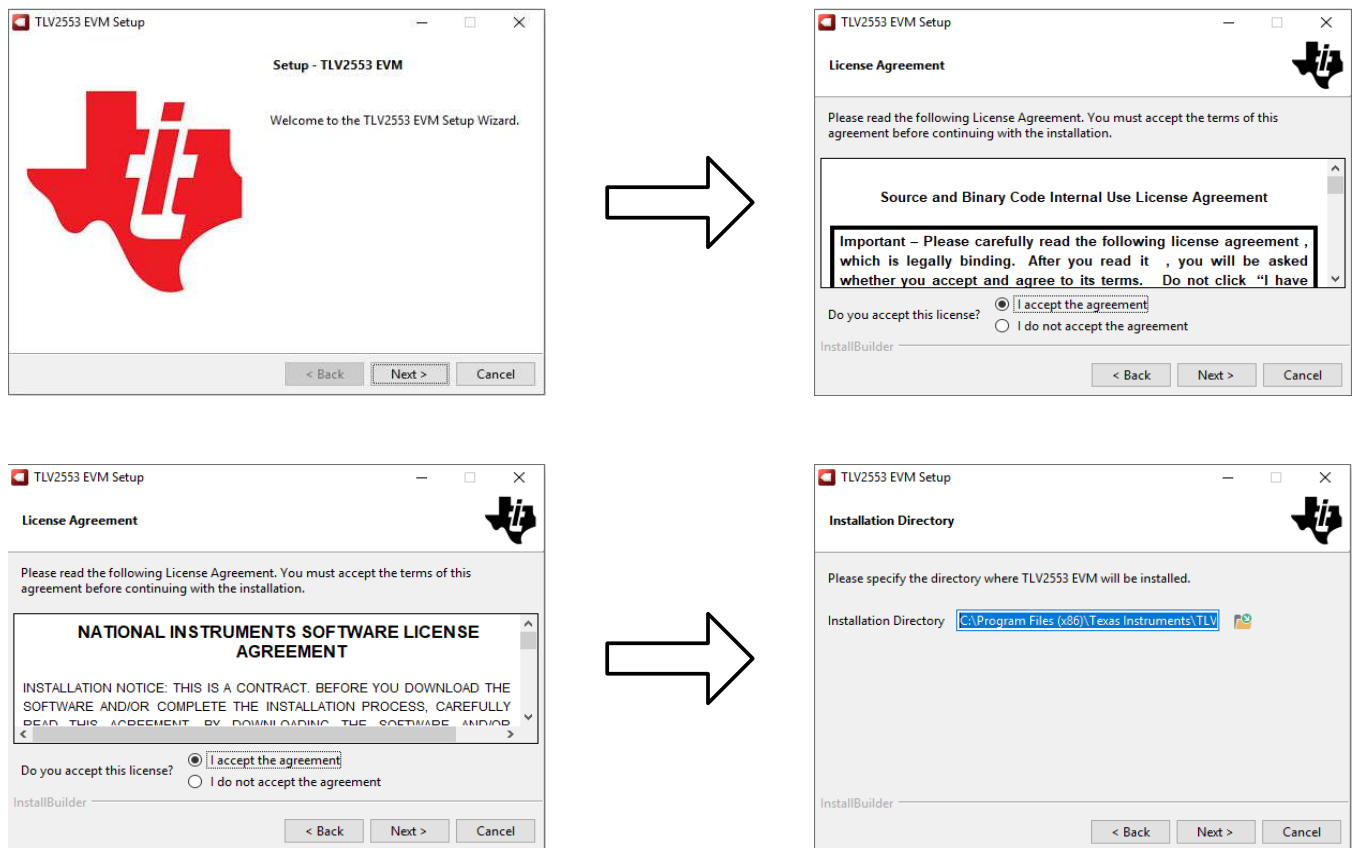


Figure 4. TLV2553 Software Installation Prompts

- As a part of the TLV2553EVM GUI installation, a prompt with a device driver installation wizard shown in [Figure 5](#) appears on the screen. Click the *Next* button to proceed, then click the *Finish* button when the installation is complete.

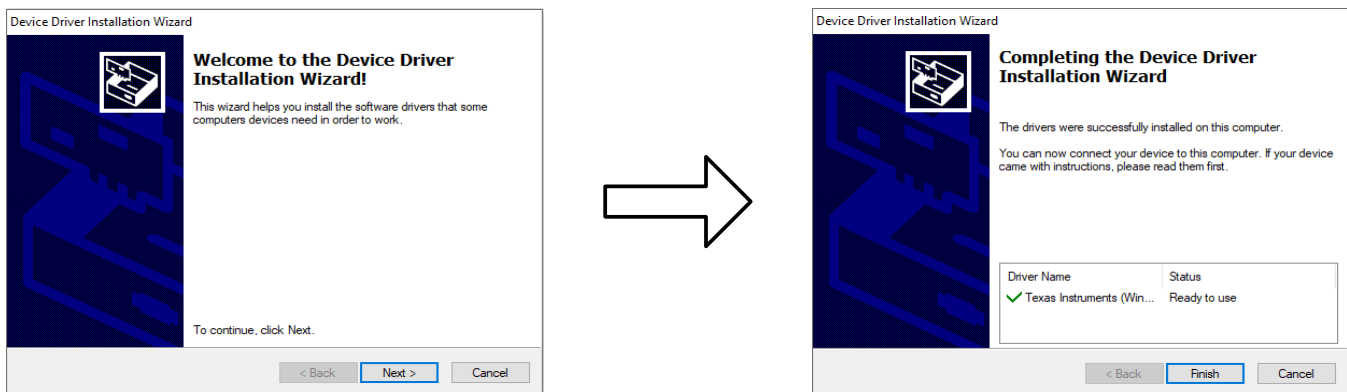


Figure 5. Device Driver Installation

NOTE: A notice may appear on the screen stating that Windows cannot verify the publisher of this driver software. Select the *Install this driver anyway* option.

The device requires the LabVIEW run-time engine (Figure 6) and may prompt for the installation of this software, if not already installed.

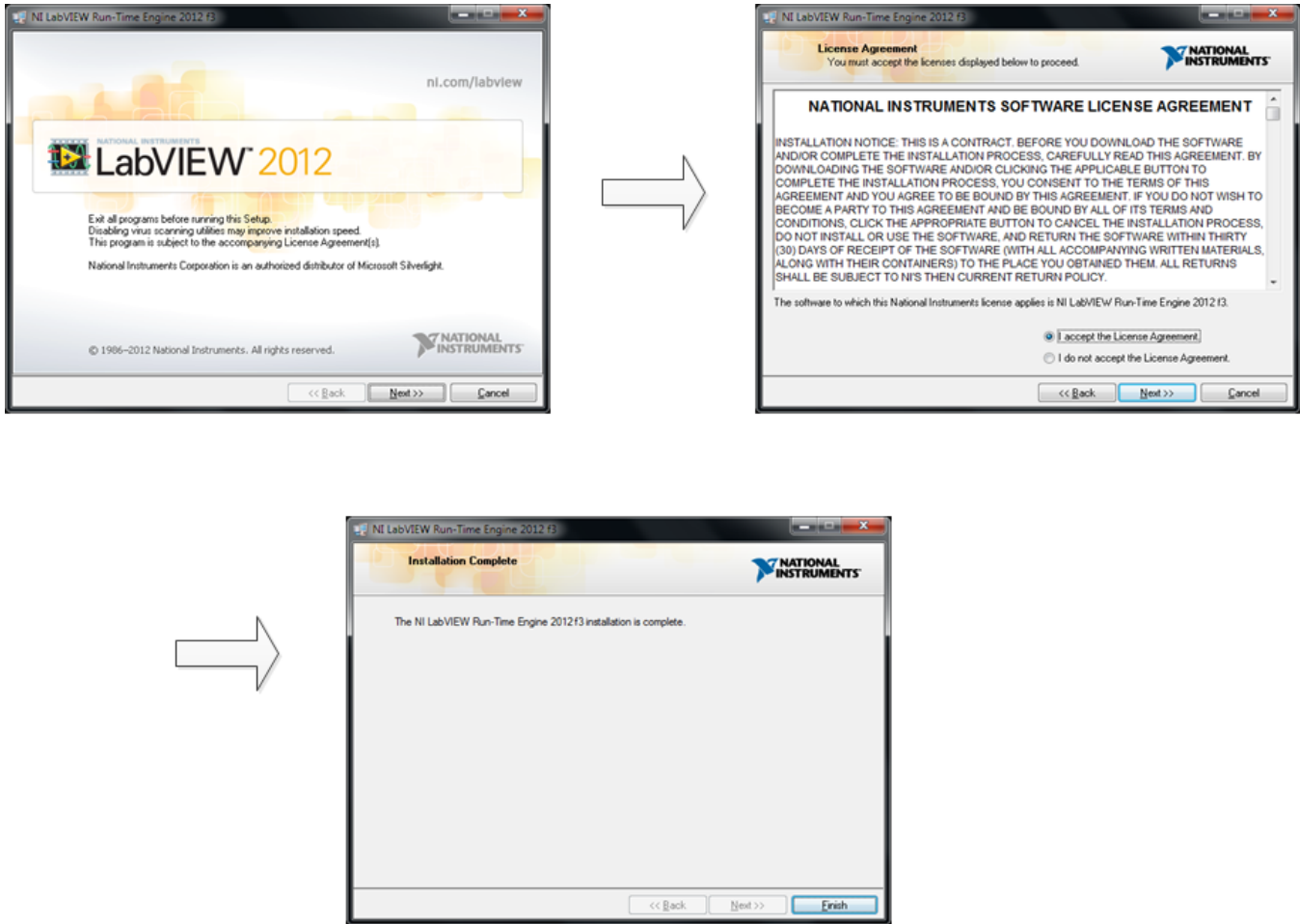


Figure 6. LabVIEW Run-Time Engine Installation

4. If you would like a Desktop shortcut, check the *Create Desktop Shortcut* box, as shown in Figure 7.

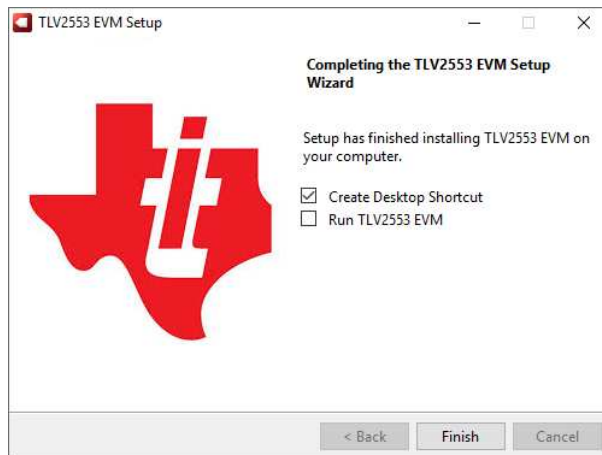


Figure 7. TLV2553EVM-PDK Installation Final Step

6 TLV2553EVM-PDK Operation

The following instructions are a step-by-step guide to connecting the TLV2553EVM-PDK to the computer and evaluating the performance of the TLV2553:

1. Ensure that no SD card is installed in the SD card slot J6. The SD card is not required to boot up the TLV2553EVM-PDK with the PHI.
2. Connect the TLV2553EVM to the PHI, and install the two screws, as indicated in [Figure 8](#).
3. Use the USB cable provided to connect the PHI to the computer.
 - LED D5 on the PHI lights up, indicating that the PHI is powered up.
 - LEDs D1 and D2 of the PHI starts blinking to indicate that the PHI is communicating with the EVM. The resulting LED indicators are shown in [Figure 8](#).

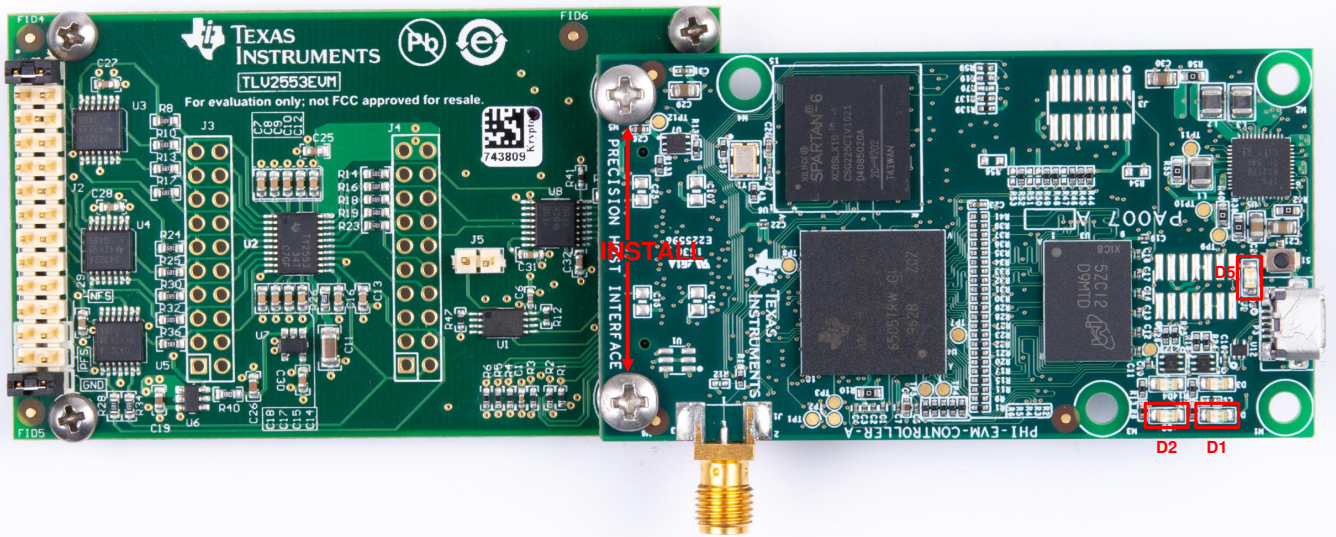


Figure 8. EVM-PDK Hardware Setup and LED Indicators

4. Double-click on the *TLV2553 EVM.exe* file to launch the TLV2553EVM-PDK GUI software. The TLV2553EVM GUI software folder is shown in [Figure 9](#).

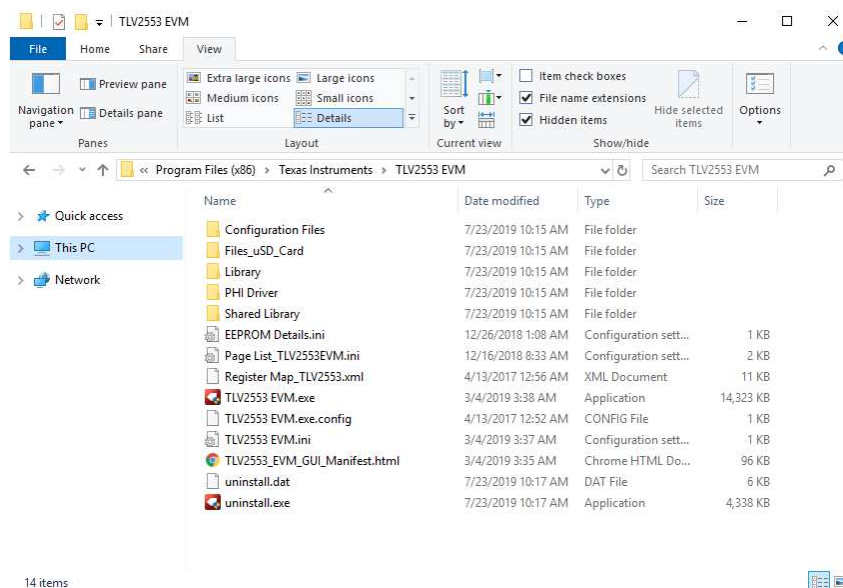


Figure 9. Launch the EVM GUI Software

6.1 EVM GUI Global Settings for ADC Control

Although the EVM GUI does not allow direct access to the levels and timing configuration of the ADC digital interface, the EVM GUI does give users high-level control over virtually all functions of the TLV2553 (such as interface modes, sampling rate, input channel selection, and number of samples per channel). Only the software power-down and output format control are not supported.

Figure 10 identifies the input parameters of the GUI (as well as their default values) through which the various functions of the TLV2553 can be exercised. These are global settings because they persist from one tool to another (or from one page to another).

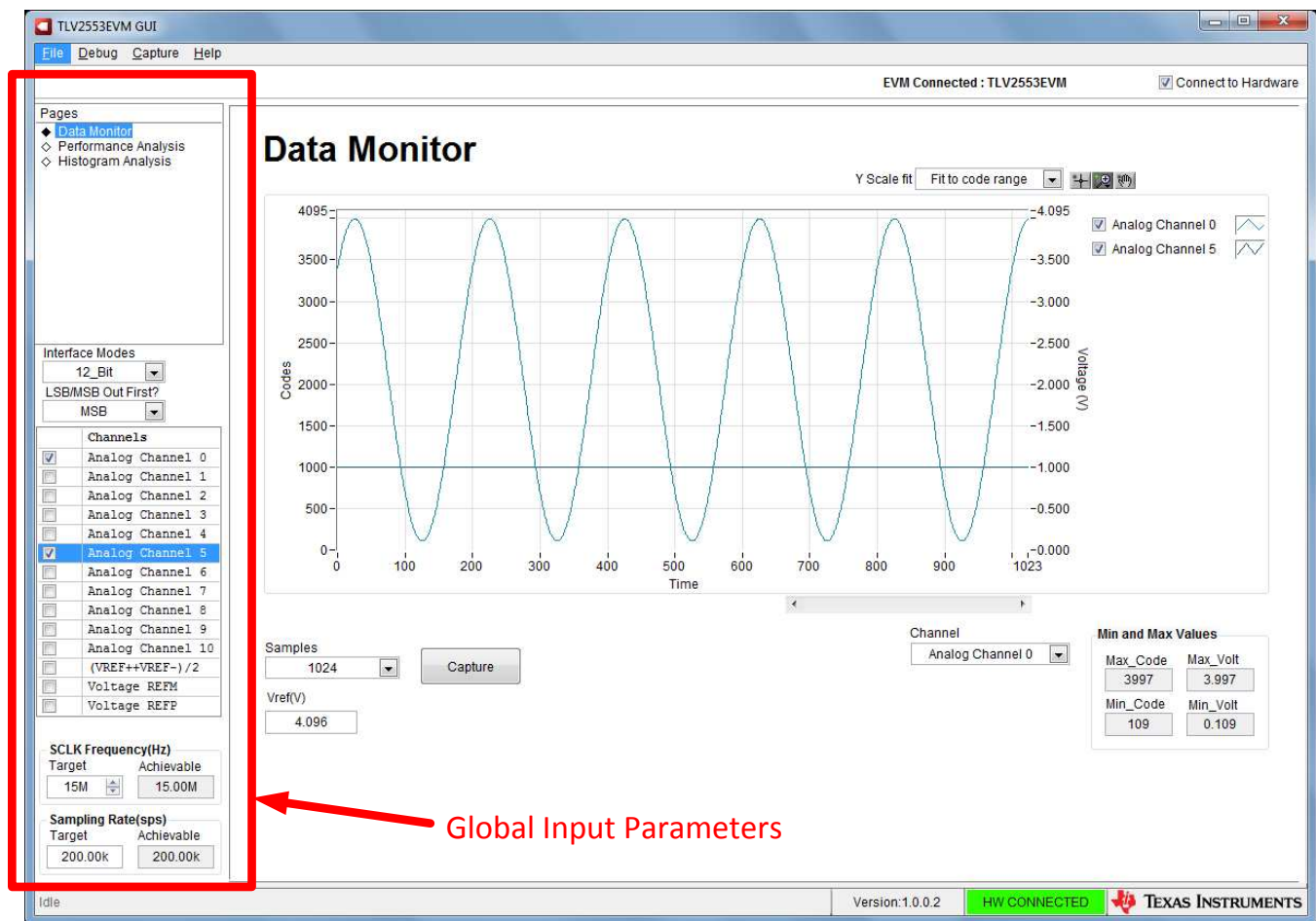


Figure 10. EVM GUI Global Input Parameters

NOTE: The GUI allows multiple input channels to be addressed, one at a time. However, channel addressing is performed only in ascending order. There is no provision for users to specify a desired channel scanning order.

NOTE: The last three of the 14 analog input channels are the internal self-test inputs, command register (CMR) addresses 11 through 13, as described in Table 2 of the TLV2553 data sheet.

Section 6.2 and Section 6.3 describe the data collection and analysis features of the EVM GUI.

6.2 Data Capture Tool

The data capture tool allows visualization of the ADC transient response. This tool is useful for debugging any gross problems with the ADC or drive circuits.

The tool allows ADC conversion data corresponding to multiple input channels to be overlaid on the same set of axes. As shown in Figure 11, channel 0 has a full-scale sinusoidal input signal applied to it and channel 5 is at a constant 1 V.

The sample indices are on the x-axis and there are two y-axes showing the corresponding output codes as well as the equivalent analog voltages based on the specified reference voltage. In addition, raw data can be exported to a text file, as shown in Figure 11.

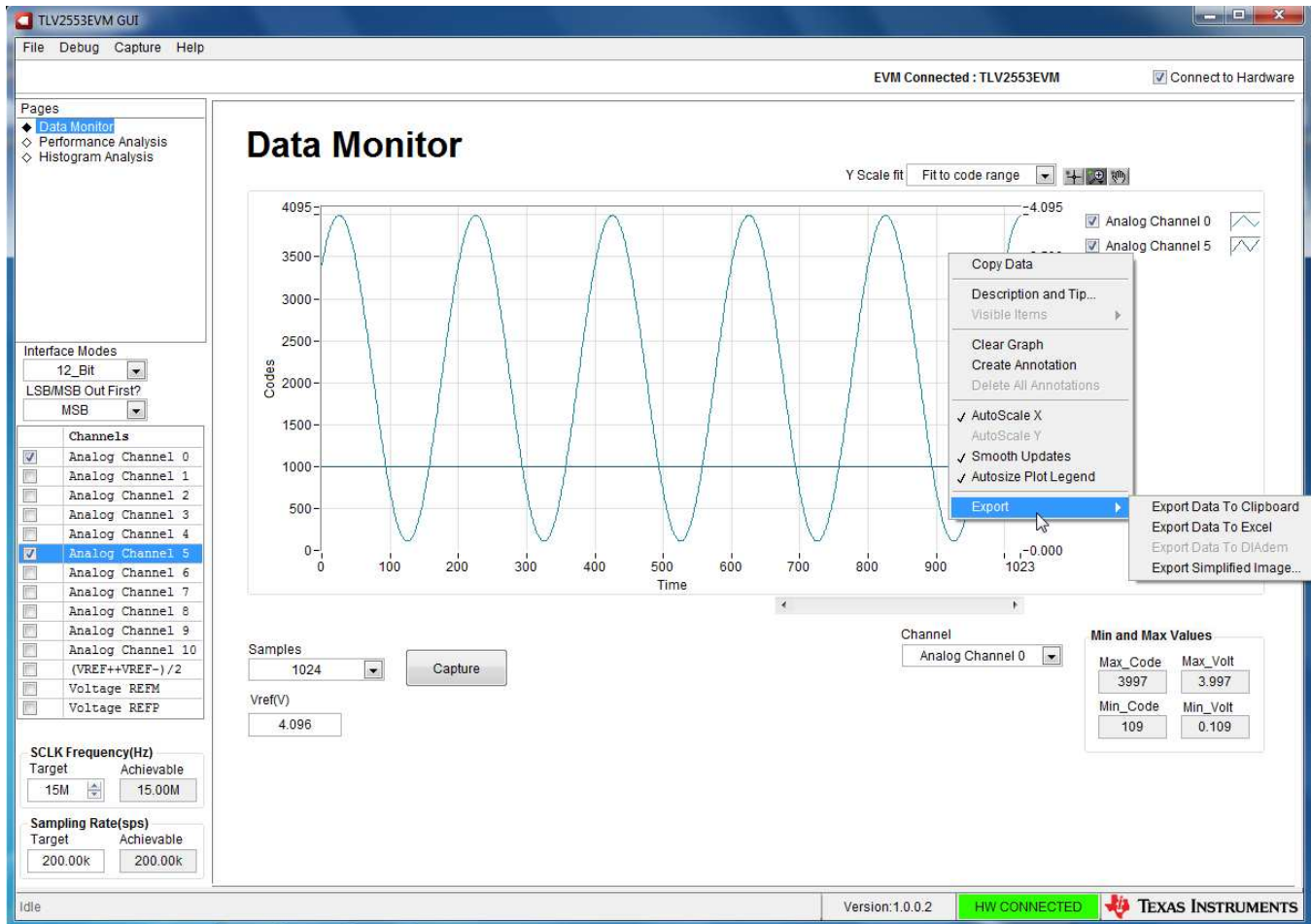


Figure 11. Multichannel Acquisition and Data Export Options

6.3 Histogram Tool

Noise degrades ADC resolution and the histogram tool can be used to estimate *effective resolution*, which is an indicator of the number of bits of ADC resolution lost resulting from noise generated by the various sources connected to the ADC when measuring a dc signal. The cumulative effect of noise coupling to the ADC output from sources such as the input drive circuits, the reference drive circuit, the ADC power supply, and the ADC itself is reflected in the standard deviation of the ADC output code histogram that is obtained by performing multiple conversions of a dc input applied to a given channel. In other words, the histogram standard deviation (σ_{DC}) is equivalent to the RMS value of the ADC output noise (NRMS_ADCOUT) for a dc input, as described in Equation 1:

$$N_{RMS_ADCOUT} = \sigma_{DC} \rightarrow (1)$$

Effective resolution can then be computed by definition, as shown in Equation 2:

$$\text{Effective Resolution (bits)} = 12 - \text{LOG}_2(N_{\text{RMS_ADCOUT}}) = 12 - \text{LOG}_2(\sigma_{\text{DC}}) \rightarrow (2)$$

Note that in the case of the TLV2553EVM, the onboard ADC drive circuits and power supply are all optimized for a low noise contribution. Therefore, assuming the EVM analog inputs are driven by low-noise dc voltage sources, the ADC RMS output noise is dominated by the intrinsic thermal noise of the TLV2553 itself, which is generally less than 1-LSB RMS. As a result, Equation 2 produces a value of effective resolution that is greater than 12 bits (which is of course not possible but desirable nonetheless). If however, the input signal source has significant noise contribution, then σ_{DC} may exceed 1 LSB in which case the effective resolution drops to a value less than 12 bits, indicating a loss of resolution.

Again, the histogram tool offers multichannel functionality. However, the histogram corresponding to a single input channel is displayed at any time, as shown in Figure 12.

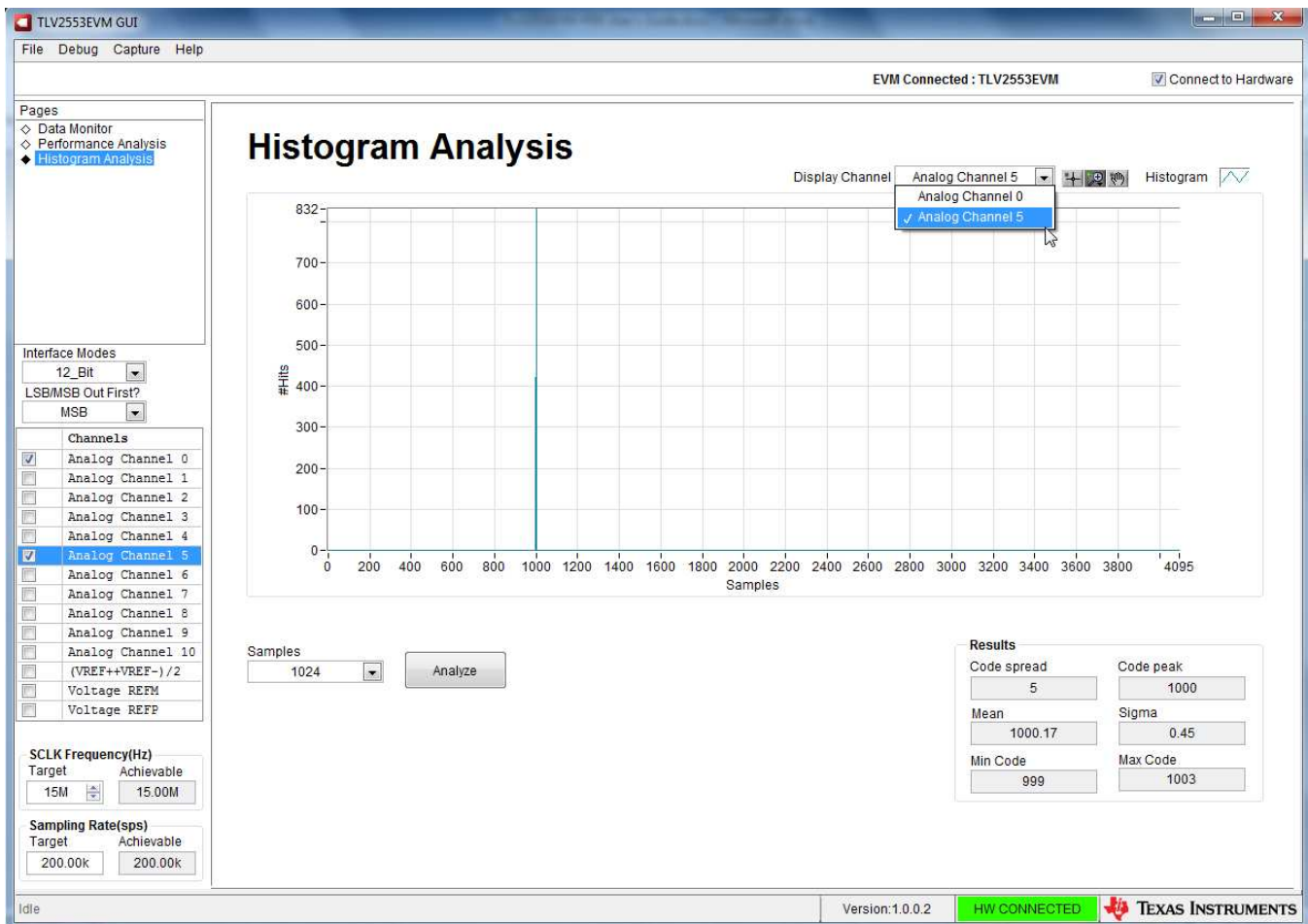


Figure 12. Histogram Tool Input Channel Selection

6.4 Performance (or FFT) Analysis Tool

This tool is for evaluating the dynamic performance of the TLV2553EVM through FFT analysis of the ADC output for time-varying inputs and computation of key dynamic range metrics (such as SNR, THD, SFDR, SINAD, and ENOB).

The analog input channel of interest can be selected as shown in [Figure 13](#).

The expected ADC input is a sinusoidal signal of peak-to-peak amplitude close to the ADC full-scale input range (FSR). The RMS power of the input signal normalized to FSR is shown in the *Signal Power (dB)* field and must be approximately -0.5 dBFS (or approximately $95\% \times$ FSR) to avoid input clipping.

The sampling rate of the ADC can be adjusted by modifying the *Target Sampling Rate (Hz)* argument, which is a global setting (it affects all tools). The achievable ADC sampling rate may differ from the target value, depending on the applied SCLK frequency and PHI PLL settings. Note that the user is also required to specify a target SCLK frequency that the tool tries to match as exactly as possible by changing the PHI PLL settings in an iterative fashion until convergence.

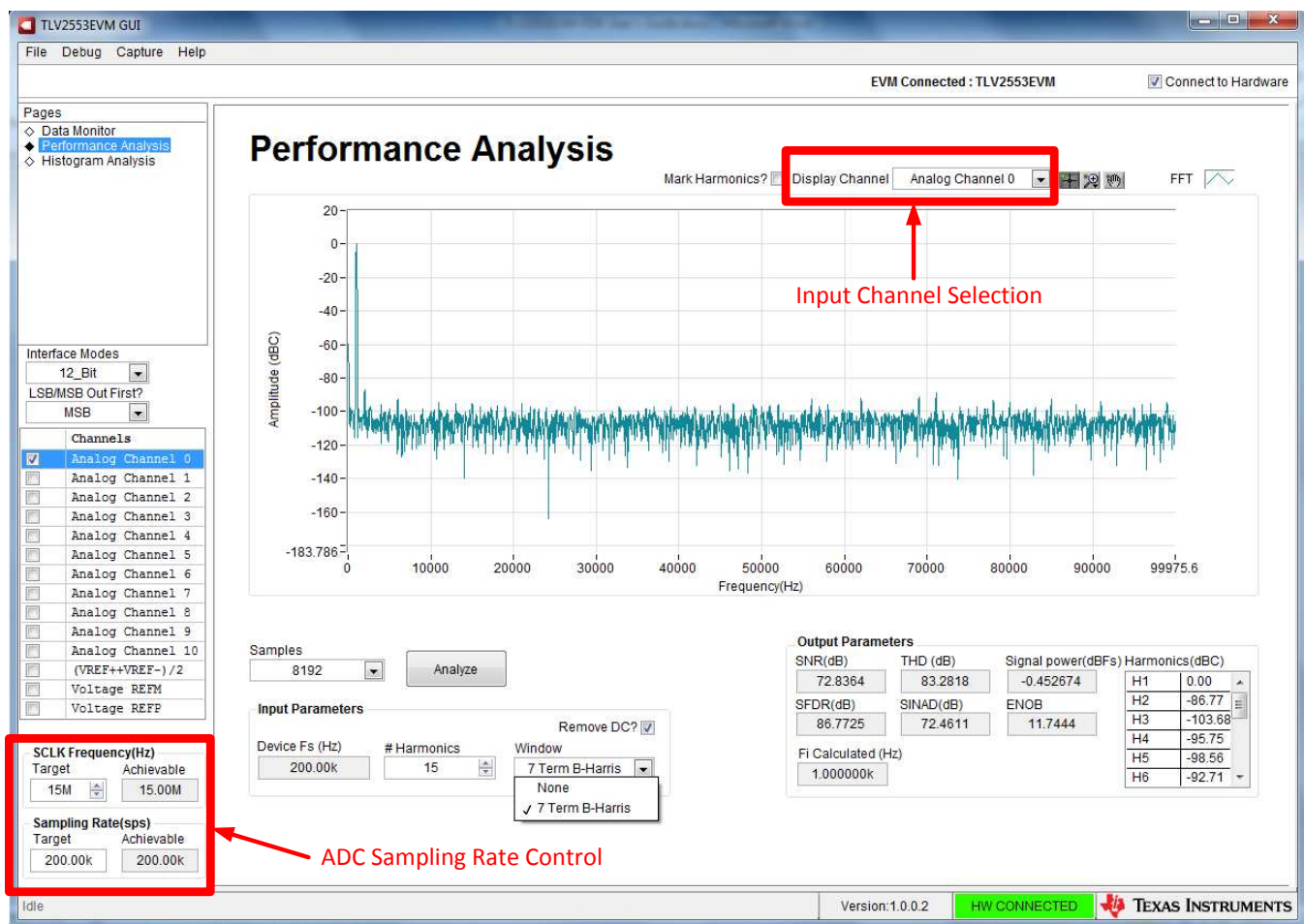


Figure 13. FFT Tool Input Parameters

Finally, the FFT tool includes windowing options that are required to mitigate the effects of non-coherent sampling (this discussion is beyond the scope of this document). The *7-Term Blackman Harris* window is the default option and has sufficient dynamic range to resolve the frequency components of up to a 24-bit ADC. Note that the *None* option corresponds to not using a window (or using a rectangular window) and is not recommended.

7 Bill of Materials, PCB Layout, and Schematics

Table 2. TLV2553EVM Bill of Materials

Manufacturer Part Number	Qty	Reference Designators	Manufacturer	Description
1891	4	For H1-H4	KEystone ELECTRONICS	HEX STANDOFF 4-40 ALUMINUM 1/4"
9900	4	For H1-H4	KEystone ELECTRONICS	MACHINE SCREW PAN PHILLIPS 4-40
RM3X4MM 2701	2	For J1	APM HEXSEAL	MACHINE SCREW PAN PHILLIPS M3
NPC02SXON-RC	2	For J2	SULLINS CONNECTOR SOLUTIONS	CONN JUMPER SHORTING .100" GOLD
C1005X7R1H104K050BB	2	C1, C6	TDK CORPORATION (VA)	CAP CER 0.1UF 50V 10% X7R 0402
GRM188R71C474KA88D	1	C19	MURATA ELECTRONICS (VA)	CAP CER 0.47UF 16V 10% X7R 0603
C1608C0G1E103J080AA	2	C21, C22	TDK CORPORATION (VA)	CAP CER 10000PF 25V 5% C0G 0603
C2012X7R1E105K125AB	1	C23	TDK CORPORATION (VA)	CAP CER 1UF 25V 10% X7R 0805
C0603C104J3RACTU	7	C25, C27-C32	KEMET (VA)	CAP CER 0.1UF 25V 5% X7R 0603
GRM188R71E105KA12D	3	C26, C33, C34	MURATA ELECTRONICS (VA)	CAP CER 1UF 25V 10% X7R 0603
CL31B106KAHNNNE	4	C3, C5, C11, C24	SAMSUNG ELECTRO-MECHANICS AMERICA, INC (VA)	CAP CER 10UF 25V 10% X7R 1206
GRM1885C1H102JA01D	11	C7-C10, C12-C18	MURATA ELECTRONICS (VA)	CAP CER 1000PF 50V 5% NP0 0603
9774050360R	2	H5, H6	WURTH ELECTRONICS INC	ROUND STANDOFF M3 STEEL 5MM
QTH-030-01-F-D-A	1	J1	SAMTEC INC	CONN HEADER 60POS 0.5MM SMT
TSW-114-07-G-D	1	J2	SAMTEC INC (VA)	CONN HEADER 28POS .100" DL GOLD
SSW-110-23-F-D	2	J3, J4	SAMTEC	CONN RECEPTACLE 20 POS .100"
TSW-102-07-G-S	1	J5	SAMTEC INC (VA)	CONN HEADER 2POS .100" SGL GOLD
5025700893	1	J6	MOLEX INC (VA)	CONN MICRO SD CARD PUSH-PUSH R/A
RC0402FR-0710KL	9	R1-R6, R12, R41, R47	YAGEO (VA)	RES SMD 10K OHM 1% 1/16W 0402
ERA-6AEB6043V	1	R21	PANASONIC ELECTRONIC COMPONENTS (VA)	RES SMD 604K OHM 0.1% 1/8W 0805
ERJ-6ENF1873V	1	R22	PANASONIC ELECTRONIC COMPONENTS (VA)	RES SMD 187K OHM 1% 1/8W 0805
RL0603FR-070R5L	1	R26	YAGEO (VA)	RES SMD 0.5 OHM 1% 1/10W 0603
ERJ-3EKF1001V	1	R40	PANASONIC ELECTRONIC COMPONENTS (VA)	RES SMD 1K OHM 1% 1/10W 0603
ERJ-3GEY0R00V	1	R42	PANASONIC ELECTRONIC COMPONENTS (VA)	RES SMD 0.0 OHM JUMPER 1/10W
RC0603FR-07240RL	2	R43, R46	YAGEO (VA)	RES SMD 240 OHM 1% 1/10W 0603
RC0603FR-0710KL	2	R44, R45	YAGEO (VA)	RES SMD 10K OHM 1% 1/10W 0603
RC0402FR-071ML	11	R7, R9, R11, R15, R20, R27, R29, R33, R35, R31, R37	YAGEO (VA)	RES SMD 1M OHM 1% 1/16W 0402
ERJ-3EKF49R9V	16	R8, R10, R13, R14, R16-R19, R23-R25, R28, R30, R32, R34, R36	PANASONIC ELECTRONIC COMPONENTS (VA)	RES SMD 49.9 OHM 1% 1/10W 0603
BR24G32FVT-3AGE2	1	U1	ROHM SEMICONDUCTOR (VA)	IC EEPROM I2C BUS 32KBIT 8TSSOP
TPS7A4901DGN	1	U12	TEXAS INSTRUMENTS	
TLV2553IPW	1	U2	TEXAS INSTRUMENTS	IC 12BIT 200KSPS SER ADC 20TSSOP
OPA4322AIPW	3	U3-U5	TEXAS INSTRUMENTS	IC OPAMP GP 20MHZ RRO 14TSSOP
REF3240AIDBV	1	U6	TEXAS INSTRUMENTS	
OPA320AIDBVR	1	U7	TEXAS INSTRUMENTS (VA)	IC OPAMP GP 20MHZ RRO SOT23-5
TXB0106PWR	1	U8	TEXAS INSTRUMENTS (VA)	IC 6BIT NON-INV TRANSLTR 16TSSOP

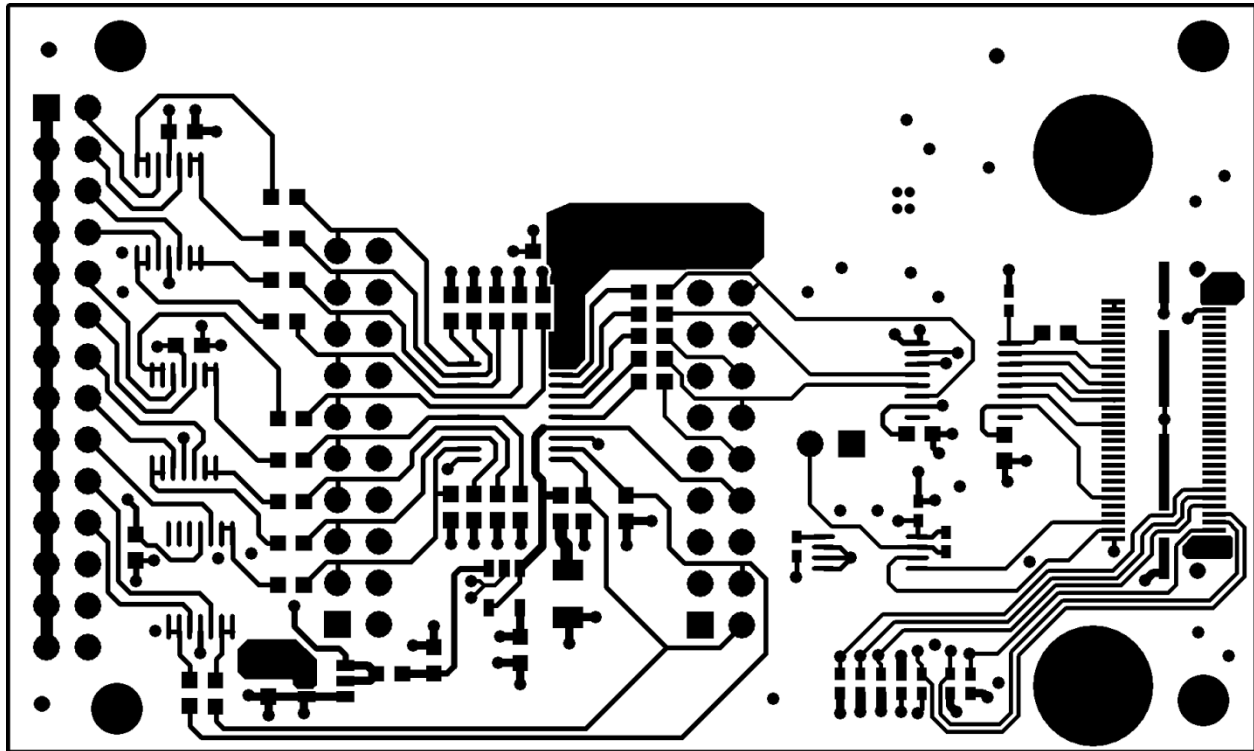


Figure 14. TLV2553EVM PCB Layer 1: Top Layer

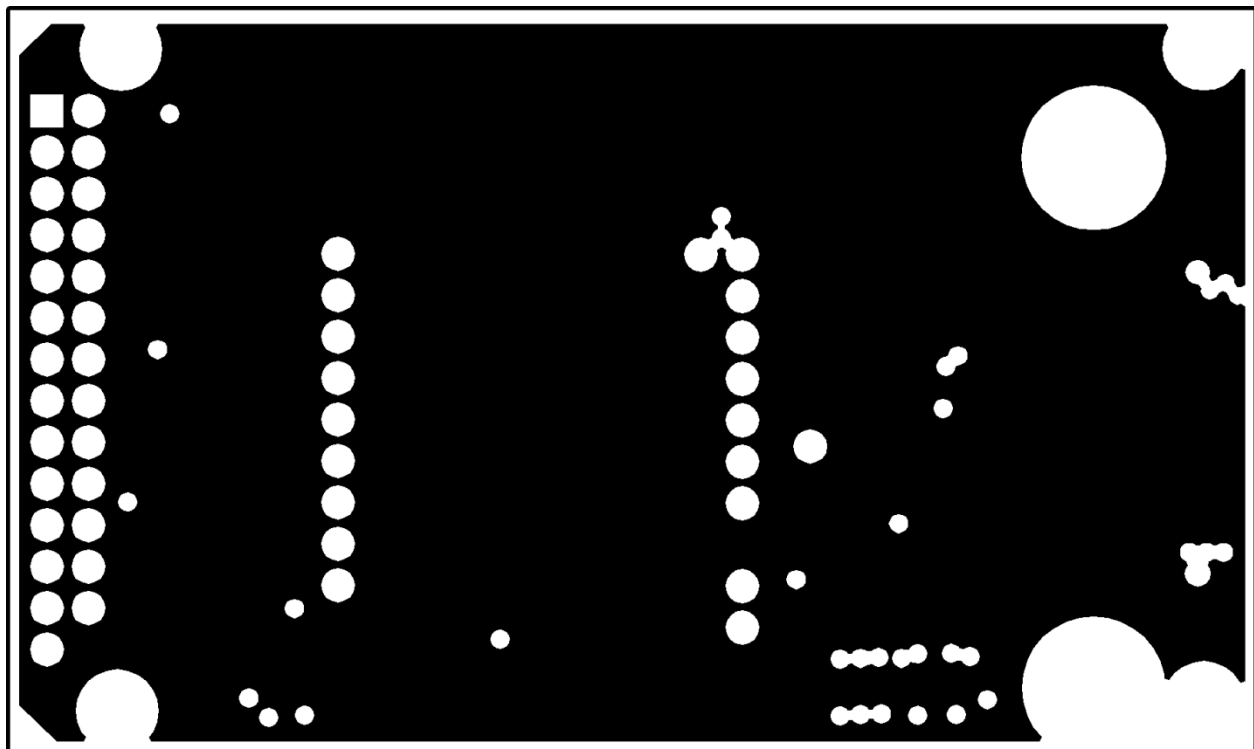


Figure 15. TLV2553EVM PCB Layer 2: GND Plane

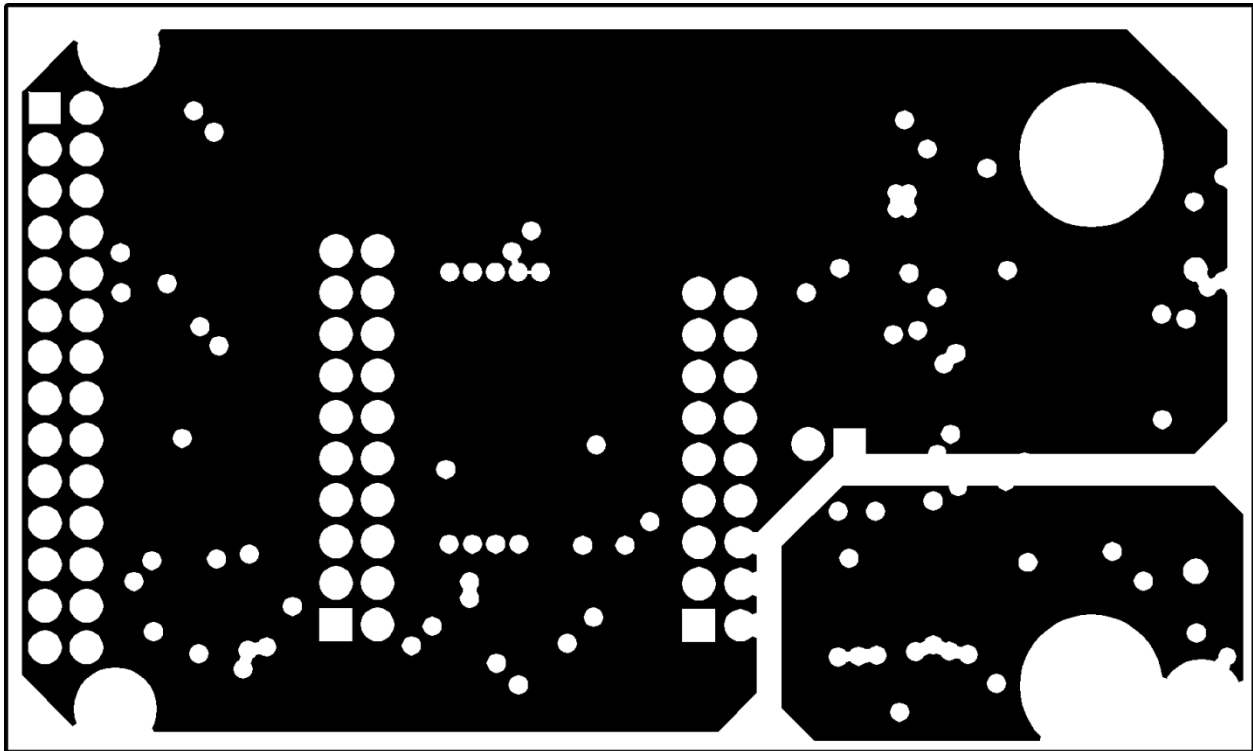


Figure 16. TLV2553EVM PCB Layer 3: Power Planes

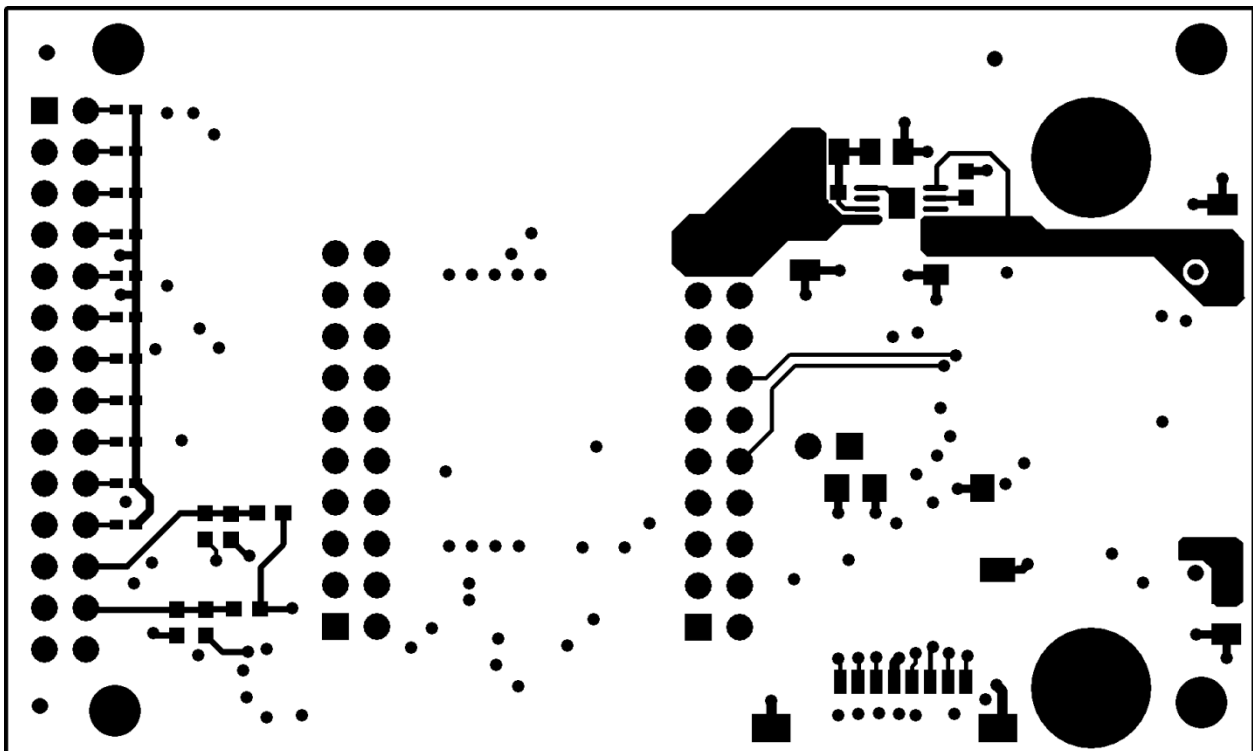


Figure 17. TLV2553EVM PCB Layer 4: Bottom Layer

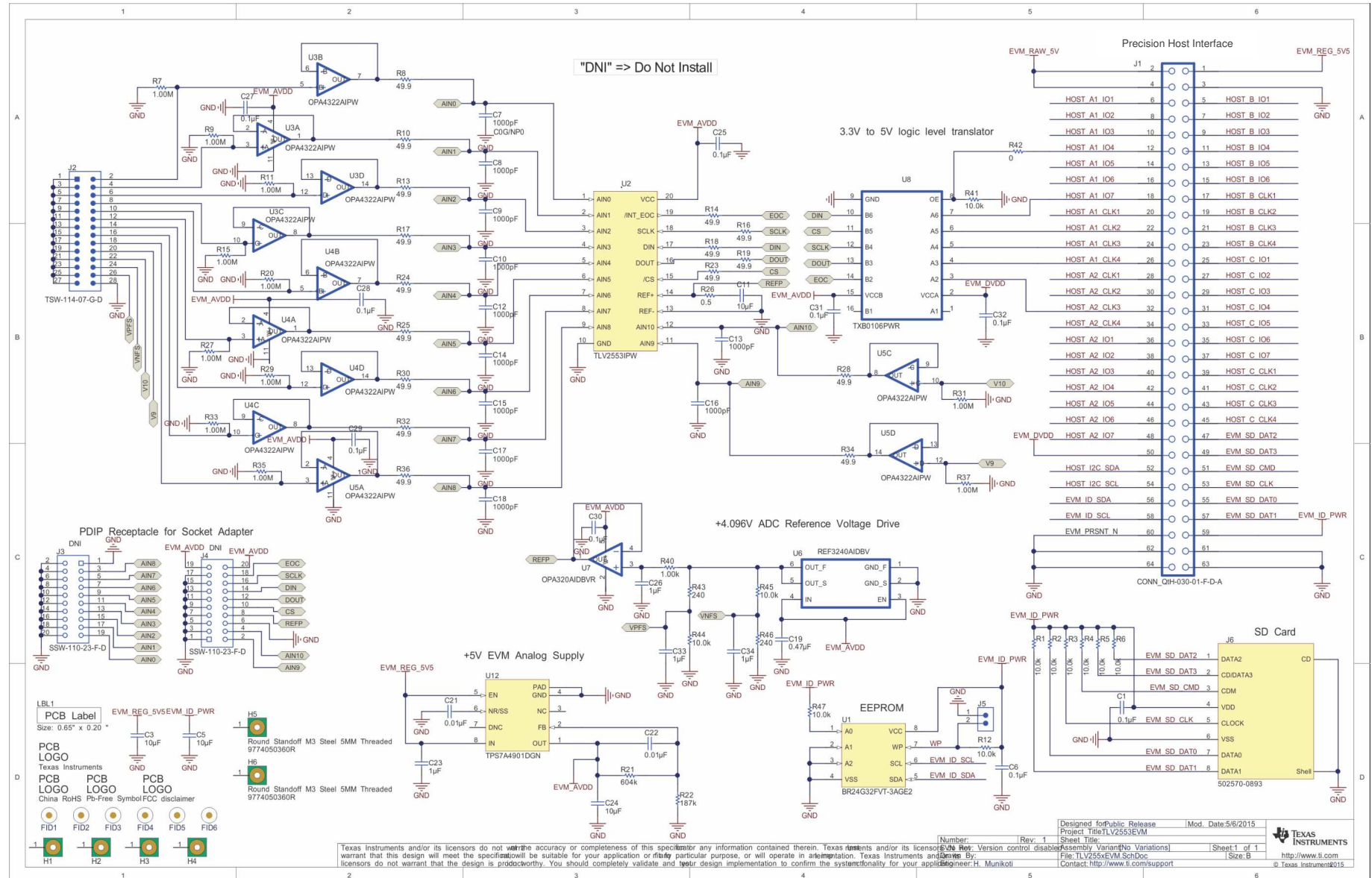


Figure 18. Schematic Diagram of the TLV2553EVM PCB

Revision History

NOTE: Page numbers for previous revisions may differ from page numbers in the current version.

Changes from Original (June 2015) to A Revision	Page
• Changed TLV2553EVM-PDK board image	1
• Changed SDCC to PHI throughout document.....	3
• Deleted all references to microSD memory card from document.....	3
• Changed <i>Windows® 7 and Windows® 8 operating systems</i> to <i>all Windows® operating systems</i>	3
• Changed <i>EVM Graphical User Interface (GUI) Software Installation</i> section	7
• Changed <i>TLV2553EVM-PDK Operation</i> section	10
• Deleted SD card from Bill of Materials	15

STANDARD TERMS FOR EVALUATION MODULES

1. *Delivery:* TI delivers TI evaluation boards, kits, or modules, including any accompanying demonstration software, components, and/or documentation which may be provided together or separately (collectively, an "EVM" or "EVMs") to the User ("User") in accordance with the terms set forth herein. User's acceptance of the EVM is expressly subject to the following terms.
 - 1.1 EVMs are intended solely for product or software developers for use in a research and development setting to facilitate feasibility evaluation, experimentation, or scientific analysis of TI semiconductors products. EVMs have no direct function and are not finished products. EVMs shall not be directly or indirectly assembled as a part or subassembly in any finished product. For clarification, any software or software tools provided with the EVM ("Software") shall not be subject to the terms and conditions set forth herein but rather shall be subject to the applicable terms that accompany such Software
 - 1.2 EVMs are not intended for consumer or household use. EVMs may not be sold, sublicensed, leased, rented, loaned, assigned, or otherwise distributed for commercial purposes by Users, in whole or in part, or used in any finished product or production system.
2. *Limited Warranty and Related Remedies/Disclaimers:*
 - 2.1 These terms do not apply to Software. The warranty, if any, for Software is covered in the applicable Software License Agreement.
 - 2.2 TI warrants that the TI EVM will conform to TI's published specifications for ninety (90) days after the date TI delivers such EVM to User. Notwithstanding the foregoing, TI shall not be liable for a nonconforming EVM if (a) the nonconformity was caused by neglect, misuse or mistreatment by an entity other than TI, including improper installation or testing, or for any EVMs that have been altered or modified in any way by an entity other than TI, (b) the nonconformity resulted from User's design, specifications or instructions for such EVMs or improper system design, or (c) User has not paid on time. Testing and other quality control techniques are used to the extent TI deems necessary. TI does not test all parameters of each EVM. User's claims against TI under this Section 2 are void if User fails to notify TI of any apparent defects in the EVMs within ten (10) business days after delivery, or of any hidden defects with ten (10) business days after the defect has been detected.
 - 2.3 TI's sole liability shall be at its option to repair or replace EVMs that fail to conform to the warranty set forth above, or credit User's account for such EVM. TI's liability under this warranty shall be limited to EVMs that are returned during the warranty period to the address designated by TI and that are determined by TI not to conform to such warranty. If TI elects to repair or replace such EVM, TI shall have a reasonable time to repair such EVM or provide replacements. Repaired EVMs shall be warranted for the remainder of the original warranty period. Replaced EVMs shall be warranted for a new full ninety (90) day warranty period.

WARNING

Evaluation Kits are intended solely for use by technically qualified, professional electronics experts who are familiar with the dangers and application risks associated with handling electrical mechanical components, systems, and subsystems.

User shall operate the Evaluation Kit within TI's recommended guidelines and any applicable legal or environmental requirements as well as reasonable and customary safeguards. Failure to set up and/or operate the Evaluation Kit within TI's recommended guidelines may result in personal injury or death or property damage. Proper set up entails following TI's instructions for electrical ratings of interface circuits such as input, output and electrical loads.

NOTE:

EXPOSURE TO ELECTROSTATIC DISCHARGE (ESD) MAY CAUSE DEGRADATION OR FAILURE OF THE EVALUATION KIT; TI RECOMMENDS STORAGE OF THE EVALUATION KIT IN A PROTECTIVE ESD BAG.

3 Regulatory Notices:

3.1 United States

3.1.1 Notice applicable to EVMs not FCC-Approved:

FCC NOTICE: This kit is designed to allow product developers to evaluate electronic components, circuitry, or software associated with the kit to determine whether to incorporate such items in a finished product and software developers to write software applications for use with the end product. This kit is not a finished product and when assembled may not be resold or otherwise marketed unless all required FCC equipment authorizations are first obtained. Operation is subject to the condition that this product not cause harmful interference to licensed radio stations and that this product accept harmful interference. Unless the assembled kit is designed to operate under part 15, part 18 or part 95 of this chapter, the operator of the kit must operate under the authority of an FCC license holder or must secure an experimental authorization under part 5 of this chapter.

3.1.2 For EVMs annotated as FCC – FEDERAL COMMUNICATIONS COMMISSION Part 15 Compliant:

CAUTION

This device complies with part 15 of the FCC Rules. Operation is subject to the following two conditions: (1) This device may not cause harmful interference, and (2) this device must accept any interference received, including interference that may cause undesired operation.

Changes or modifications not expressly approved by the party responsible for compliance could void the user's authority to operate the equipment.

FCC Interference Statement for Class A EVM devices

NOTE: This equipment has been tested and found to comply with the limits for a Class A digital device, pursuant to part 15 of the FCC Rules. These limits are designed to provide reasonable protection against harmful interference when the equipment is operated in a commercial environment. This equipment generates, uses, and can radiate radio frequency energy and, if not installed and used in accordance with the instruction manual, may cause harmful interference to radio communications. Operation of this equipment in a residential area is likely to cause harmful interference in which case the user will be required to correct the interference at his own expense.

FCC Interference Statement for Class B EVM devices

NOTE: This equipment has been tested and found to comply with the limits for a Class B digital device, pursuant to part 15 of the FCC Rules. These limits are designed to provide reasonable protection against harmful interference in a residential installation. This equipment generates, uses and can radiate radio frequency energy and, if not installed and used in accordance with the instructions, may cause harmful interference to radio communications. However, there is no guarantee that interference will not occur in a particular installation. If this equipment does cause harmful interference to radio or television reception, which can be determined by turning the equipment off and on, the user is encouraged to try to correct the interference by one or more of the following measures:

- Reorient or relocate the receiving antenna.
- Increase the separation between the equipment and receiver.
- Connect the equipment into an outlet on a circuit different from that to which the receiver is connected.
- Consult the dealer or an experienced radio/TV technician for help.

3.2 Canada

3.2.1 For EVMs issued with an Industry Canada Certificate of Conformance to RSS-210 or RSS-247

Concerning EVMs Including Radio Transmitters:

This device complies with Industry Canada license-exempt RSSs. Operation is subject to the following two conditions:

(1) this device may not cause interference, and (2) this device must accept any interference, including interference that may cause undesired operation of the device.

Concernant les EVMs avec appareils radio:

Le présent appareil est conforme aux CNR d'Industrie Canada applicables aux appareils radio exempts de licence. L'exploitation est autorisée aux deux conditions suivantes: (1) l'appareil ne doit pas produire de brouillage, et (2) l'utilisateur de l'appareil doit accepter tout brouillage radioélectrique subi, même si le brouillage est susceptible d'en compromettre le fonctionnement.

Concerning EVMs Including Detachable Antennas:

Under Industry Canada regulations, this radio transmitter may only operate using an antenna of a type and maximum (or lesser) gain approved for the transmitter by Industry Canada. To reduce potential radio interference to other users, the antenna type and its gain should be so chosen that the equivalent isotropically radiated power (e.i.r.p.) is not more than that necessary for successful communication. This radio transmitter has been approved by Industry Canada to operate with the antenna types listed in the user guide with the maximum permissible gain and required antenna impedance for each antenna type indicated. Antenna types not included in this list, having a gain greater than the maximum gain indicated for that type, are strictly prohibited for use with this device.

Concernant les EVMs avec antennes détachables

Conformément à la réglementation d'Industrie Canada, le présent émetteur radio peut fonctionner avec une antenne d'un type et d'un gain maximal (ou inférieur) approuvé pour l'émetteur par Industrie Canada. Dans le but de réduire les risques de brouillage radioélectrique à l'intention des autres utilisateurs, il faut choisir le type d'antenne et son gain de sorte que la puissance isotrope rayonnée équivalente (p.i.r.e.) ne dépasse pas l'intensité nécessaire à l'établissement d'une communication satisfaisante. Le présent émetteur radio a été approuvé par Industrie Canada pour fonctionner avec les types d'antenne énumérés dans le manuel d'usage et ayant un gain admissible maximal et l'impédance requise pour chaque type d'antenne. Les types d'antenne non inclus dans cette liste, ou dont le gain est supérieur au gain maximal indiqué, sont strictement interdits pour l'exploitation de l'émetteur.

3.3 Japan

3.3.1 *Notice for EVMs delivered in Japan:* Please see http://www.tij.co.jp/lstds/ti_ja/general/eStore/notice_01.page 日本国内に輸入される評価用キット、ボードについては、次のところをご覧ください。
http://www.tij.co.jp/lstds/ti_ja/general/eStore/notice_01.page

3.3.2 *Notice for Users of EVMs Considered "Radio Frequency Products" in Japan:* EVMs entering Japan may not be certified by TI as conforming to Technical Regulations of Radio Law of Japan.

If User uses EVMs in Japan, not certified to Technical Regulations of Radio Law of Japan, User is required to follow the instructions set forth by Radio Law of Japan, which includes, but is not limited to, the instructions below with respect to EVMs (which for the avoidance of doubt are stated strictly for convenience and should be verified by User):

1. Use EVMs in a shielded room or any other test facility as defined in the notification #173 issued by Ministry of Internal Affairs and Communications on March 28, 2006, based on Sub-section 1.1 of Article 6 of the Ministry's Rule for Enforcement of Radio Law of Japan,
2. Use EVMs only after User obtains the license of Test Radio Station as provided in Radio Law of Japan with respect to EVMs, or
3. Use of EVMs only after User obtains the Technical Regulations Conformity Certification as provided in Radio Law of Japan with respect to EVMs. Also, do not transfer EVMs, unless User gives the same notice above to the transferee. Please note that if User does not follow the instructions above, User will be subject to penalties of Radio Law of Japan.

【無線電波を送信する製品の開発キットをお使いになる際の注意事項】 開発キットの中には技術基準適合証明を受けていないものがあります。技術適合証明を受けていないものご使用に際しては、電波法遵守のため、以下のいずれかの措置を取っていただく必要がありますのでご注意ください。

1. 電波法施行規則第6条第1項第1号に基づく平成18年3月28日総務省告示第173号で定められた電波暗室等の試験設備でご使用いただく。
2. 実験局の免許を取得後ご使用いただく。
3. 技術基準適合証明を取得後ご使用いただく。

なお、本製品は、上記の「ご使用にあたっての注意」を譲渡先、移転先に通知しない限り、譲渡、移転できないものとします。

上記を遵守頂けない場合は、電波法の罰則が適用される可能性があることをご留意ください。日本テキサス・インスツルメンツ株式会社
東京都新宿区西新宿 6 丁目 2 4 番 1 号
西新宿三井ビル

3.3.3 *Notice for EVMs for Power Line Communication:* Please see http://www.tij.co.jp/lstds/ti_ja/general/eStore/notice_02.page
電力線搬送波通信についての開発キットをお使いになる際の注意事項については、次のところをご覧ください。http://www.tij.co.jp/lstds/ti_ja/general/eStore/notice_02.page

3.4 European Union

3.4.1 *For EVMs subject to EU Directive 2014/30/EU (Electromagnetic Compatibility Directive):*

This is a class A product intended for use in environments other than domestic environments that are connected to a low-voltage power-supply network that supplies buildings used for domestic purposes. In a domestic environment this product may cause radio interference in which case the user may be required to take adequate measures.

-
- 4 *EVM Use Restrictions and Warnings:*
 - 4.1 EVMS ARE NOT FOR USE IN FUNCTIONAL SAFETY AND/OR SAFETY CRITICAL EVALUATIONS, INCLUDING BUT NOT LIMITED TO EVALUATIONS OF LIFE SUPPORT APPLICATIONS.
 - 4.2 User must read and apply the user guide and other available documentation provided by TI regarding the EVM prior to handling or using the EVM, including without limitation any warning or restriction notices. The notices contain important safety information related to, for example, temperatures and voltages.
 - 4.3 *Safety-Related Warnings and Restrictions:*
 - 4.3.1 User shall operate the EVM within TI's recommended specifications and environmental considerations stated in the user guide, other available documentation provided by TI, and any other applicable requirements and employ reasonable and customary safeguards. Exceeding the specified performance ratings and specifications (including but not limited to input and output voltage, current, power, and environmental ranges) for the EVM may cause personal injury or death, or property damage. If there are questions concerning performance ratings and specifications, User should contact a TI field representative prior to connecting interface electronics including input power and intended loads. Any loads applied outside of the specified output range may also result in unintended and/or inaccurate operation and/or possible permanent damage to the EVM and/or interface electronics. Please consult the EVM user guide prior to connecting any load to the EVM output. If there is uncertainty as to the load specification, please contact a TI field representative. During normal operation, even with the inputs and outputs kept within the specified allowable ranges, some circuit components may have elevated case temperatures. These components include but are not limited to linear regulators, switching transistors, pass transistors, current sense resistors, and heat sinks, which can be identified using the information in the associated documentation. When working with the EVM, please be aware that the EVM may become very warm.
 - 4.3.2 EVMs are intended solely for use by technically qualified, professional electronics experts who are familiar with the dangers and application risks associated with handling electrical mechanical components, systems, and subsystems. User assumes all responsibility and liability for proper and safe handling and use of the EVM by User or its employees, affiliates, contractors or designees. User assumes all responsibility and liability to ensure that any interfaces (electronic and/or mechanical) between the EVM and any human body are designed with suitable isolation and means to safely limit accessible leakage currents to minimize the risk of electrical shock hazard. User assumes all responsibility and liability for any improper or unsafe handling or use of the EVM by User or its employees, affiliates, contractors or designees.
 - 4.4 User assumes all responsibility and liability to determine whether the EVM is subject to any applicable international, federal, state, or local laws and regulations related to User's handling and use of the EVM and, if applicable, User assumes all responsibility and liability for compliance in all respects with such laws and regulations. User assumes all responsibility and liability for proper disposal and recycling of the EVM consistent with all applicable international, federal, state, and local requirements.
 5. *Accuracy of Information:* To the extent TI provides information on the availability and function of EVMs, TI attempts to be as accurate as possible. However, TI does not warrant the accuracy of EVM descriptions, EVM availability or other information on its websites as accurate, complete, reliable, current, or error-free.
 6. *Disclaimers:*
 - 6.1 EXCEPT AS SET FORTH ABOVE, EVMS AND ANY MATERIALS PROVIDED WITH THE EVM (INCLUDING, BUT NOT LIMITED TO, REFERENCE DESIGNS AND THE DESIGN OF THE EVM ITSELF) ARE PROVIDED "AS IS" AND "WITH ALL FAULTS." TI DISCLAIMS ALL OTHER WARRANTIES, EXPRESS OR IMPLIED, REGARDING SUCH ITEMS, INCLUDING BUT NOT LIMITED TO ANY EPIDEMIC FAILURE WARRANTY OR IMPLIED WARRANTIES OF MERCHANTABILITY OR FITNESS FOR A PARTICULAR PURPOSE OR NON-INFRINGEMENT OF ANY THIRD PARTY PATENTS, COPYRIGHTS, TRADE SECRETS OR OTHER INTELLECTUAL PROPERTY RIGHTS.
 - 6.2 EXCEPT FOR THE LIMITED RIGHT TO USE THE EVM SET FORTH HEREIN, NOTHING IN THESE TERMS SHALL BE CONSTRUED AS GRANTING OR CONFERRING ANY RIGHTS BY LICENSE, PATENT, OR ANY OTHER INDUSTRIAL OR INTELLECTUAL PROPERTY RIGHT OF TI, ITS SUPPLIERS/LICENSORS OR ANY OTHER THIRD PARTY, TO USE THE EVM IN ANY FINISHED END-USER OR READY-TO-USE FINAL PRODUCT, OR FOR ANY INVENTION, DISCOVERY OR IMPROVEMENT, REGARDLESS OF WHEN MADE, CONCEIVED OR ACQUIRED.
 7. *USER'S INDEMNITY OBLIGATIONS AND REPRESENTATIONS.* USER WILL DEFEND, INDEMNIFY AND HOLD TI, ITS LICENSORS AND THEIR REPRESENTATIVES HARMLESS FROM AND AGAINST ANY AND ALL CLAIMS, DAMAGES, LOSSES, EXPENSES, COSTS AND LIABILITIES (COLLECTIVELY, "CLAIMS") ARISING OUT OF OR IN CONNECTION WITH ANY HANDLING OR USE OF THE EVM THAT IS NOT IN ACCORDANCE WITH THESE TERMS. THIS OBLIGATION SHALL APPLY WHETHER CLAIMS ARISE UNDER STATUTE, REGULATION, OR THE LAW OF TORT, CONTRACT OR ANY OTHER LEGAL THEORY, AND EVEN IF THE EVM FAILS TO PERFORM AS DESCRIBED OR EXPECTED.

8. *Limitations on Damages and Liability:*

8.1 *General Limitations.* IN NO EVENT SHALL TI BE LIABLE FOR ANY SPECIAL, COLLATERAL, INDIRECT, PUNITIVE, INCIDENTAL, CONSEQUENTIAL, OR EXEMPLARY DAMAGES IN CONNECTION WITH OR ARISING OUT OF THESE TERMS OR THE USE OF THE EVMS , REGARDLESS OF WHETHER TI HAS BEEN ADVISED OF THE POSSIBILITY OF SUCH DAMAGES. EXCLUDED DAMAGES INCLUDE, BUT ARE NOT LIMITED TO, COST OF REMOVAL OR REINSTALLATION, ANCILLARY COSTS TO THE PROCUREMENT OF SUBSTITUTE GOODS OR SERVICES, RETESTING, OUTSIDE COMPUTER TIME, LABOR COSTS, LOSS OF GOODWILL, LOSS OF PROFITS, LOSS OF SAVINGS, LOSS OF USE, LOSS OF DATA, OR BUSINESS INTERRUPTION. NO CLAIM, SUIT OR ACTION SHALL BE BROUGHT AGAINST TI MORE THAN TWELVE (12) MONTHS AFTER THE EVENT THAT GAVE RISE TO THE CAUSE OF ACTION HAS OCCURRED.

8.2 *Specific Limitations.* IN NO EVENT SHALL TI'S AGGREGATE LIABILITY FROM ANY USE OF AN EVM PROVIDED HEREUNDER, INCLUDING FROM ANY WARRANTY, INDEMNITY OR OTHER OBLIGATION ARISING OUT OF OR IN CONNECTION WITH THESE TERMS, , EXCEED THE TOTAL AMOUNT PAID TO TI BY USER FOR THE PARTICULAR EVM(S) AT ISSUE DURING THE PRIOR TWELVE (12) MONTHS WITH RESPECT TO WHICH LOSSES OR DAMAGES ARE CLAIMED. THE EXISTENCE OF MORE THAN ONE CLAIM SHALL NOT ENLARGE OR EXTEND THIS LIMIT.

9. *Return Policy.* Except as otherwise provided, TI does not offer any refunds, returns, or exchanges. Furthermore, no return of EVM(s) will be accepted if the package has been opened and no return of the EVM(s) will be accepted if they are damaged or otherwise not in a resalable condition. If User feels it has been incorrectly charged for the EVM(s) it ordered or that delivery violates the applicable order, User should contact TI. All refunds will be made in full within thirty (30) working days from the return of the components(s), excluding any postage or packaging costs.

10. *Governing Law:* These terms and conditions shall be governed by and interpreted in accordance with the laws of the State of Texas, without reference to conflict-of-laws principles. User agrees that non-exclusive jurisdiction for any dispute arising out of or relating to these terms and conditions lies within courts located in the State of Texas and consents to venue in Dallas County, Texas. Notwithstanding the foregoing, any judgment may be enforced in any United States or foreign court, and TI may seek injunctive relief in any United States or foreign court.

Mailing Address: Texas Instruments, Post Office Box 655303, Dallas, Texas 75265
Copyright © 2019, Texas Instruments Incorporated

IMPORTANT NOTICE AND DISCLAIMER

TI PROVIDES TECHNICAL AND RELIABILITY DATA (INCLUDING DATASHEETS), DESIGN RESOURCES (INCLUDING REFERENCE DESIGNS), APPLICATION OR OTHER DESIGN ADVICE, WEB TOOLS, SAFETY INFORMATION, AND OTHER RESOURCES "AS IS" AND WITH ALL FAULTS, AND DISCLAIMS ALL WARRANTIES, EXPRESS AND IMPLIED, INCLUDING WITHOUT LIMITATION ANY IMPLIED WARRANTIES OF MERCHANTABILITY, FITNESS FOR A PARTICULAR PURPOSE OR NON-INFRINGEMENT OF THIRD PARTY INTELLECTUAL PROPERTY RIGHTS.

These resources are intended for skilled developers designing with TI products. You are solely responsible for (1) selecting the appropriate TI products for your application, (2) designing, validating and testing your application, and (3) ensuring your application meets applicable standards, and any other safety, security, or other requirements. These resources are subject to change without notice. TI grants you permission to use these resources only for development of an application that uses the TI products described in the resource. Other reproduction and display of these resources is prohibited. No license is granted to any other TI intellectual property right or to any third party intellectual property right. TI disclaims responsibility for, and you will fully indemnify TI and its representatives against, any claims, damages, costs, losses, and liabilities arising out of your use of these resources.

TI's products are provided subject to TI's Terms of Sale (www.ti.com/legal/termsofsale.html) or other applicable terms available either on ti.com or provided in conjunction with such TI products. TI's provision of these resources does not expand or otherwise alter TI's applicable warranties or warranty disclaimers for TI products.

Mailing Address: Texas Instruments, Post Office Box 655303, Dallas, Texas 75265
Copyright © 2019, Texas Instruments Incorporated