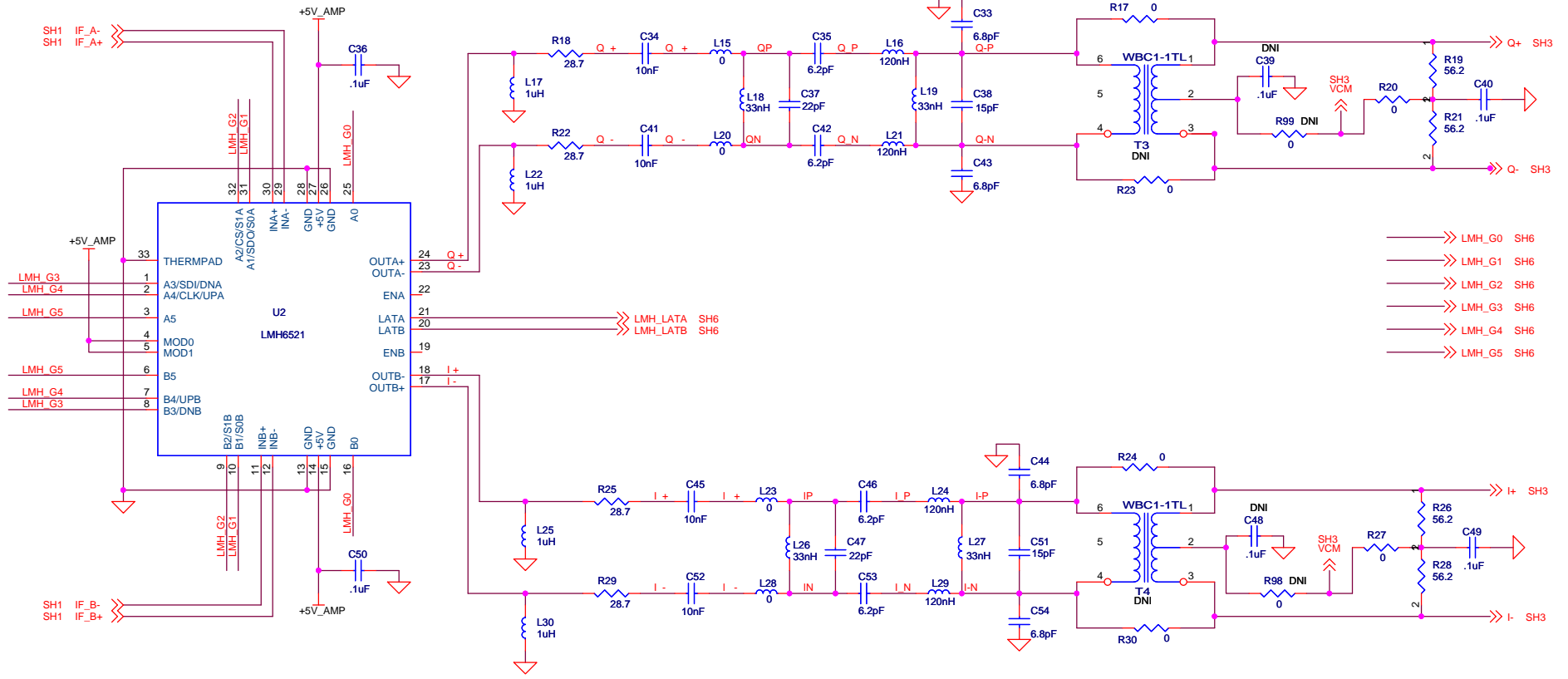


**TEXAS INSTRUMENTS**

Title: **TSW1265**

Size: Document Number **MIXER** Rev **A**

Date: Thursday, December 01, 2011 Sheet 1 of 7



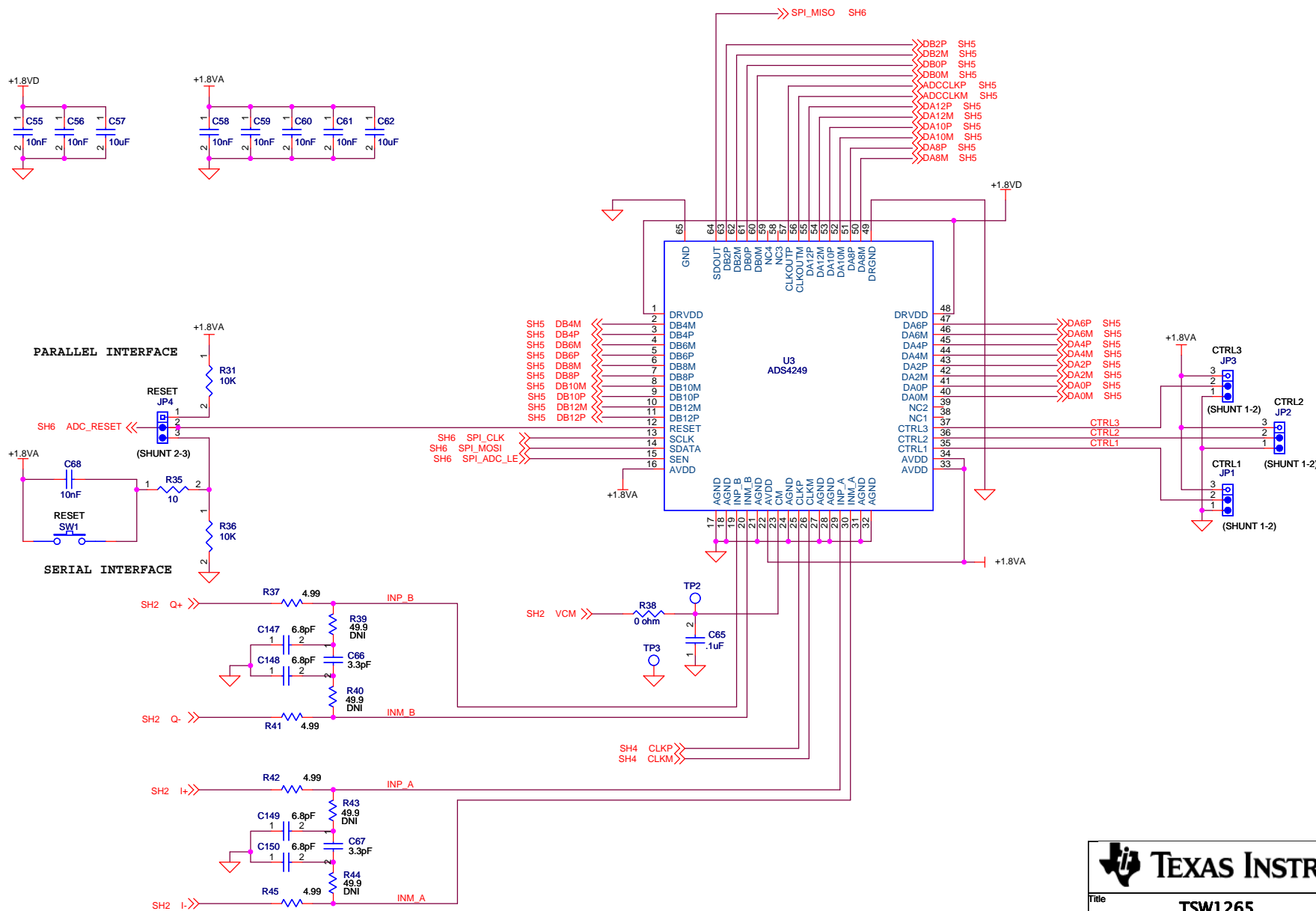
- LMH\_G0 SH6
- LMH\_G1 SH6
- LMH\_G2 SH6
- LMH\_G3 SH6
- LMH\_G4 SH6
- LMH\_G5 SH6

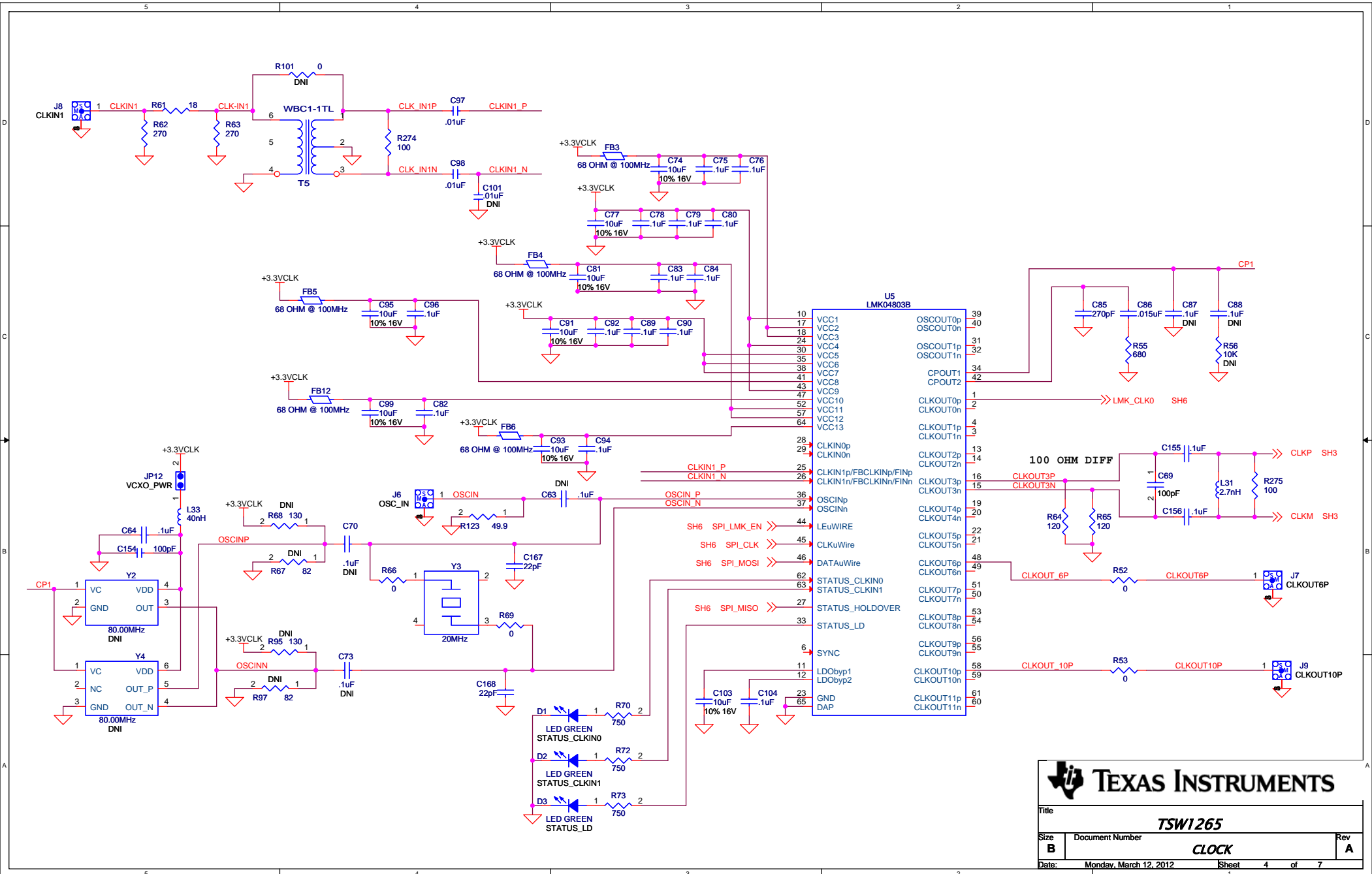
**TEXAS INSTRUMENTS**

Title: **TSW1265**

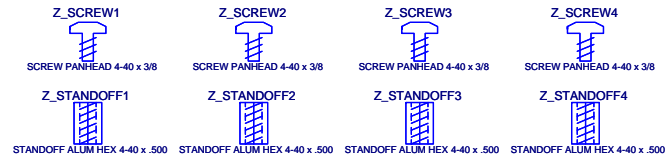
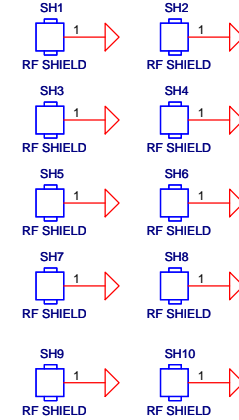
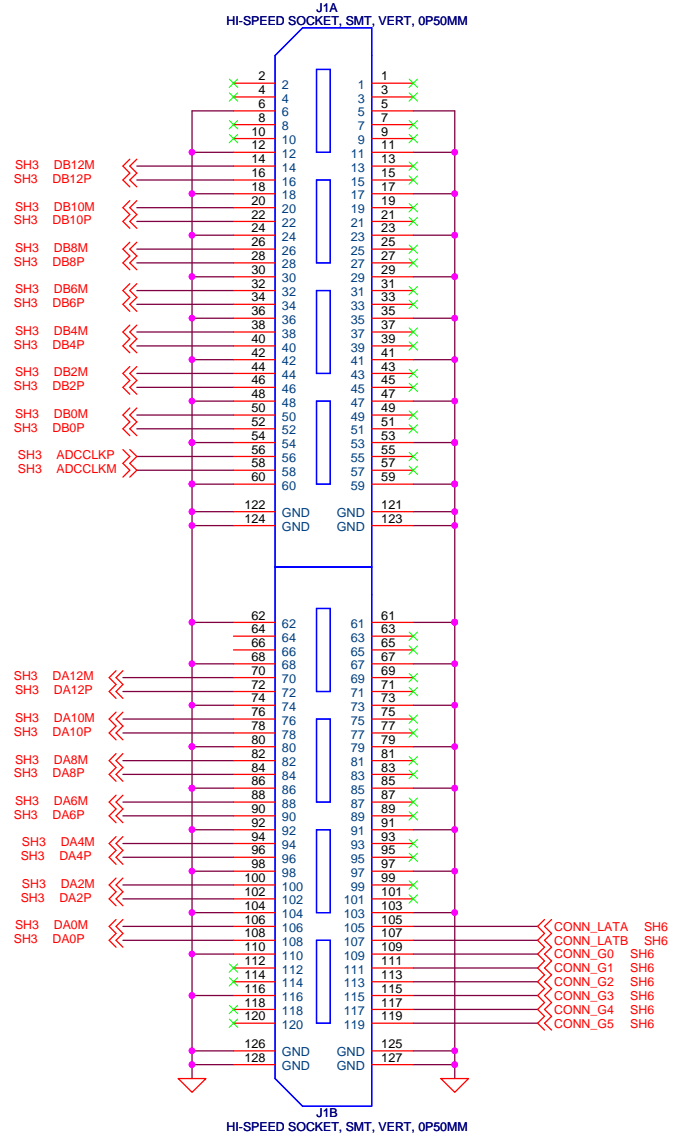
Size: Document Number **AMPLIFIER** Rev **A**

Date: Thursday, December 01, 2011 Sheet 2 of 7





Title		
<b>TSW1265</b>		
Size	Document Number	Rev
<b>B</b>	<b>CLOCK</b>	<b>A</b>
Date:	Monday, March 12, 2012	Sheet 4 of 7



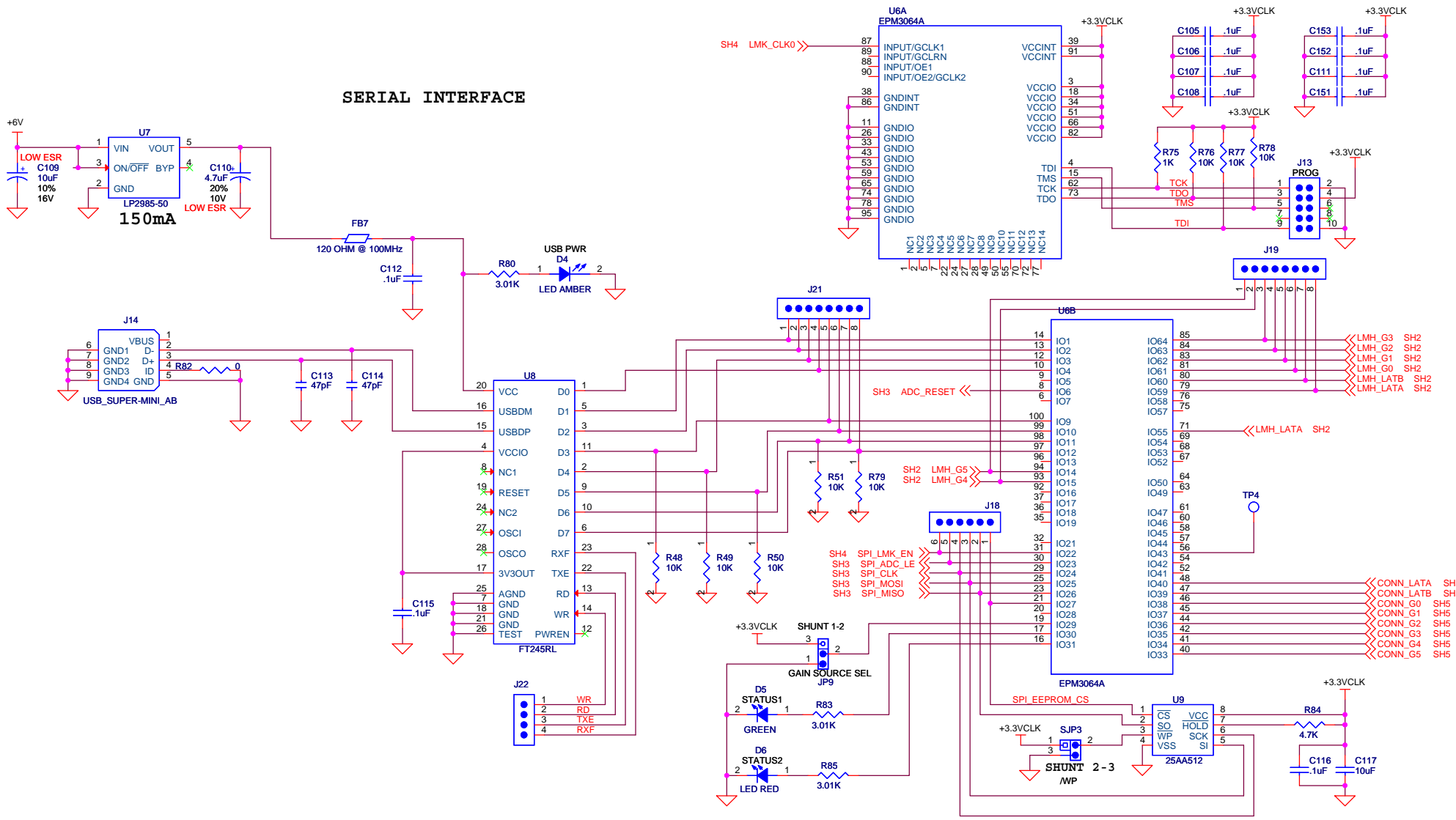
**TEXAS INSTRUMENTS**

Title **TSW1265**

Size **B** Document Number **INTERFACE** Rev **A**

Date: Monday, December 05, 2011 Sheet 5 of 7

# SERIAL INTERFACE

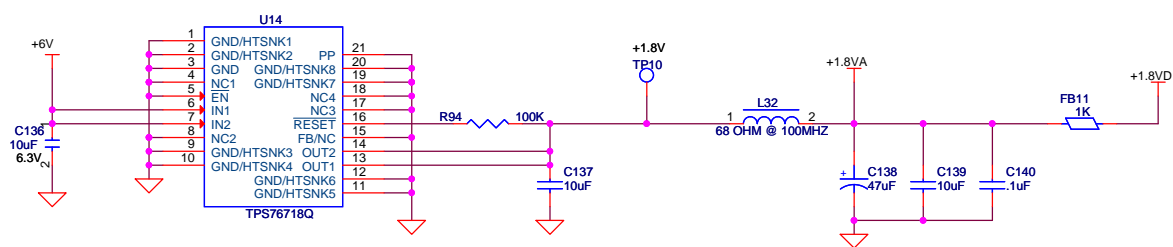
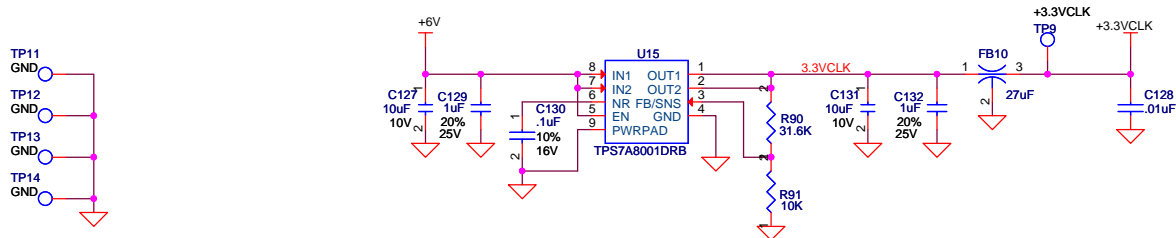
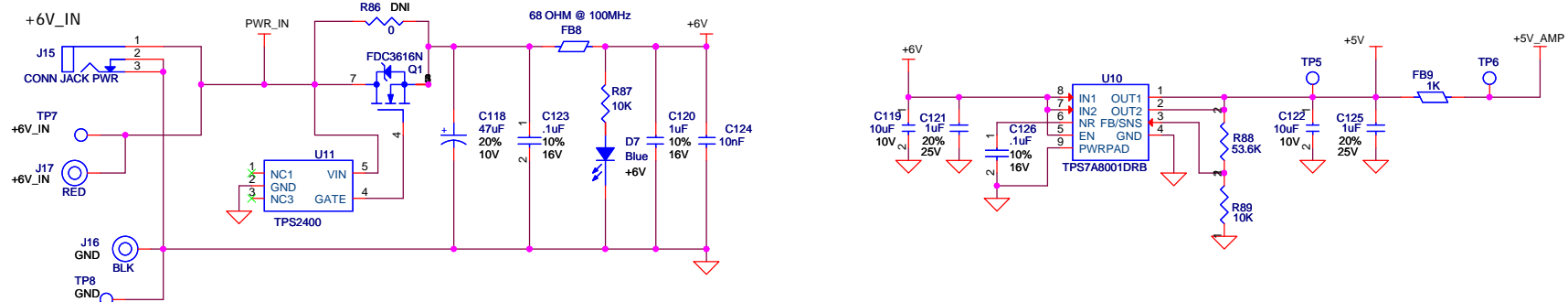


**TEXAS INSTRUMENTS**

Title: **TSW1265**

Size: **B** Document Number: **INTERFACE CONTROL** Rev: **A**

Date: **Wednesday, November 30, 2011** Sheet: **6** of **7**



**TEXAS INSTRUMENTS**

Title: **TSW1265**

Size: Document Number **POWER DISTRIBUTION** Rev **A**

Date: Friday, December 02, 2011 Sheet 7 of 7