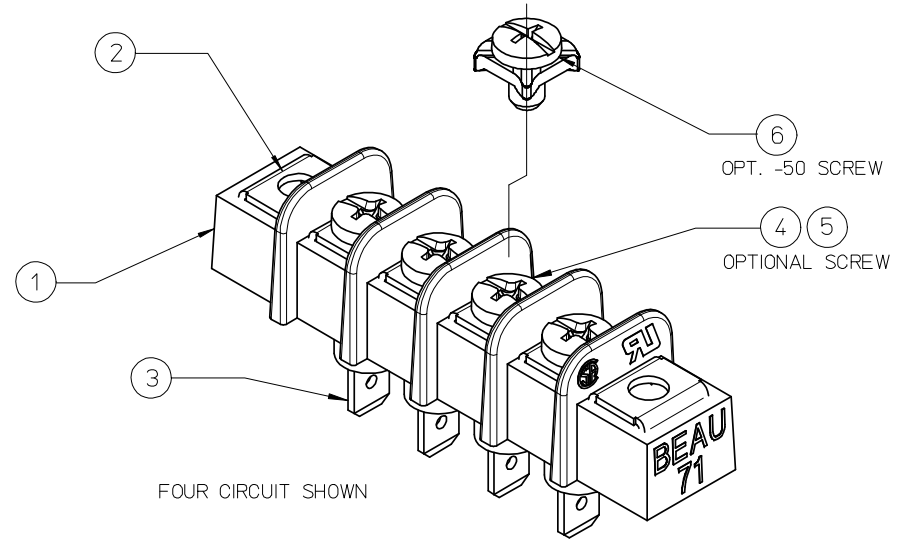
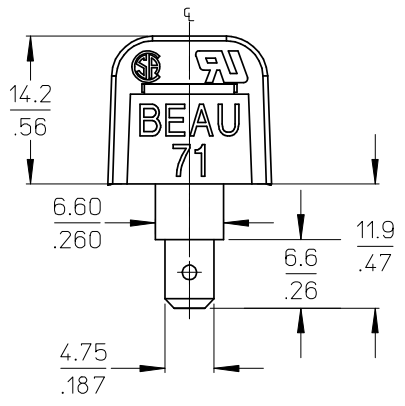


2 MTG HOLES



FOUR CIRCUIT SHOWN



NOTES:

- 1. MATERIAL: SEE TABLE
- 2. FINISHES: SEE TABLE
- 3. PRODUCT SPECIFICATION: NOT REQUIRED
- 4. "XX" REFERS TO NUMBER OF CIRCUITS.
- 5. ASSEMBLY IS ROHS COMPLIANT.

ITEM	QTY.	DESCRIPTION	MATERIAL	FINISH
6	XX	#6-32 PH/SLOTTED SCREW W/ WASHER (OPT -50)	STEEL	ZN, CLEAR CHROMATE
5	XX	#6-32 PH/SLOTTED SCREW (OPT -49)	BRASS	NICKEL PLATE
4	XX	#6-32 PH/SLOTTED SCREW (STANDARD)	STEEL	ZN, CLEAR CHROMATE
3	XX	TERMINAL, FAST TAB	BRASS	TIN PLATE
2	2	MOUNTING PLATE	BRASS	NICKEL PLATE
1	1	INSULATOR	POLYESTER (PBT)	BLACK

INITIAL RELEASE  
 EC NO: WNA2008-0180  
 DRWN: JENCINAS 2008/05/16  
 CH'KD: CYORK 2008/05/21  
 APPR: JMACNEIL 2008/05/22

QUALITY SYMBOLS  
 ▽=0  
 ▽=0

GENERAL TOLERANCES (UNLESS SPECIFIED)	
	mm
4 PLACES	± .005
3 PLACES	± .005
2 PLACES	± 0.13
1 PLACE	± 0.3

ANGULAR ± 2 °

DRAFT WHERE APPLICABLE MUST REMAIN WITHIN DIMENSIONS

DIMENSION STYLE	
MM	INCH
DRAWN BY	DATE
J. ENCINAS	2008/04/03
CHECKED BY	DATE
C. YORK	2008/04/04
APPROVED BY	DATE
J. MACNEIL	2008/04/07

SCALE	DESIGN UNITS	THIRD ANGLE PROJECTION
2:1	INCH	THIRD ANGLE PROJECTION
TITLE		
9.53MM/.375 SINGLE ROW BTS ASSY, LOW PROFILE INSUL. FT, W/MTG		
MATERIAL NO. SEE SHT. 2		
DOCUMENT NO. SD-38711-004		SHEET NO. 1 OF 2
THIS DRAWING CONTAINS INFORMATION THAT IS PROPRIETARY TO MOLEX INCORPORATED AND SHOULD NOT BE USED WITHOUT WRITTEN PERMISSION		

MATERIAL NO. (OPT -49)	MATERIAL NO. (OPT -50)	MATERIAL NO. (STANDARD)	NUMBER OF CIRCUITS "XX"	DIM. "A"		DIM. "B"		DIM. "C"	
387117002	387117302	387116702	02	40.2	[1.58]	9.53	[.375]	28.6	[1.13]
387117003	387117303	387116703	03	49.7	[1.96]	19.05	[.750]	38.1	[1.50]
387117004	387117304	387116704	04	59.2	[2.33]	28.58	[1.125]	47.6	[1.88]
387117005	387117305	387116705	05	68.7	[2.71]	38.10	[1.500]	57.2	[2.25]
387117006	387117306	387116706	06	78.3	[3.08]	47.63	[1.875]	66.7	[2.63]
387117007	387117307	387116707	07	87.8	[3.46]	57.15	[2.250]	76.2	[3.00]
387117008	387117308	387116708	08	97.3	[3.83]	66.68	[2.625]	85.7	[3.38]
387117009	387117309	387116709	09	106.8	[4.21]	76.20	[3.000]	95.3	[3.75]
387117010	387117310	387116710	10	116.4	[4.58]	85.73	[3.375]	104.8	[4.13]
387117011	387117311	387116711	11	125.9	[4.96]	95.25	[3.750]	114.3	[4.50]
387117012	387117312	387116712	12	135.4	[5.33]	104.78	[4.125]	123.8	[4.88]
387117013	387117313	387116713	13	144.9	[5.71]	114.30	[4.500]	133.4	[5.25]
387117014	387117314	387116714	14	154.5	[6.08]	123.83	[4.875]	142.9	[5.63]
387117015	387117315	387116715	15	164.0	[6.46]	133.35	[5.250]	152.4	[6.00]
387117016	387117316	387116716	16	173.5	[6.83]	142.88	[5.625]	161.9	[6.38]
387117017	387117317	387116717	17	183.0	[7.21]	152.40	[6.000]	171.5	[6.75]
387117018	387117318	387116718	18	192.6	[7.58]	161.93	[6.375]	181.0	[7.13]
387117019	387117319	387116719	19	202.1	[7.96]	171.45	[6.750]	190.5	[7.50]
387117020	387117320	387116720	20	211.6	[8.33]	180.98	[7.125]	200.0	[7.88]
387117021	387117321	387116721	21	221.1	[8.71]	190.50	[7.500]	209.6	[8.25]
387117022	387117322	387116722	22	230.7	[9.08]	200.03	[7.875]	219.1	[8.63]
387117023	387117323	387116723	23	240.2	[9.46]	209.55	[8.250]	228.6	[9.00]
387117024	387117324	387116724	24	249.7	[9.83]	219.08	[8.625]	238.1	[9.38]
387117025	387117325	387116725	25	259.2	[10.21]	228.60	[9.000]	247.7	[9.75]
387117026	387117326	387116726	26	268.8	[10.58]	238.13	[9.375]	257.2	[10.13]

SEE SHEET 1 EEC NO: WNA2008-0180 DRWN: JENCINAS 2008/05/16 CHKD: CYORK 2008/05/21 APPR: JMACNEIL 2008/05/22	REV DESCRIPTION A	QUALITY SYMBOLS ▽=0 ▽=0	GENERAL TOLERANCES (UNLESS SPECIFIED) mm INCH 4 PLACES ± --- ± --- 3 PLACES ± --- ± .005 2 PLACES ± 0.13 ± .01 1 PLACE ± 0.3 ± --- ANGULAR ± 2 °	DIMENSION STYLE MM/IN DRAWN BY DATE J. ENCINAS 2008/04/03 CHECKED BY DATE C. YORK 2008/04/04 APPROVED BY DATE J. MACNEIL 2008/04/07	SCALE 2:1 DESIGN UNITS INCH THIRD ANGLE PROJECTION	TITLE 9.53MM/.375 SINGLE ROW BTS ASSY, LOW PROFILE INSUL. FT, W/MTG
		DRAFT WHERE APPLICABLE MUST REMAIN WITHIN DIMENSIONS	MATERIAL NO. SEE CHART	DOCUMENT NO. SD-38711-004	SHEET NO. 2 OF 2	
		SIZE B THIS DRAWING CONTAINS INFORMATION THAT IS PROPRIETARY TO MOLEX INCORPORATED AND SHOULD NOT BE USED WITHOUT WRITTEN PERMISSION				
		MOLEX INCORPORATED				