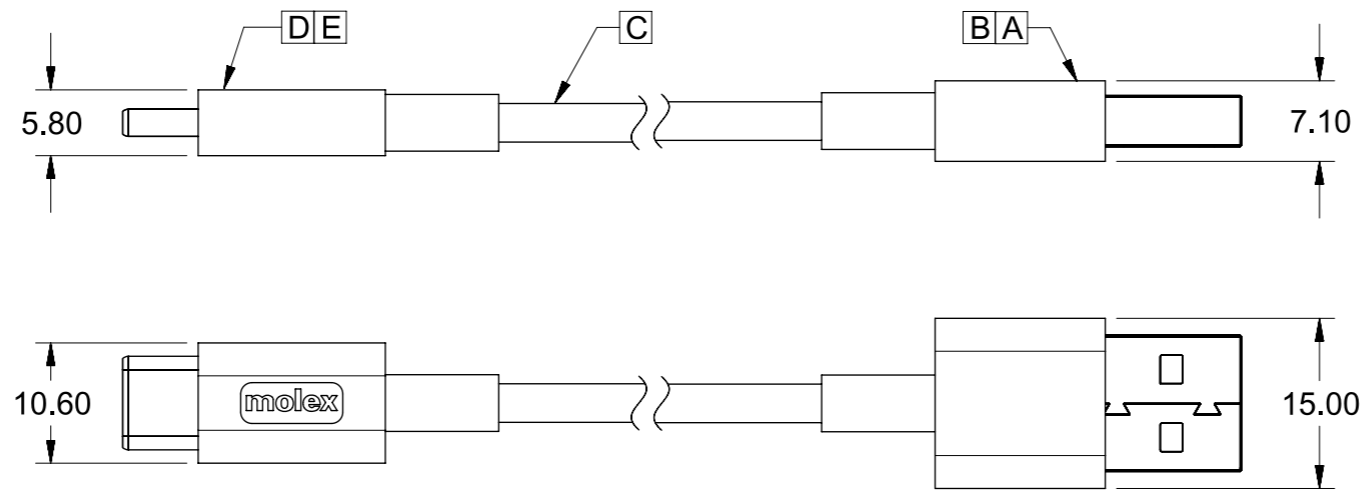
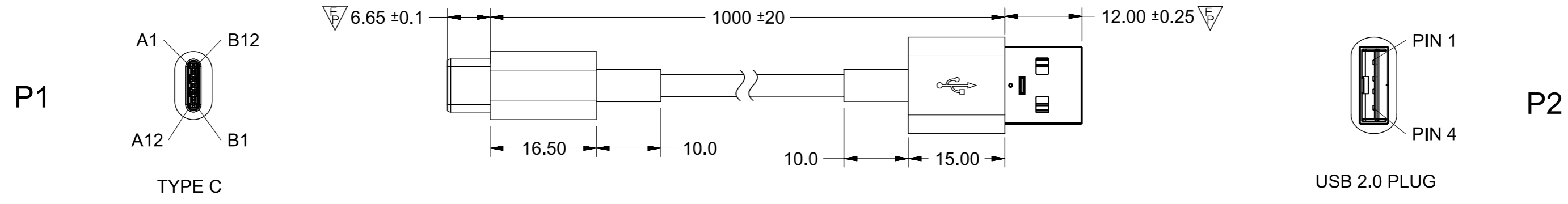
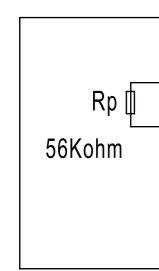


REVISIONS				
EC NO	DATE	REV	DESCRIPTION	CHANGER
CY18-5434	2018/4/17	B	CHANGE WIRE CHART	LUCY
CY18-5925	2017/07/25	C	CHANGE TYPE C PLUG AND RESIN	LUCY
CY18-6139	2018/09/14	D	CHANGE METAL SHELL AND DELETE PE RESIN	LUCY



PIN ASSIGNMENTS				
Type C	SIGNAL NAME	WIRE COLOR	USB 2.0	SIGNAL NAME
A1,B1,A12,B12	GND	DRAIN	4	GND
A4,B4,A9,B9	VBUS	RED	1	VBUS
A5	CC	-	-	-
B5	VCONN	-	-	-
A6	Dp1	GREEN	3	D+
A7	Dn1	WHITE	2	D-
SHELL	SHIELD	BRAID	SHELL	SHIELD



E	metal shell	1
D	Type C plug Au 30u" 22pin+PCBA 2.0	1
C	1Px30AWG+1Cx24AWG,shielded,TPE,White,OD3.40mm,UL21104 (C-A USB2.0 3A 1M)	AR
B	METAL SHELL FOR USB 2.0 PLUG	1
A	USB2.0, plug, A type plating 30u"	1
ITEM	DESCRIPTION	QTY.

SYMBOLS DIMENSION UNITS: mm SCALE: 1.5:1 GENERAL TOLERANCES (UNLESS SPECIFIED): ANGULAR TOL ± 3.0° 4 PLACES ± 3 PLACES ± 2 PLACES ± 0.25 1 PLACE ± 0.5 0 PLACES ± DRAFT WHERE APPLICABLE MUST REMAIN WITHIN DIMENSIONS THIRD ANGLE PROJECTION DRAWING: A3-SIZE SERIES: 201241 MATERIAL NUMBER: 687980009 CUSTOMER: GENERAL MARKET SHEET NUMBER: 1 OF 2	THIS DRAWING CONTAINS INFORMATION THAT IS PROPRIETARY TO MOLEX ELECTRONIC TECHNOLOGIES, LLC AND SHOULD NOT BE USED WITHOUT WRITTEN PERMISSION CURRENT REV DESC: EC NO: 604454 DRWN: ZZXIAN 2018/09/14 CHK'D: LLI205 2018/09/14 APPR: LHUIU 2018/09/14 INITIAL REVISION: DRWN: XJGUO01 2016/08/18 APPR: FNIE 2017/12/25			
	USB 2.0 TYPE C TO A WHITE CABLE, L=1M,3A		PRODUCT CUSTOMER DRAWING DOCUMENT NUMBER: 2012410147 DOC TYPE: PSD DOC PART: 000 REVISION: D	

6

5

4

3

2

1

NOTE:

1. OVERMOLDING SPECIFICATION:

- 1.1 SR MOLDING: TPE WHITE RESIN
- 1.2 OUTER MOLDING: TPE WHITE RESIN

2. APPLICATION CONDITION

- 2.1 WORKING TEMPERATURE: -10°--- +50°
- 2.2 STORAGE TEMPERATURE: -20°--- +60°

3. MECHANICAL PERFORMACNE

- 3.1. BENDING TEST:200G, +/-90°, 12~14CYCLES/MINUTES, R=25.4MM,
HORIZONTAL FOR 500 CYCLES AND VERTICAL FOR 500 CYCLES, NO LESS THAN
1000 times/cycles*3 CYCLES=3000 TIMES


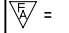
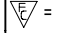
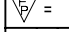
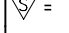

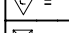

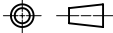

- 3.2. CABLE SHOULD WITHSTAND A PULL FORCE 40N FOR ONE

MINUTE WITHOUT VISIBLE TERMINATION DAMAGE.PER EIA 364-38 METHOD A

4. ELECTRICAL PERFORMACNE

- 4.1 100% OPEN AND SHORT TEST
- 4.2 HIGH FREQUENCY ELECTRICAL PERFORMANCE MEET USB TYPE-C LEGACY CABLE, C - PLUG A, USB 2.0 REQUIREMENT
- 4.3 CURRENT RATING:3A, VOLTAGE DROP SHALL BE 250mV FOR GND AND 500mV FOR VBUS.

5. THIS PRODUCT MUST MEET EU RoHS

THIS DRAWING CONTAINS INFORMATION THAT IS PROPRIETARY TO MOLEX ELECTRONIC TECHNOLOGIES, LLC AND SHOULD NOT BE USED WITHOUT WRITTEN PERMISSION									
SYMBOLS	DIMENSION UNITS		SCALE	CURRENT REV DESC:					
	mm		1:1						
 = 0	GENERAL TOLERANCES (UNLESS SPECIFIED)			EC NO: 604454 DRWN: ZZXIAN 2018/09/14 CHK'D: LL1205 2018/09/14 APPR: LHLIU 2018/09/14			USB 2.0 TYPE C TO A WHITE CABLE, L=1M,3A		
 = 0	ANGULAR TOL ± 3.0°								
 = 0	4 PLACES	±		INITIAL REVISION: DRWN: XJGUO01 2016/08/18 APPR: FNIE 2017/12/25			PRODUCT CUSTOMER DRAWING		
 = 0	3 PLACES	±							
 = 0	2 PLACES	±	0.25	DOCUMENT NUMBER: 2012410147 DOC TYPE: PSD DOC PART: 000 REVISION: D					
 = 0	1 PLACE	±	0.5						
 = 0	0 PLACES	±		THIRD ANGLE PROJECTION 			MATERIAL NUMBER: 687980009 CUSTOMER: GENERAL MARKET SHEET NUMBER: 2 OF 2		
 = 0	DRAFT WHERE APPLICABLE MUST REMAIN WITHIN DIMENSIONS								

DOCUMENT STATUS | P1 | RELEASE DATE | 2018/09/14 09:02:57

FORMAT: master-ds-prod-A4
REVISION: H
DATE: 2018/01/18

6

5

4

3

2

1