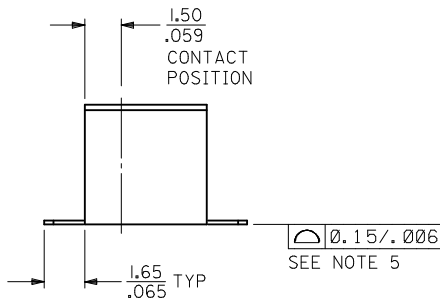
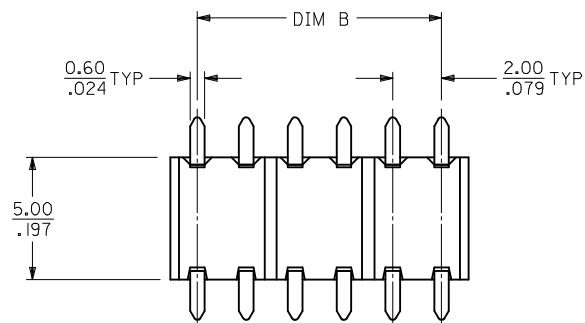
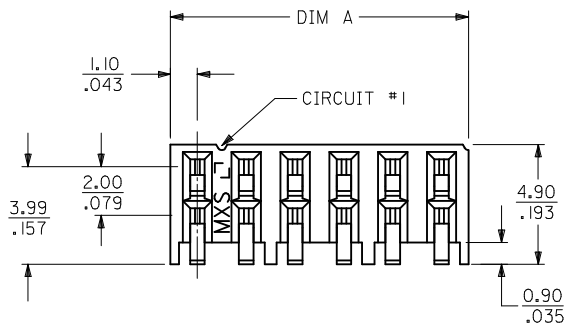
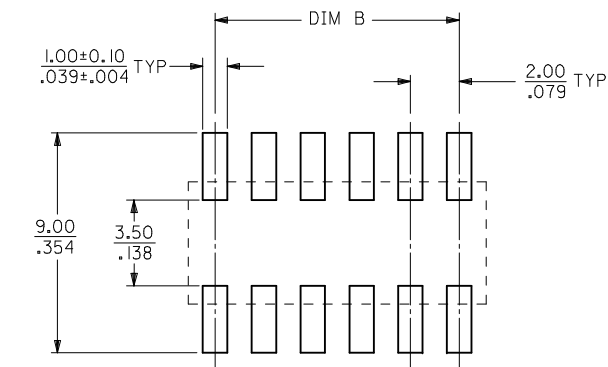


PART NUMBER IN TAPE/REEL	PART NUMBER IN TAPE/REEL	CKT. SIZE	DIM A	DIM B	W	EMBOSSED TYPE
0.76um/30u" GOLD	0.38um/15 u" GOLD					
-	87368-1110	10	10.20/0.402	8.00/0.315	24.00/0.945	A
-	87368-1112	12	12.20/0.480	10.00/0.394	24.00/0.945	A
87368-0320	87368-1120	20	20.20/0.795	18.00/0.709	32.00/1.260	B
-	87368-1140	40	40.20/1.583	38.00/1.496	56.00/2.205	C
-	87368-1150	50	50.20/1.976	48.00/1.890	72.00/2.835	B



NOTE:

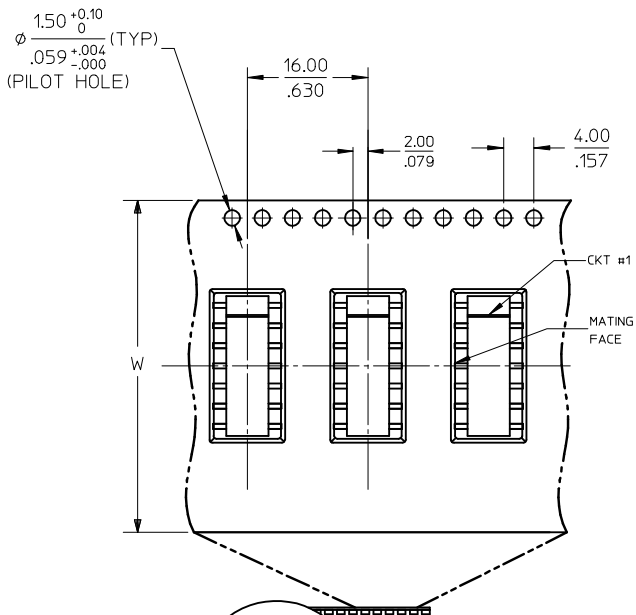
- MATERIAL: HOUSING - NYLON, GLASS FILLED, UL94V-0
COLOR: BLACK
TERMINAL - PHOSPHOR BRONZE
- FINISHES: TERMINAL - SELECTIVE GOLD IN THE CONTACT AREA:
THICKNESS = SEE TABLE
2.54um/100um MIN. SELECTIVE TIN
IN THE PC SOLDER TAIL AREA
BOTH OVER 1.27um/50um MIN. NICKEL OVERALL
- PRODUCT SPECIFICATION: PS-87264
- CIRCUIT SIZE 12 IS SHOWN FOR ILLUSTRATION ONLY, SEE CHART FOR AVAILABLE CIRCUIT SIZES.
- COPLANARITY OF SOLDER TAIL IS TO BE MEASURED BY RESTING THE PART ON A FLAT GAUGE SURFACE.
- PART MATEABLE TO ALL MILLI-GRID HEADERS WITH MATING PIN LENGTH BETWEEN 2.50mm AND 4.20mm.
- PART IS PACK IN TAPE AND REEL.
- PARTS SHALL BE PACKED IN MOISTURE BARRIER BAG.



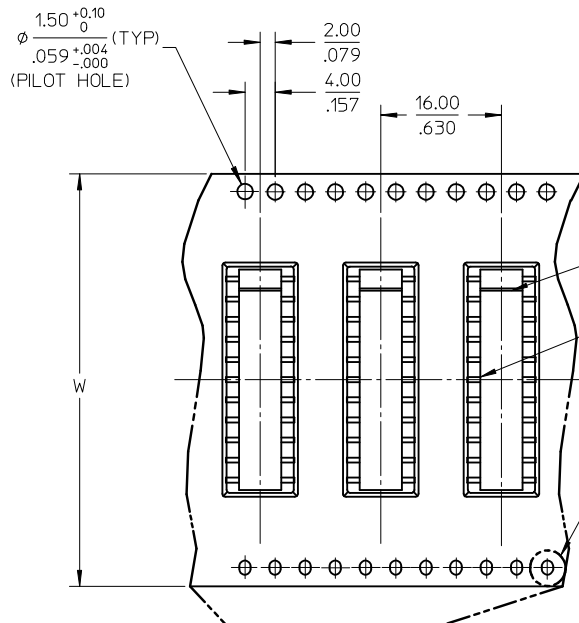
RECOMMENDED PC BOARD LAYOUT

CORRECT PILOT HOLES LOCATION EC NO: S2010-0008 DRWN:SKANG 2009/07/14 CHKD:ATSEE 2009/07/14 APPR:MLONG 2009/07/17	QUALITY SYMBOLS ▽=0 C=0	GENERAL TOLERANCES (UNLESS SPECIFIED)		DIMENSION STYLE MM/IN		SCALE NTS	DESIGN UNITS METRIC	THIRD ANGLE PROJECTION		
			mm	INCH	DRAWN BY JSGOH	DATE 1999/02/12	TITLE MGRID SIDE ENTRY RECEPTACLE SMT			
		4 PLACES	± ---	± ---	CHECKED BY LCHANG	DATE 1999/06/10	MATERIAL NO. SD-87368-001			
		3 PLACES	± ---	± .008	APPROVED BY JLIM	DATE 1999/06/17	DOCUMENT NO. SD-87368-001			
		2 PLACES	± 0.20	± ---	DRAFT WHERE APPLICABLE MUST REMAIN WITHIN DIMENSIONS					
		1 PLACE	± ---	± ---	SHEET NO. 1 OF 2					
		ANGULAR ± 3 °		SIZE A3		THIS DRAWING CONTAINS INFORMATION THAT IS PROPRIETARY TO MOLEX INCORPORATED AND SHOULD NOT BE USED WITHOUT WRITTEN PERMISSION				

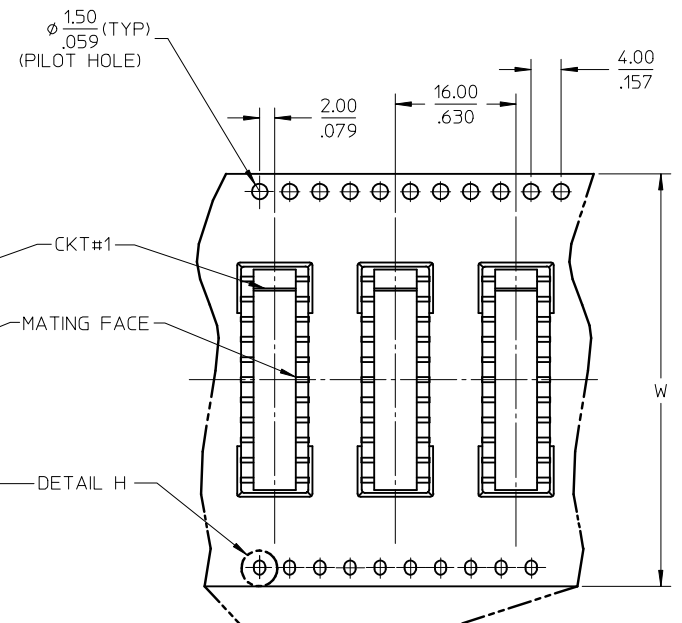
EMBOSSED TYPE A



EMBOSSED TYPE B

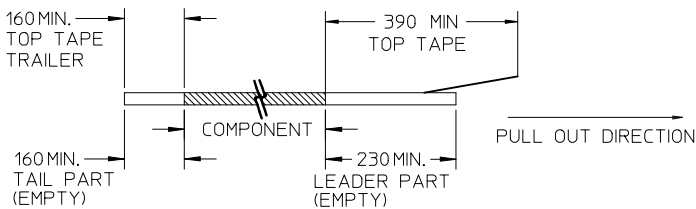


EMBOSSED TYPE C

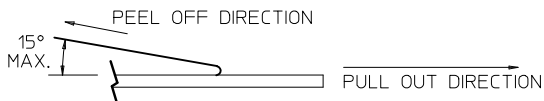


NOTES:

1. LEADER AND TRAILER TAPE

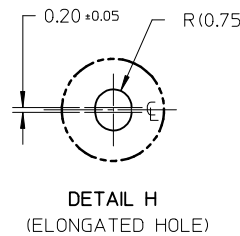


2. PEELING OFF FORCE OF THE TOP TAPE: 20-80gf. (PEELING DIRECTION AS SHOWN IN FOLLOWING FIGURE)



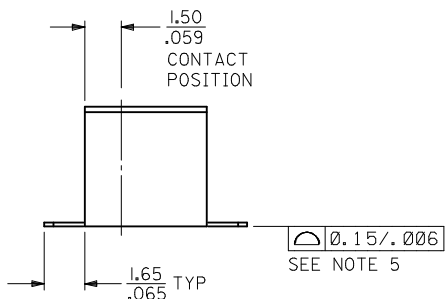
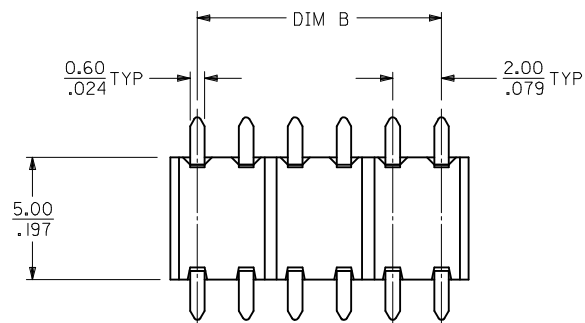
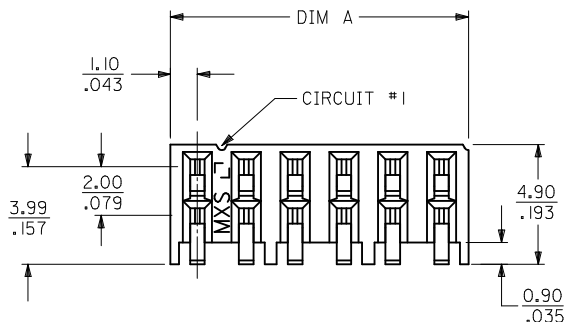
3. PACKAGING STANDARD IS AS PER EIA-481.

4. TAPE & REEL QUANTITY = 750PCS/REEL

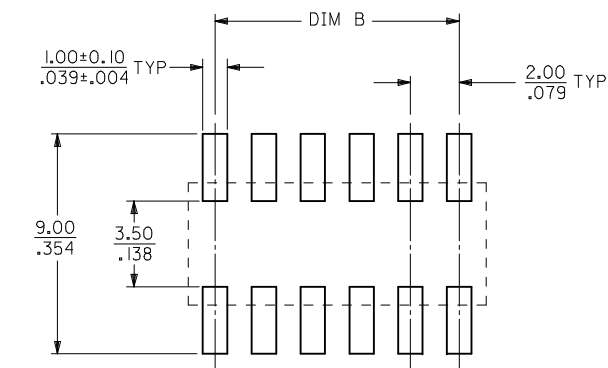


CORRECT PILOT HOLES LOCATION EC NO: S2010-0008 DRWN:SKANG 2009/07/14 CHKD:ATSEE 2009/07/14 APPR:MLONG 2009/07/17	DESCRIPTION D4	QUALITY SYMBOLS ▽=0 ▽=0	GENERAL TOLERANCES (UNLESS SPECIFIED)		DIMENSION STYLE	SCALE	DESIGN UNITS	THIRD ANGLE PROJECTION		
			mm	INCH	MM/IN	NTS	METRIC			
			4 PLACES ± --- ± ---	3 PLACES ± --- ± .008	DRAWN BY	DATE	TITLE			
			2 PLACES ± 0.20 ± ---	1 PLACE ± --- ± ---	CHECKED BY	DATE	MGRID SIDE ENTRY RECEPTACLE SMT			
ANGULAR ± 3 °			DRAFT WHERE APPLICABLE MUST REMAIN WITHIN DIMENSIONS		APPROVED BY	DATE	MOLEX INCORPORATED			
					JLIM	1999/06/17	DOCUMENT NO. SD-87368-001			
					MATERIAL NO. SEE TABLE		SHEET NO. 2 OF 2			
					THIS DRAWING CONTAINS INFORMATION THAT IS PROPRIETARY TO MOLEX INCORPORATED AND SHOULD NOT BE USED WITHOUT WRITTEN PERMISSION					

PART NUMBER IN TAPE/REEL	PART NUMBER IN TAPE/REEL	CKT. SIZE	DIM A	DIM B	W	EMBOSSED TYPE
0.76um/30u" GOLD	0.38um/15 u" GOLD					
-	87368-1110	10	10.20/0.402	8.00/0.315	24.00/0.945	A
-	87368-1112	12	12.20/0.480	10.00/0.394	24.00/0.945	A
87368-0320	87368-1120	20	20.20/0.795	18.00/0.709	32.00/1.260	B
-	87368-1140	40	40.20/1.583	38.00/1.496	56.00/2.205	C
-	87368-1150	50	50.20/1.976	48.00/1.890	72.00/2.835	B



- NOTE:
- MATERIAL: HOUSING - NYLON, GLASS FILLED, UL94V-0
COLOR: BLACK
TERMINAL - PHOSPHOR BRONZE
 - FINISHES: TERMINAL - SELECTIVE GOLD IN THE CONTACT AREA:
THICKNESS = SEE TABLE
2.54um/100um MIN. SELECTIVE TIN
IN THE PC SOLDER TAIL AREA
BOTH OVER 1.27um/50um MIN. NICKEL OVERALL
 - PRODUCT SPECIFICATION: PS-87264
 - CIRCUIT SIZE 12 IS SHOWN FOR ILLUSTRATION ONLY, SEE CHART FOR AVAILABLE CIRCUIT SIZES.
 - COPLANARITY OF SOLDER TAIL IS TO BE MEASURED BY RESTING THE PART ON A FLAT GAUGE SURFACE.
 - PART MATEABLE TO ALL MILLI-GRID HEADERS WITH MATING PIN LENGTH BETWEEN 2.50mm AND 4.20mm.
 - PART IS PACK IN TAPE AND REEL.
 - PARTS SHALL BE PACKED IN MOISTURE BARRIER BAG.



RECOMMENDED PC BOARD LAYOUT

CORRECT PILOT HOLES LOCATION EC NO: S2010-0008 DRWN:SKANG 2009/07/14 CHKD:ATSEE 2009/07/14 APPR:MLONG 2009/07/17	QUALITY SYMBOLS ▽=0 ∇=0	GENERAL TOLERANCES (UNLESS SPECIFIED)		DIMENSION STYLE		SCALE	DESIGN UNITS	THIRD ANGLE PROJECTION		
		mm	INCH	MM/IN		NTS	METRIC			
		4 PLACES	± ---	± ---	DRAWN BY	DATE	TITLE			
		3 PLACES	± ---	± .008	JSGOH	1999/02/12	MGRID SIDE ENTRY RECEPTACLE SMT			
2 PLACES	± 0.20	± ---	CHECKED BY	DATE						
1 PLACE	± ---	± ---	LCHANG	1999/06/10	MOLEX INCORPORATED					
ANGULAR ± 3 °			APPROVED BY	DATE						
DRAFT WHERE APPLICABLE MUST REMAIN WITHIN DIMENSIONS		SEE TABLE		JLIM	1999/06/17	DOCUMENT NO.		SHEET NO.		
				MATERIAL NO.		SD-87368-001		1 OF 2		
				THIS DRAWING CONTAINS INFORMATION THAT IS PROPRIETARY TO MOLEX INCORPORATED AND SHOULD NOT BE USED WITHOUT WRITTEN PERMISSION						

