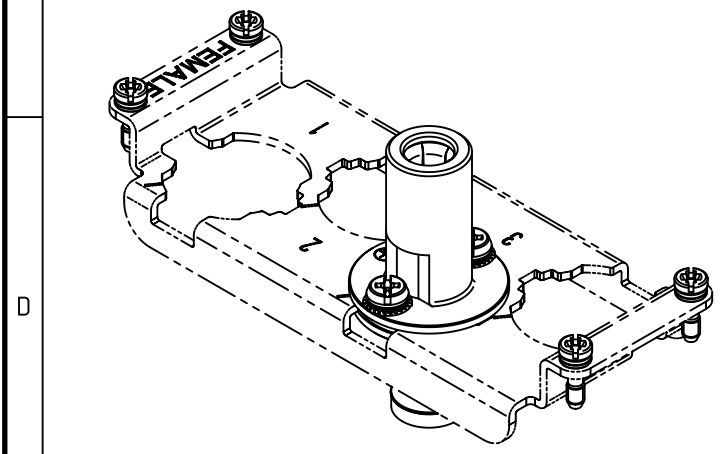


assembly notes see catalog  
 crimp zone acc. to DIN EN 46235; indicator 12  
 for stranded fine wire acc. to VDE 0295 class 5/IEC 60228 class 5  
 wire gauge: 35mm<sup>2</sup>  
 stripping length: 20mm



	All Dimensions in mm Original Size DIN A4		Scale 2:1	Free size tol.		Ref.
						Sub.
	All rights reserved		Created by FINKEV	Inspected by SCHNIEDER	Standardisation SCHMIDTM	Date 2015-01-19
	Department EL PD - DE					State Final Release
HARTING Electric GmbH & Co. KG D-32339 Espelkamp			Title HC250 PE female-contact			Doc-Key / ECM-Nr. 100206434/UGD/004/A 500000083632
			Type TB	Number 09 11 000 6204		Rev. A Page 1/1