

Number of contacts

**4+**

40 A 400/690 V 6 kV 3  
 + 2 additional signal contacts  
 10 A 250 V 4 kV 3

Han-Power

Identification

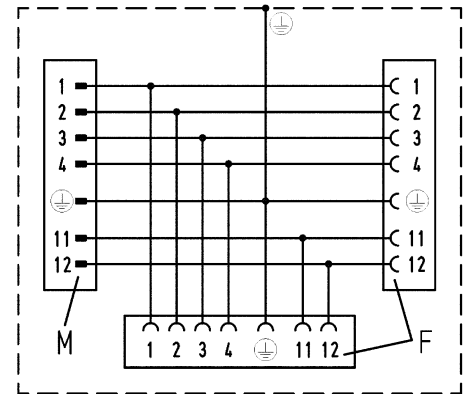
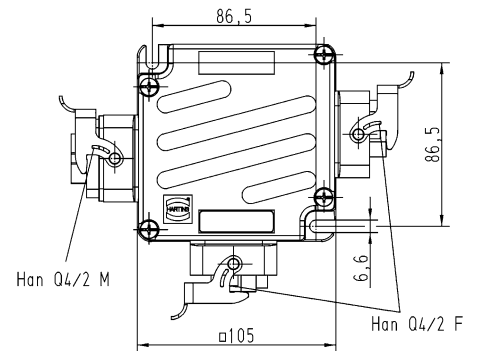
Han-Power® T,  
 Energy distributor,  
 With 3x Han® Q 4/2,  
 in Han-Compact® Housings, bulkhead mounting



Part number

09 12 008 4720

Drawing  
 (dimensions in mm)



Wiring diagram