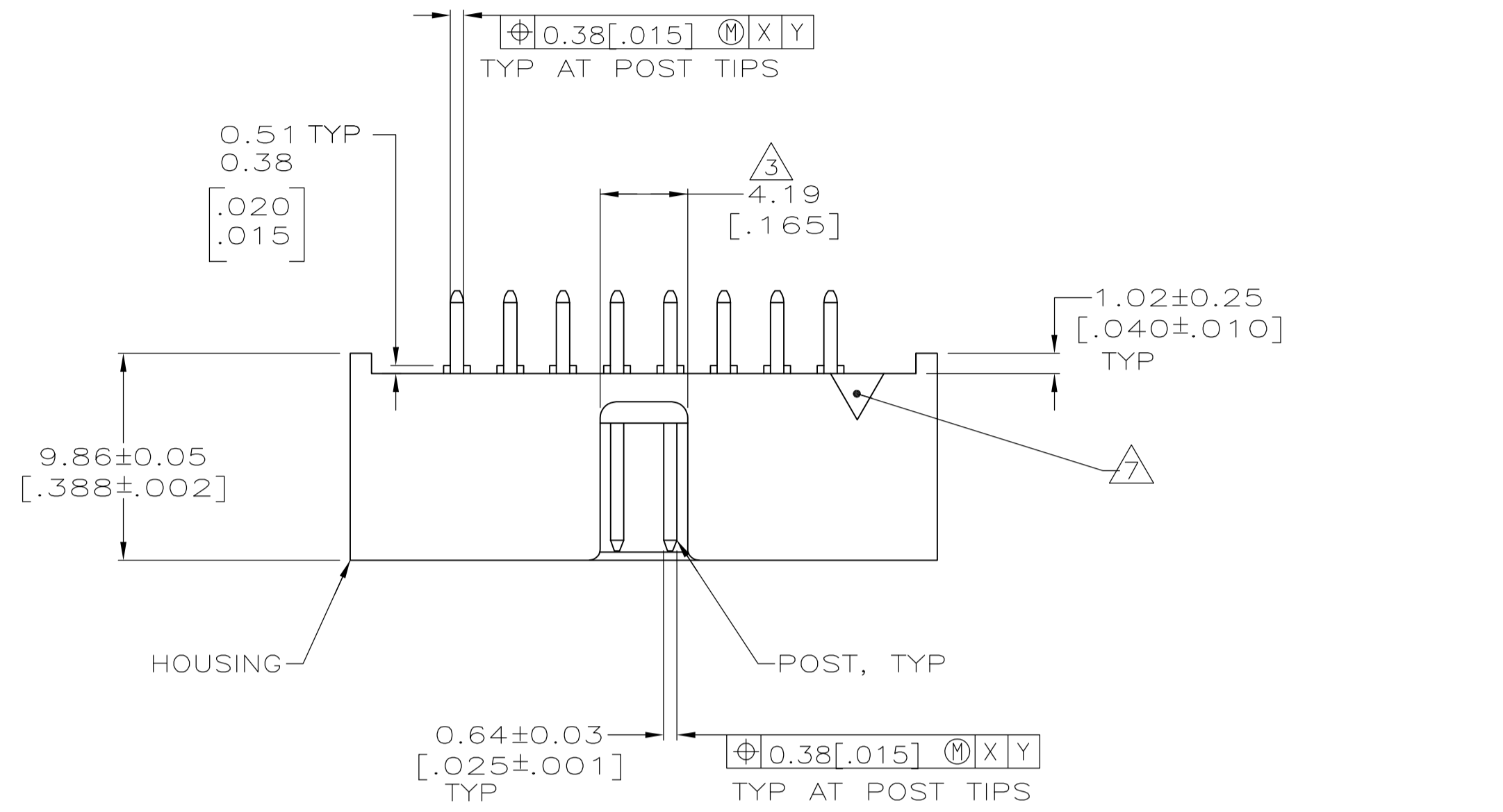
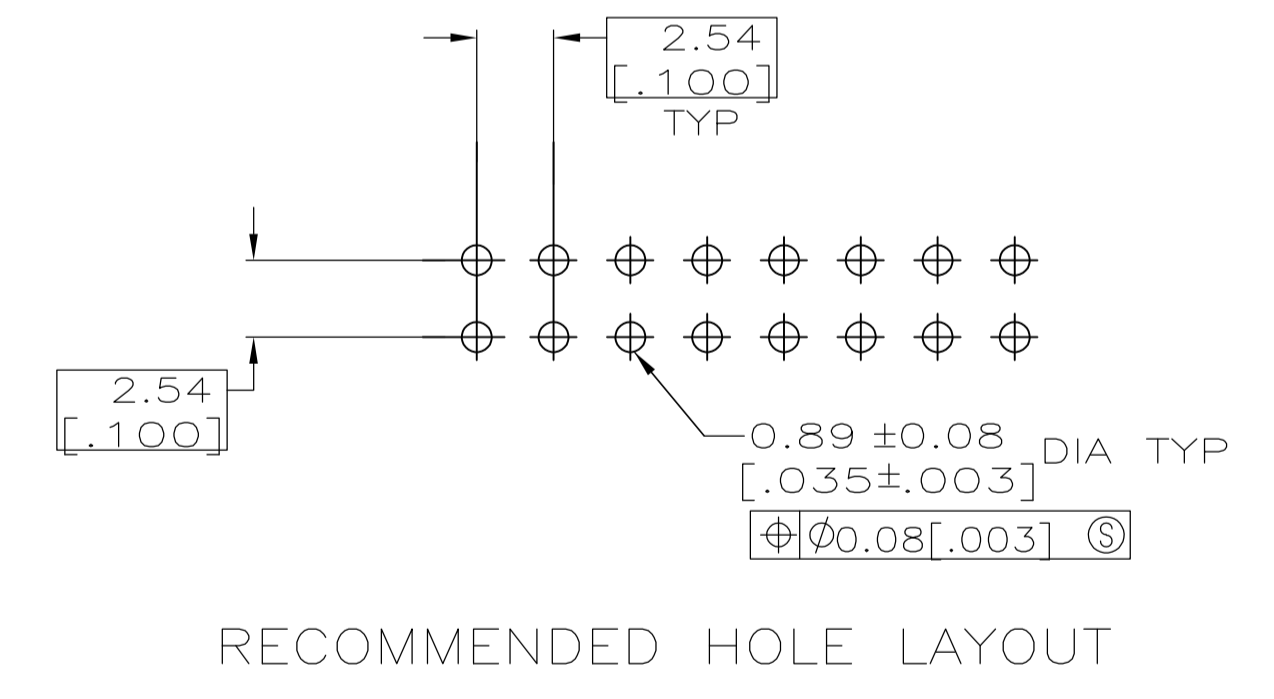
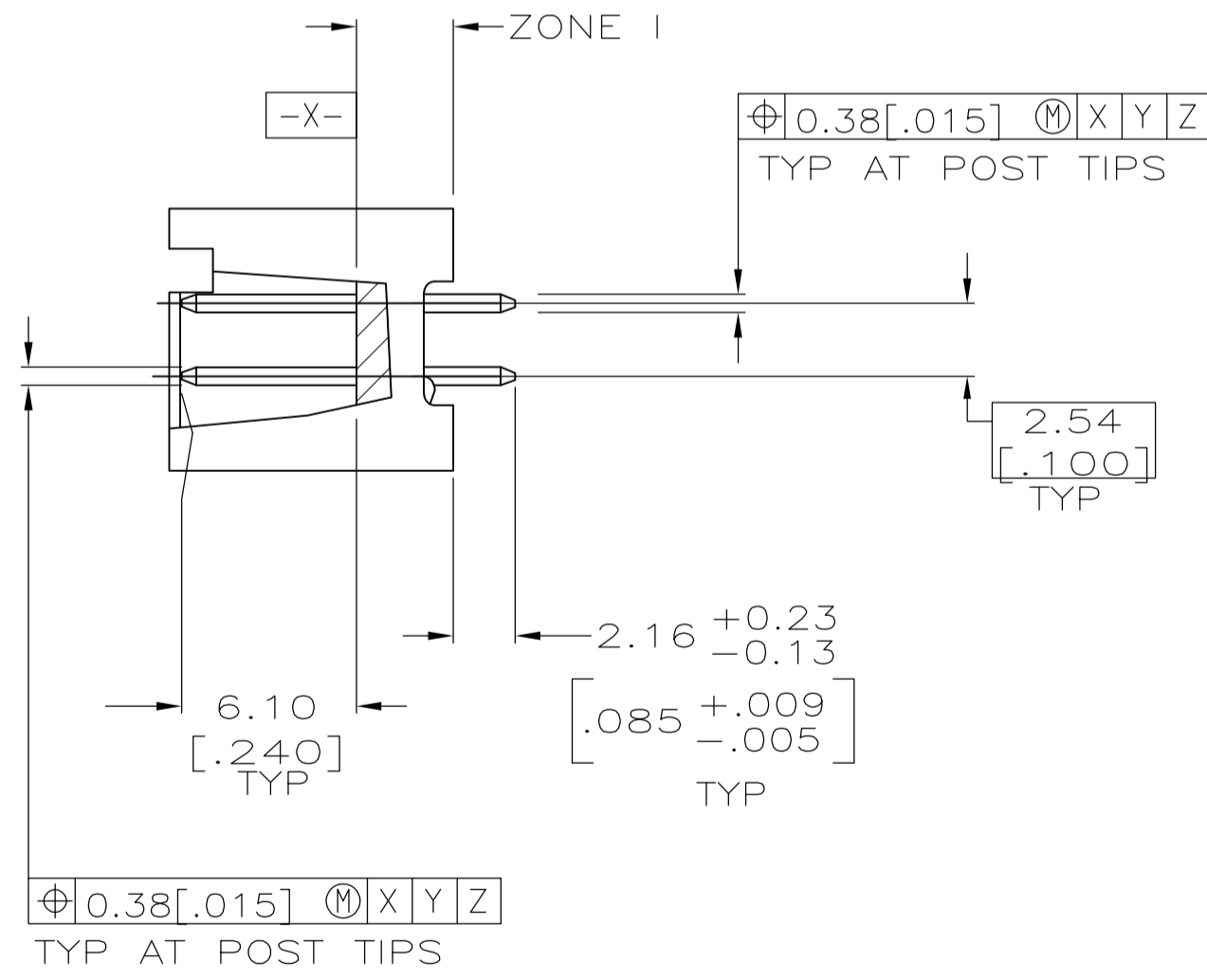
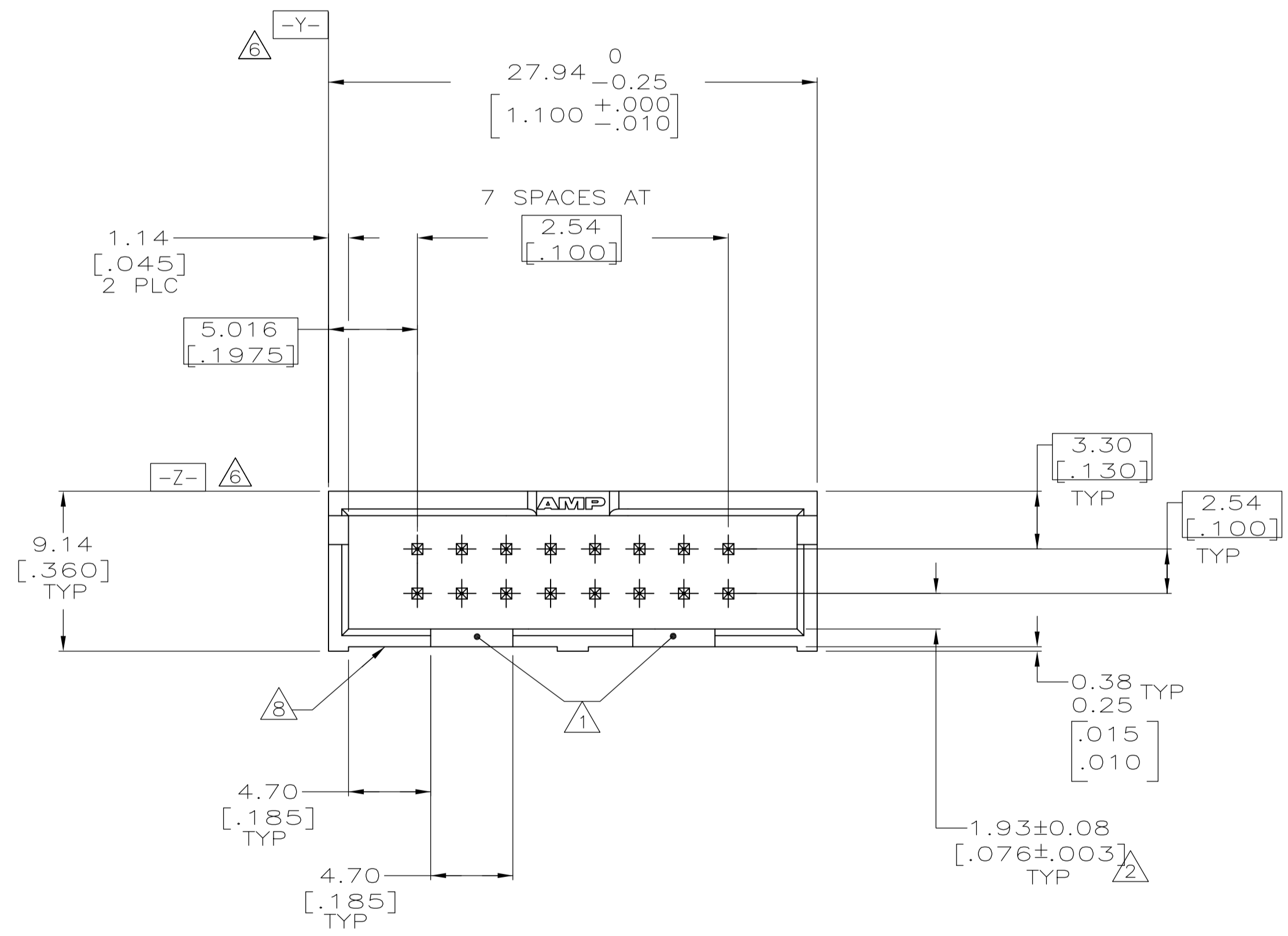


REVISIONS					
P	LTR	DESCRIPTION	DATE	OWN	APVD
F1		REVISED PER ECO-17-006767	02JUN2017	IT	WH



- △ DOUBLE BAR POLARIZATION.
- △ DIMENSION APPLIES AT THE INTERSECTION OF THE POST AND HOUSING.
- △ CENTER POLARIZATION SLOT.
- △ HOUSING: GLASS FILLED NYLON OR PBT, BLACK, UL 94V-0 RATED. POSTS: BRASS.
- △ POSTS: GOLD FLASH OVER PALLADIUM-NICKEL PLATE, 0.38μm[.000015] MIN TOTAL ON THE MATING SURFACES, 2.54μm[.000100] MIN TIN-LEAD PLATE ON THE SOLDER-TAILS, 1.27μm[.000050] MIN NICKEL UNDERPLATE ON THE ENTIRE POST.
-OR-
0.38μm[.000015] MIN GOLD PLATE ON THE MATING SURFACES, 2.54μm[.000100] MIN TIN-LEAD PLATE ON THE SOLDER-TAILS, 1.27μm[.000050] MIN NICKEL UNDERPLATE ON THE ENTIRE POST.
- △ DATUMS Y AND Z APPLY IN ZONE I.
- △ NUMBER 1 POSITION INDICATOR.
- △ OPTIONAL AMP IDENTIFICATION NUMBER (DATE CODE). LOCATION APPROXIMATELY WHERE SHOWN.



OBSELETE	16	111669-3
	NO OF POSN	PART NUMBER

THIS DRAWING IS A CONTROLLED DOCUMENT.		DIN H MOLL 11-5-92	TE Connectivity	
DIMENSIONS: mm [INCHES]		CHK W G LENKER 11-6-92	NAME	
TOLERANCES UNLESS OTHERWISE SPECIFIED:		APVD R KILE 11-10-92	PRODUCT SPEC	
0 PLC ± -	1 PLC ± -	108-40018		
2 PLC ± ± 0.13[.005]	3 PLC ± ± -	APPLICATION SPEC		
4 PLC ± ± -	ANGLES ± ± -	SIZE	CAGE CODE	DRAWING NO
MATERIAL	FINISH	WEIGHT	A1 00779	111669
△	△	CUSTOMER DRAWING	SCALE	SHEET
			4:1	1 OF 1
				REV F1