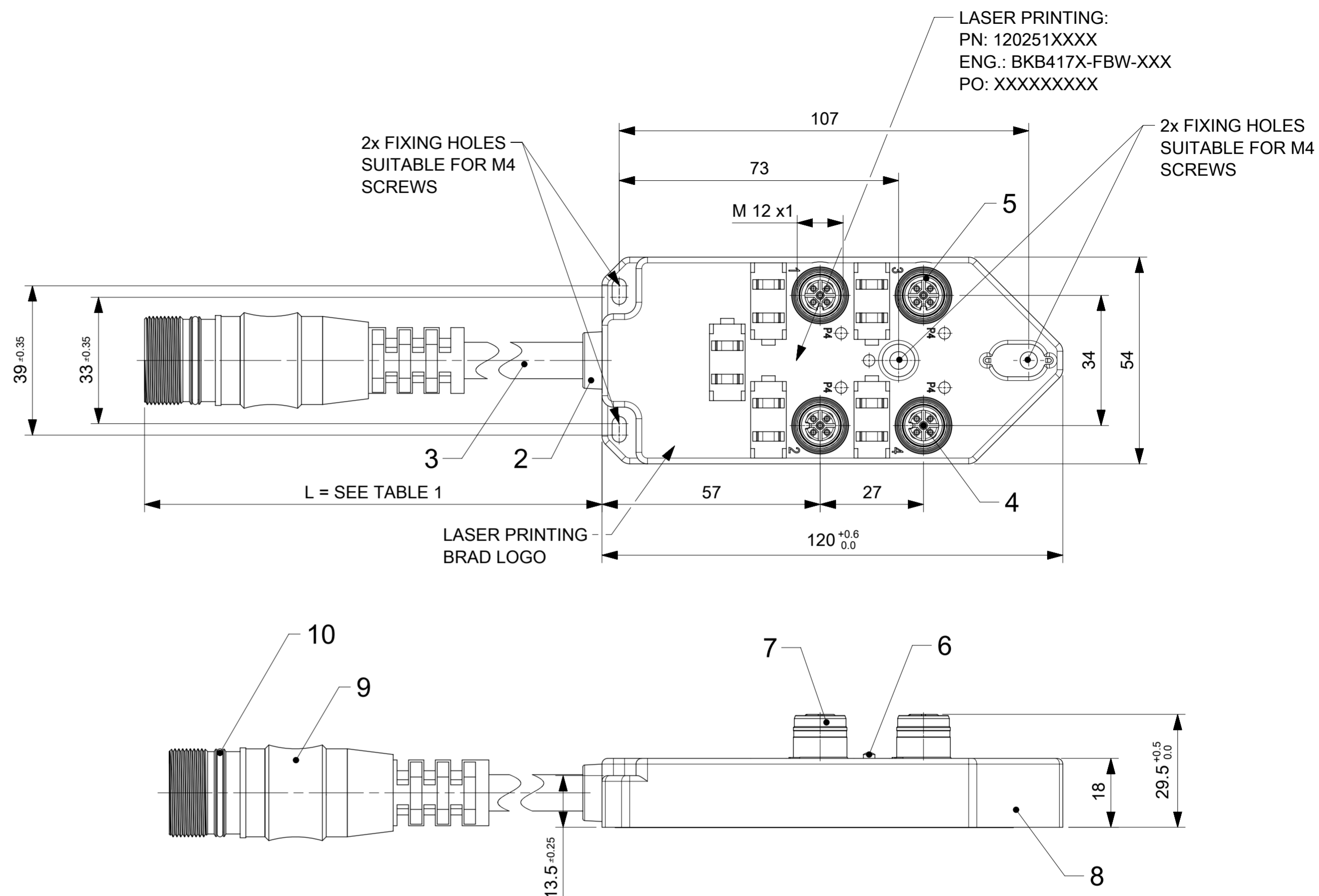


TABLE 1

MOLEX P/N	ENG. NO.	CABLE LENGTH (mm)	LED
1202510093	BKB417P-FBW-003	300	YES
1202510094	BKB417N-FBW-003	300	YES

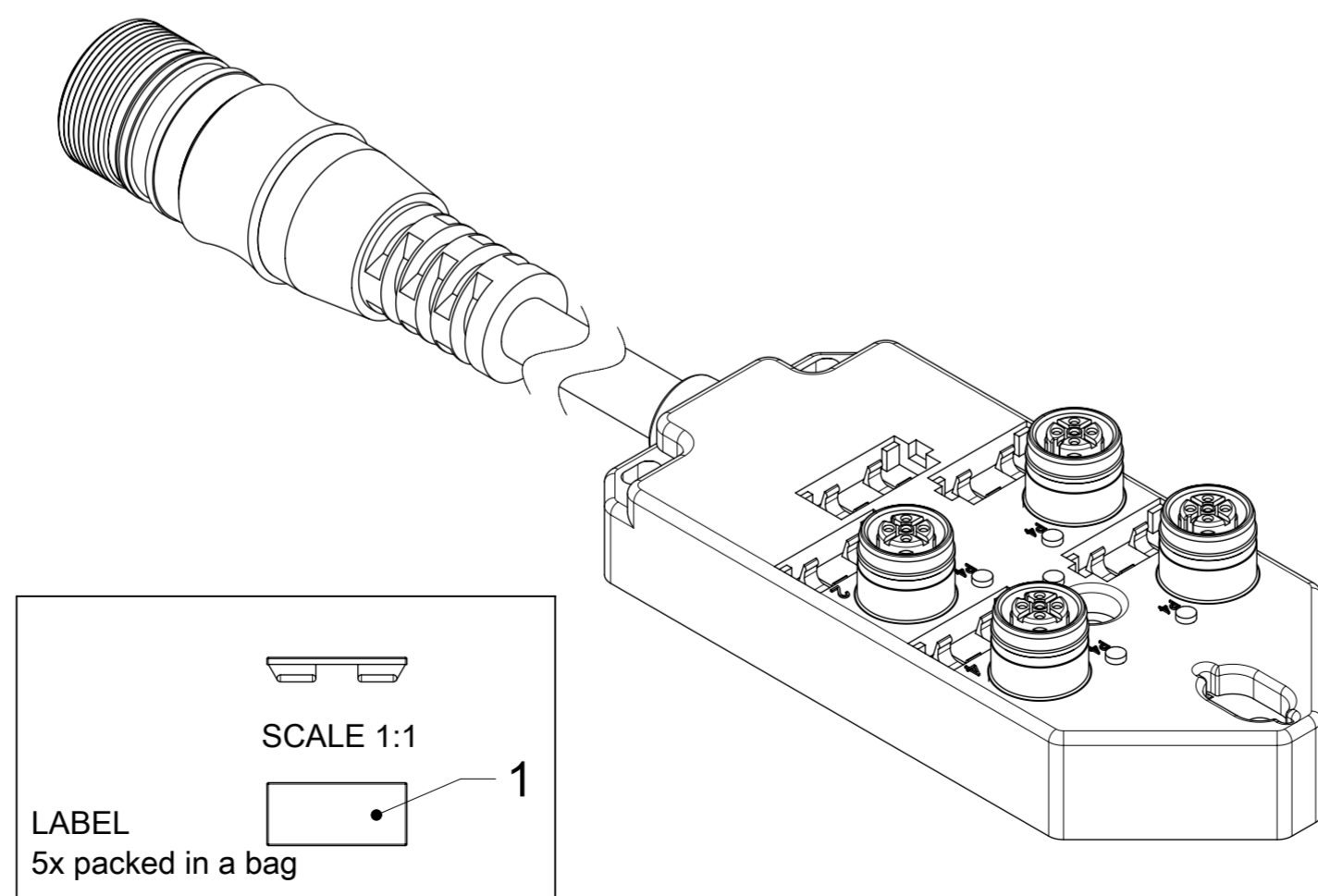
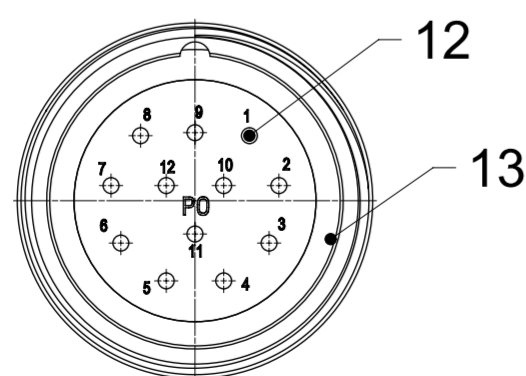
TABLE 2 BILL OF MATERIAL

ITEM	DESCRIPTION	MATERIAL	FINISH
1	LABEL	ABS	WHITE
2	CABLE PLATE	PBT	BLACK
3	CABLE	TPU BASED	BLACK
4	CONTACT	BRONZE	GOLD OVER NICKEL
5	O-RING	FPM	RED
6	LED	NON LED = PA	BLACK
		WITH LED = PA	TRANSPARENT
7	SHELL	BRASS	NICKEL PLATED
8	HOUSING	PBT	BLACK
9	OVERMOLD	PUR	BLACK
10	O-RING	NBR	BLACK
11	SHELL	BRASS	NICKEL PLATED
12	CONTACT	BRONZE	GOLD OVER NICKEL
13	O-RING	NBR	BLACK



PIN	COLOR
1	WHITE
2	GREEN
3	YELLOW
4	GREY
5	PINK
6	RED
7	BLACK
8	VIOLETT
9	BLUE
10	BLUE
11	BROWN
12	YELLOW/GREEN

M23 12PIN FRONT VIEW



GENERAL CHARACTERISTICS:

ELECTRICAL AND MECHANICAL DATA ACC. TO IEC 61076-2-101

NOMINAL VOLTAGE: 10-30 V DC
 AMPERE RATING: 4 A PER PORT / 12 A MAX
 AMPERE RATING WITH UL REGISTRATION: 3 A PER PORT / 9 A MAX
 IP DEGREE OF PROTECTION: IP 67
 TEMPERATURE RANGE: -25°C to + 85°C

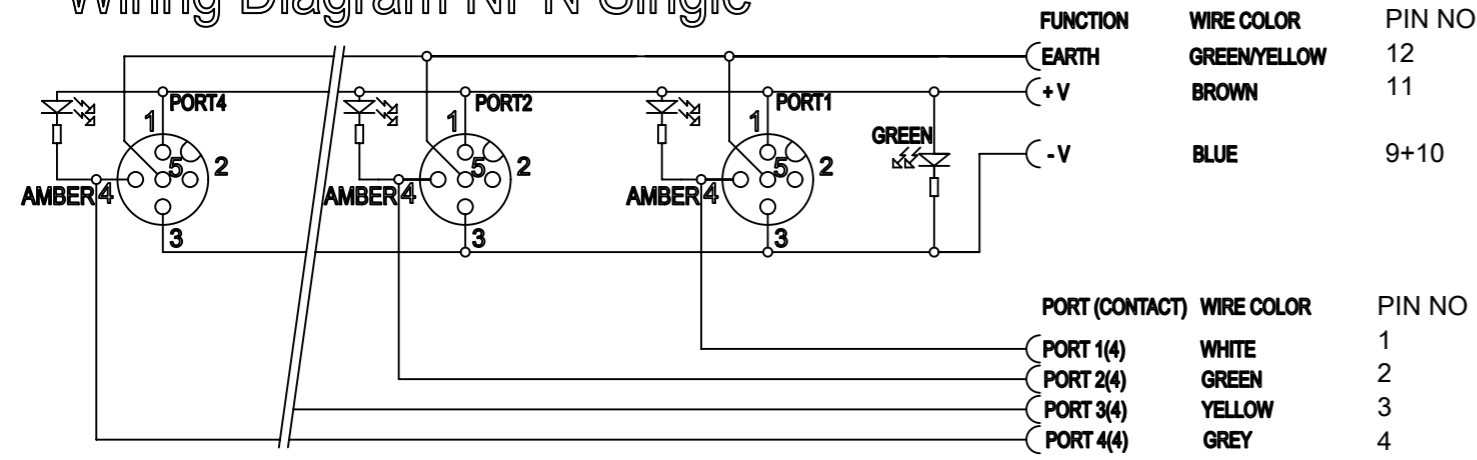
SYMBOLS	THIS DRAWING CONTAINS INFORMATION THAT IS PROPRIETARY TO MOLEX ELECTRONIC TECHNOLOGIES, LLC AND SHOULD NOT BE USED WITHOUT WRITTEN PERMISSION	
DIMENSION UNITS	SCALE	CURRENT REV DESC: INITIAL RELEASE
∇ = 0	mm	1:1
∇ = 0	GENERAL TOLERANCES (UNLESS SPECIFIED)	
∇ = 0	ANGULAR TOL ± 1.0°	
∇ = 0	4 PLACES ±	
∇ = 0	3 PLACES ±	
∇ = 0	2 PLACES ± 0.05	
∇ = 0	1 PLACE ± 0.3	
∇ = 0	0 PLACES ± 0.5	
∇ = 0	DRAFT WHERE APPLICABLE MUST REMAIN WITHIN DIMENSIONS	
∇ = 0	THIRD ANGLE PROJECTION	DRAWING SERIES
∇ = 0	A2-SIZE	120251
EC NO: 631635		DRWN: MDHARMANTI 2020/01/28
CHK'D: RSILLER 2020/02/05		APPR: RSILLER 2020/02/05
INITIAL REVISION:		DRWN: SSM 2019/01/04
APPR: RSILLER 2020/01/17		DRWN: SSM 2020/01/17
DOCUMENT NUMBER	DOC TYPE	DOC PART
1202510093	PSD	000
CUSTOMER	SHEET NUMBER	
GENERAL MARKET	1 OF 2	



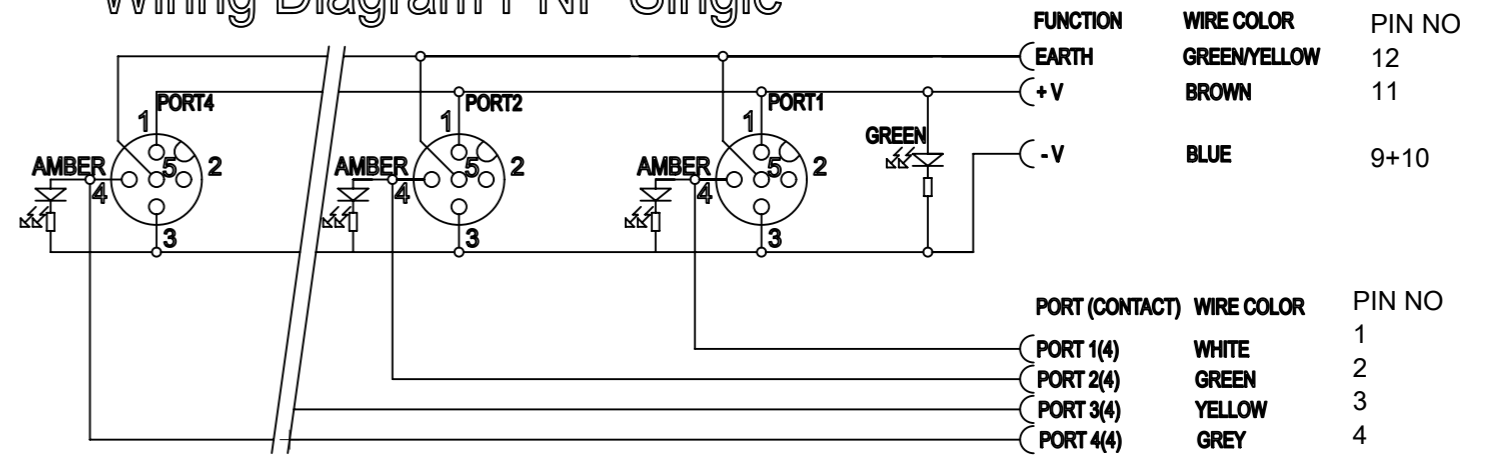
MPIS U12 PNP 4P 4PT 0.3M M23 12P BK

PRODUCT CUSTOMER DRAWING

Wiring Diagram NPN Single



Wiring Diagram PNP Single



CABLE LENGTH TOLERANCES

LENGTH [m]	TOLERANCE [mm]
0-1	+40
>1-5	+60
>5-10	+80
>10-20	+140
>20-30	+160
>30	+1% length

THIS DRAWING CONTAINS INFORMATION THAT IS PROPRIETARY TO MOLEX ELECTRONIC TECHNOLOGIES, LLC AND SHOULD NOT BE USED WITHOUT WRITTEN PERMISSION

SYMBOLS: $\nabla = 0$, $\nabla = 0$, $\nabla = 0$, $\nabla = 0$, $\nabla = 0$, $\nabla = 0$, $\nabla = 0$, $\nabla = 0$, $\nabla = 0$, $\nabla = 0$

DIMENSION UNITS	SCALE	CURRENT REV DESC: INITIAL RELEASE			
mm	1:1	molex MPIS U12 PNP 4P 4PT 0.3M M23 12P BK			
GENERAL TOLERANCES (UNLESS SPECIFIED)				EC NO: 631635 DRWN: MDHARMANTI 2020/01/28 CHK'D: RSILLER 2020/02/05 APPR: RSILLER 2020/02/05	
ANGULAR TOL $\pm 1.0^\circ$				PRODUCT CUSTOMER DRAWING INITIAL REVISION: DRWN: SSM 2019/01/04 APPR: RSILLER 2020/01/17	
4 PLACES \pm		DOCUMENT NUMBER	DOC TYPE	DOC PART	REVISION
3 PLACES \pm		1202510093	PSD	000	A1
2 PLACES ± 0.05		MATERIAL NUMBER		CUSTOMER	
1 PLACE ± 0.3		SEE TABLE 1		GENERAL MARKET	
0 PLACES ± 0.5		SERIES		SHEET NUMBER	
DRAFT WHERE APPLICABLE MUST REMAIN WITHIN DIMENSIONS		THIRD ANGLE PROJECTION	DRAWING	SERIES	SHEET NUMBER
			A3-SIZE	120251	2 OF 2