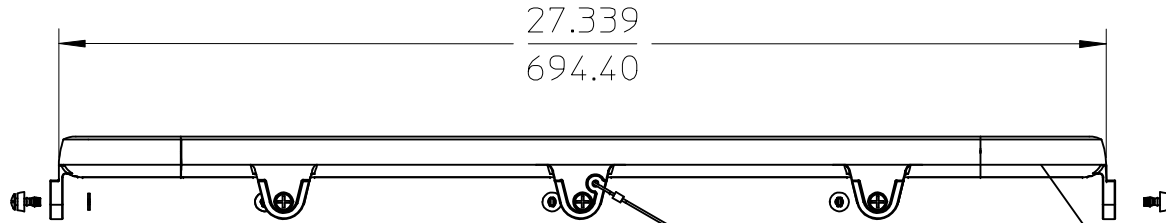
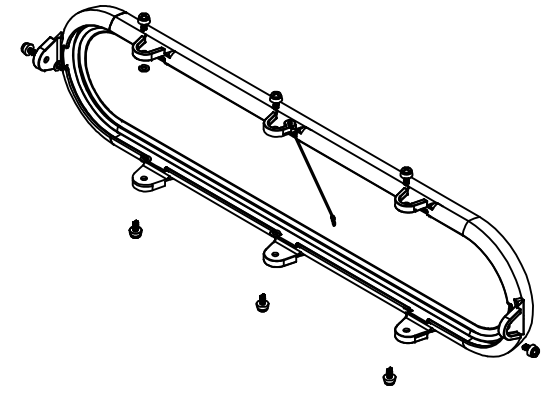


LENS/GASKET ASSEMBLY INCLUDES:

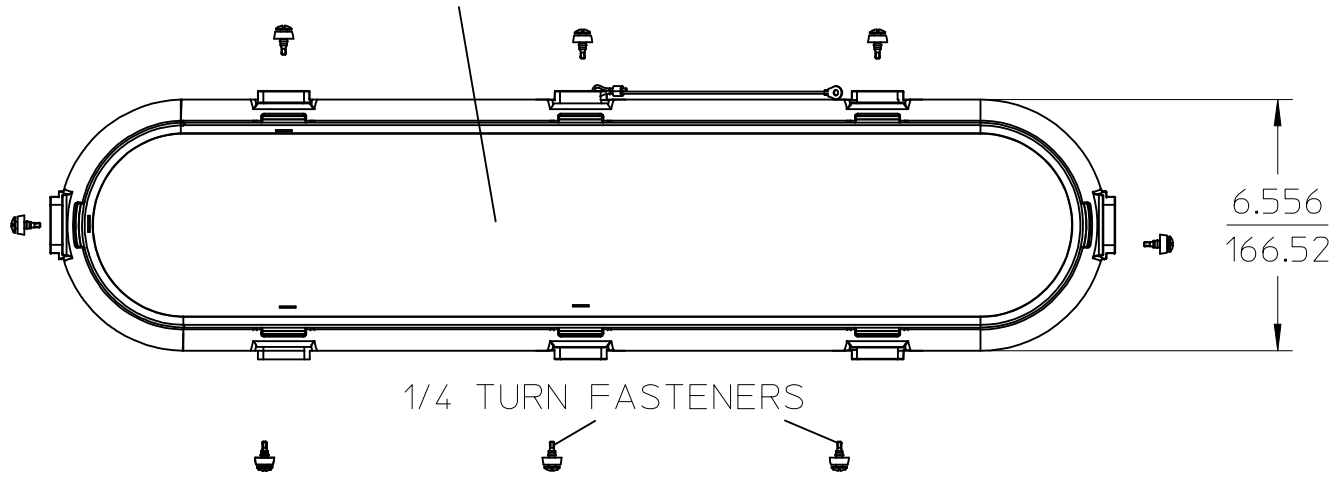
- 1 CLEAR LENS
- 1 RED SILICONE LENS GASKET
- 1 LANYARD HANGING ASSEMBLY
- 8 1/4 TURN FASTENER ASSEMBLIES



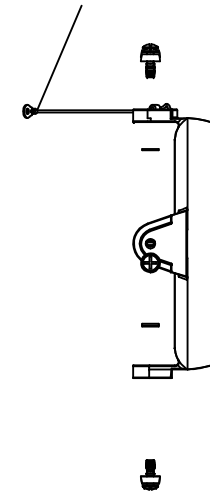
CLEAR LENS

LENS GASKET

LANYARD ASSEMBLY



1/4 TURN FASTENERS



REPLACE LENS ASSY EC NO: WNA2009-0494 DRW:NKOCHANSKI 2009/02/05 CHKD:DTITUS APPR:DTITUS 2009/02/06	DESCRIPTION
	1
	REV

QUALITY SYMBOLS
▼=0
∇=0

GENERAL TOLERANCES (UNLESS SPECIFIED)		
	mm	INCH
4 PLACES	± ---	± ---
3 PLACES	± ---	± ---
2 PLACES	± ---	± ---
1 PLACE	± ---	± ---
ANGULAR ±1/2°		
DRAFT WHERE APPLICABLE MUST REMAIN WITHIN DIMENSIONS		

DIMENSION STYLE	
IN/MM	
DRAWN BY	DATE
MRK	2009/02/05
CHECKED BY	DATE
DTITUS	2009/02/05
APPROVED BY	DATE
MATERIAL NO.	
1301890009	
SIZE	
A	

SCALE	DESIGN UNITS	THIRD ANGLE PROJECTION
1:10	INCH	
TITLE		
ZONE 2 REPLACEMENT LENS/GASKET ASSY		
MOLEX INCORPORATED		
MATERIAL NO.	DOCUMENT NO.	SHEET NO.
1301890009	SD-130189-001	1 OF 1
THIS DRAWING CONTAINS INFORMATION THAT IS PROPRIETARY TO MOLEX INCORPORATED AND SHOULD NOT BE USED WITHOUT WRITTEN PERMISSION		