

△4 キャビティ番号および金型番号
CAV & MOLD NUMBER

△4 トレードマーク
TRADE MARK

回路番号N
CIRCUIT N

回路番号1
CIRCUIT 1

回路番号1マーク
CIRCUIT 1 MARK

注記:

NOTES:

△1 材質: TABLE 1参照
MATERIAL: SEE TABLE 1

△2 偶数極に適用
APPLY TO EVEN CIRCUIT

△3 製品仕様書、コネクタ取扱説明書、適合嵌合相手、
適合端子はSHEET 2をご参照ください。
PLEASE REFER TO SHEET 2 FOR PRODUCT SPECIFICATION,
APPLICATION SPECIFICATION, MATE WITH
AND APPLICABLE TERMINAL.

△4 トレードマーク: MXLにて表示。
キャビティ暗号: 1桁から2桁の数字にて表示。
金型番号: アルファベット1文字にて表示。
TRADE MARK IS FORMED BY MXL.
AND BY 1-2 DIGIT NUMBER (TO CAVITY NUMBER)
AND BY LETTER OF ALPHABET (TO MOLD NUMBER)

△5 発注番号
ORDER NUMBER

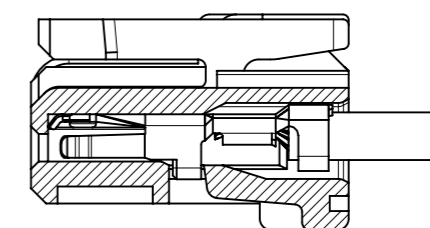
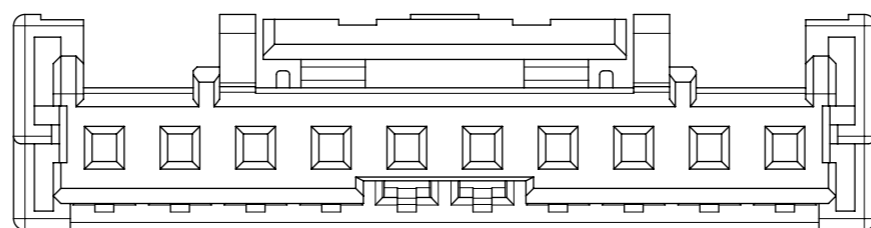
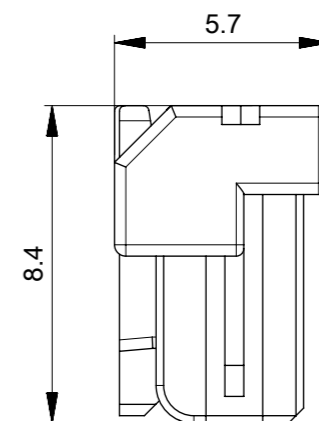
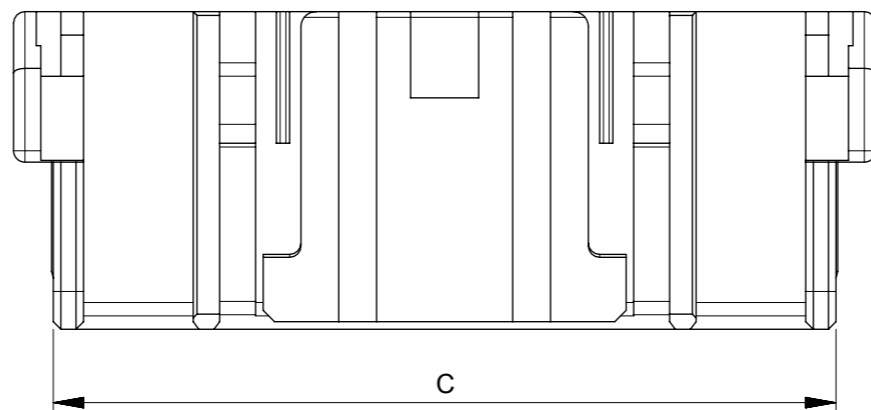
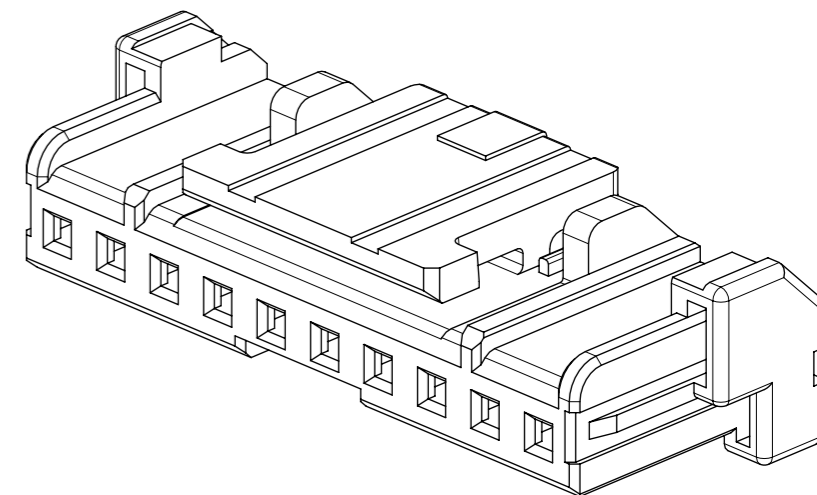
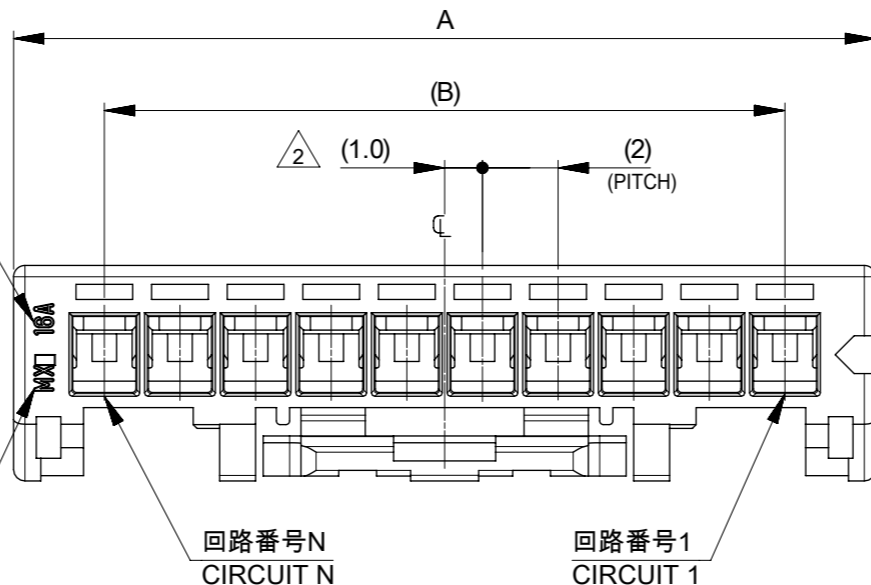
505570**0*

極数
CIRCUIT SIZE

番号 NO.	ハウジングカラー HOUSING COLOR
0	ナチュラル(白) NATURAL (WHITE)
1	黒 BLACK

△1 TABLE 1

部品 PART	材質 MATERIAL
ハウジング HOUSING	ポリエステル(PBT), UL94 V-0, 色: SHEET 2参照 POLYESTER(PBT), UL94 V-0, COLOR: SEE SHEET 2
DOCUMENT STATUS	P1 RELEASE DATE 2022/06/30 07:36:23

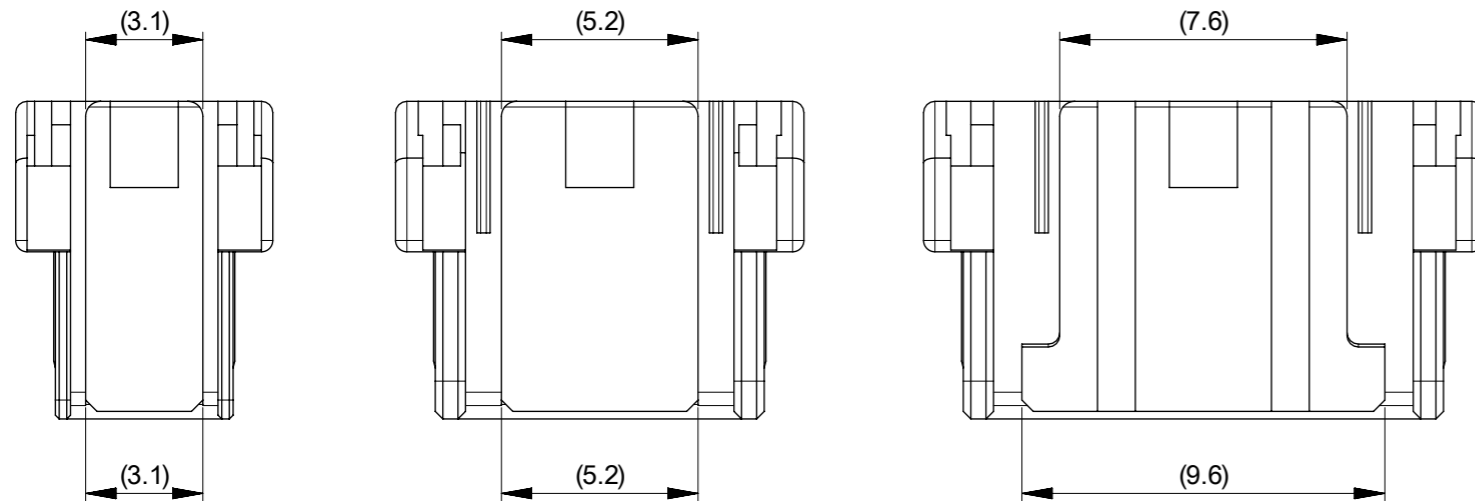


ターミナル装着図
TERMINAL ASSEMBLY DRAWING

32.7	30	34.8	16
30.7	28	32.8	15
28.7	26	30.8	14
26.7	24	28.8	13
24.7	22	26.8	12
22.7	20	24.8	11
20.7	18	22.8	10
18.7	16	20.8	9
16.7	14	18.8	8
14.7	12	16.8	7
12.7	10	14.8	6
10.7	8	12.8	5
8.7	6	10.8	4
6.7	4	8.8	3
4.7	2	6.8	2
C	B	A	極数 CIRCUIT SIZE

DIMENSION UNITS		SCALE	CURRENT REV DESC: REVISED			molex		
mm		NTS				MICRO-LOCK PLUS 2.0 SINGLE ROW RECEPTACLE HOUSING		
GENERAL TOLERANCES (UNLESS SPECIFIED)						PRODUCT CUSTOMER DRAWING		
ANGULAR TOL		± 3.0°	EC NO: 682239			DOCUMENT NUMBER		
4 PLACES		±	DRWN: SOKUMURA01 2021/02/22			5055700001		
3 PLACES		±	CHK'D: SAKIYAMA 2022/06/30			DOC TYPE DOC PART REVISION		
2 PLACES		±	APPR: AIDA 2022/06/30			PSD 000 B		
1 PLACE		± 0.2	INITIAL REVISION:			MATERIAL NUMBER		
0 PLACES		± 0.2	DRWN: TENAGASE 2016/03/29			CUSTOMER		
			APPR: TKANEKO 2016/04/18			GENERAL		
DRAFT WHERE APPLICABLE MUST REMAIN WITHIN DIMENSIONS		THIRD ANGLE PROJECTION	DRAWING	SERIES	MATERIAL NUMBER	CUSTOMER		SHEET NUMBER
			A3-SIZE	505570	SEE SHEET 3	GENERAL		1 OF 2

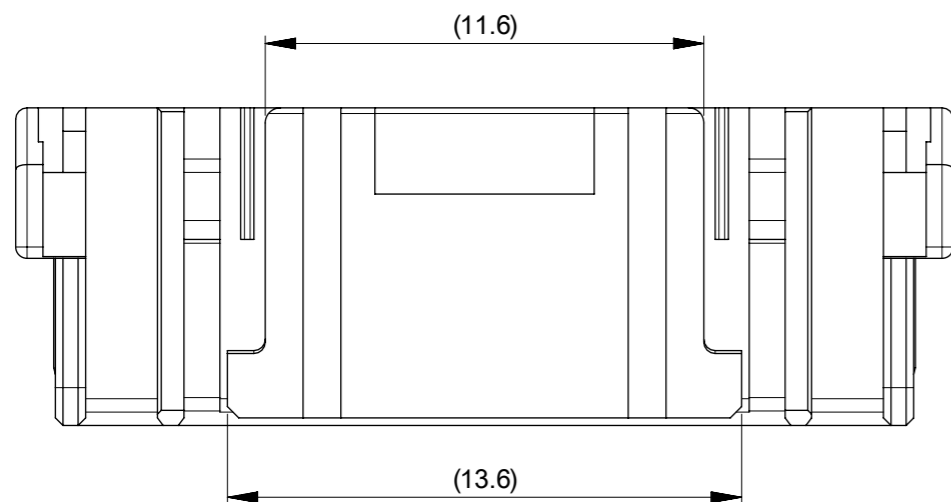
製品形状
PRODUCT SHAPE



2-3極
2-3 CIRCUIT

4-5極
4-5 CIRCUIT

6-10極
6-10 CIRCUIT



11-16極
11-16 CIRCUIT

3 適合製品及び各種仕様書 APPLICABLE PRODUCTS AND VARIOUS SPECIFICATIONS

梱包仕様書 PACKAGING SPECIFICATION	製品番号 PART NUMBER	仕様書番号 SPECIFICATION NUMBER
	505570**0*	5055709200 PS 200

適合端子 APPLICABLE TERMINAL	製品番号 PART NUMBER	めっきタイプ PLATING TYPE	電線サイズ WIRE SIZE(AWG)
	5055721000	TIN	#22-26

適合嵌合相手 MATE WITH	タイプ TYPE	TIN PLATING		WIRE TO WIRE
		WIRE TO BOARD		
	シリーズ番号 SERIES NUMBER	VERTICAL	RIGHT ANGLE	
製品仕様書 PRODUCT SPECIFICATION		505575	505578	213719
コネクタ取扱説明書 APPLICATION SPECIFICATION		5055700001 PS 000		5055700003-PS PS 000
		5055700001 PS A03		

製品嵌合図は各適合嵌合相手図面を参照のこと
MATING VIEW : REFER TO EACH "MATE WITH" PART DRAWING.

5 505570**0* 発注番号一覧 ORDER NUMBER LIST

黒 BLACK	ナチュラル(白) NATURAL (WHITE)	ハウジングカラー HOUSING COLOR
5055701601	5055701600	16
5055701501	5055701500	15
5055701401	5055701400	14
5055701301	5055701300	13
5055701201	5055701200	12
5055701101	5055701100	11
5055701001	5055701000	10
5055700901	5055700900	9
5055700801	5055700800	8
5055700701	5055700700	7
5055700601	5055700600	6
5055700501	5055700500	5
5055700401	5055700400	4
5055700301	5055700300	3
5055700201	5055700200	2
発注番号 ORDER NUMBER		極数 CIRCUIT SIZE
梱包形態 : ポリ袋 PACKAGING : POLYBAG PACKAGE		

THIS DRAWING CONTAINS INFORMATION THAT IS PROPRIETARY TO MOLEX ELECTRONIC TECHNOLOGIES, LLC AND SHOULD NOT BE USED WITHOUT WRITTEN PERMISSION										
DIMENSION UNITS	SCALE	CURRENT REV DESC: REVISED								
mm	NTS									
GENERAL TOLERANCES (UNLESS SPECIFIED)					MICRO-LOCK PLUS 2.0 SINGLE ROW RECEPTACLE HOUSING PRODUCT CUSTOMER DRAWING					
ANGULAR TOL ± 3.0°										
4 PLACES	±	EC NO: 682239	DRWN: SOKUMURA01	2021/02/22	DOCUMENT NUMBER 5055700001 DOC TYPE PSD DOC PART 000 REVISION B					
3 PLACES	±	CHK'D: SAKIYAMA	APPR: AIDA	2022/06/30						
2 PLACES	±	INITIAL REVISION:			MATERIAL NUMBER SEE SHEET 3 CUSTOMER GENERAL SHEET NUMBER 2 OF 2					
1 PLACE	± 0.2	DRWN: TENAGASE	APPR: TKANEKO	2016/03/29						
0 PLACES	± 0.2	DRAFT WHERE APPLICABLE MUST REMAIN WITHIN DIMENSIONS			THIRD ANGLE PROJECTION	DRAWING	SERIES			
					A3-SIZE	505570				