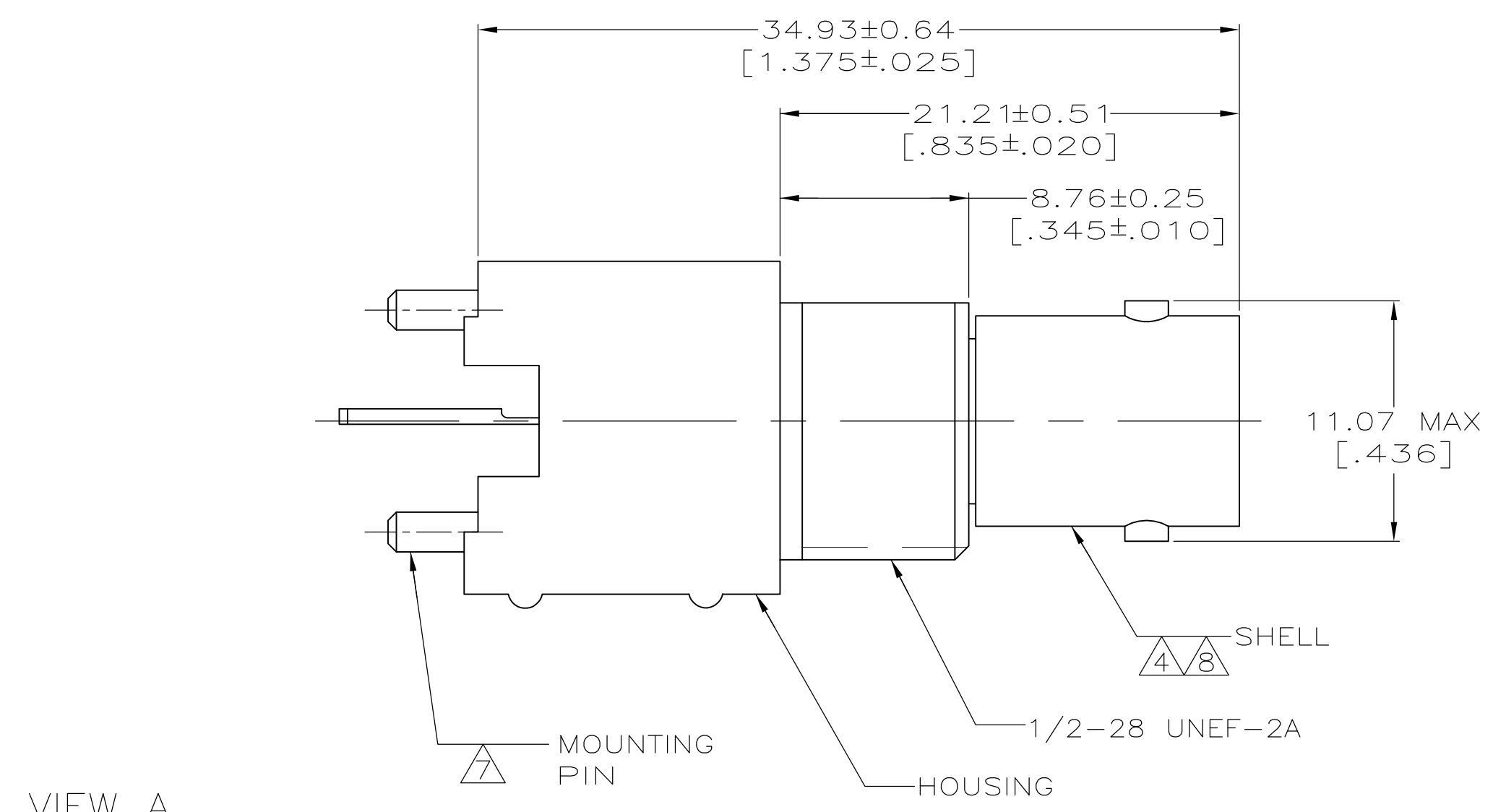
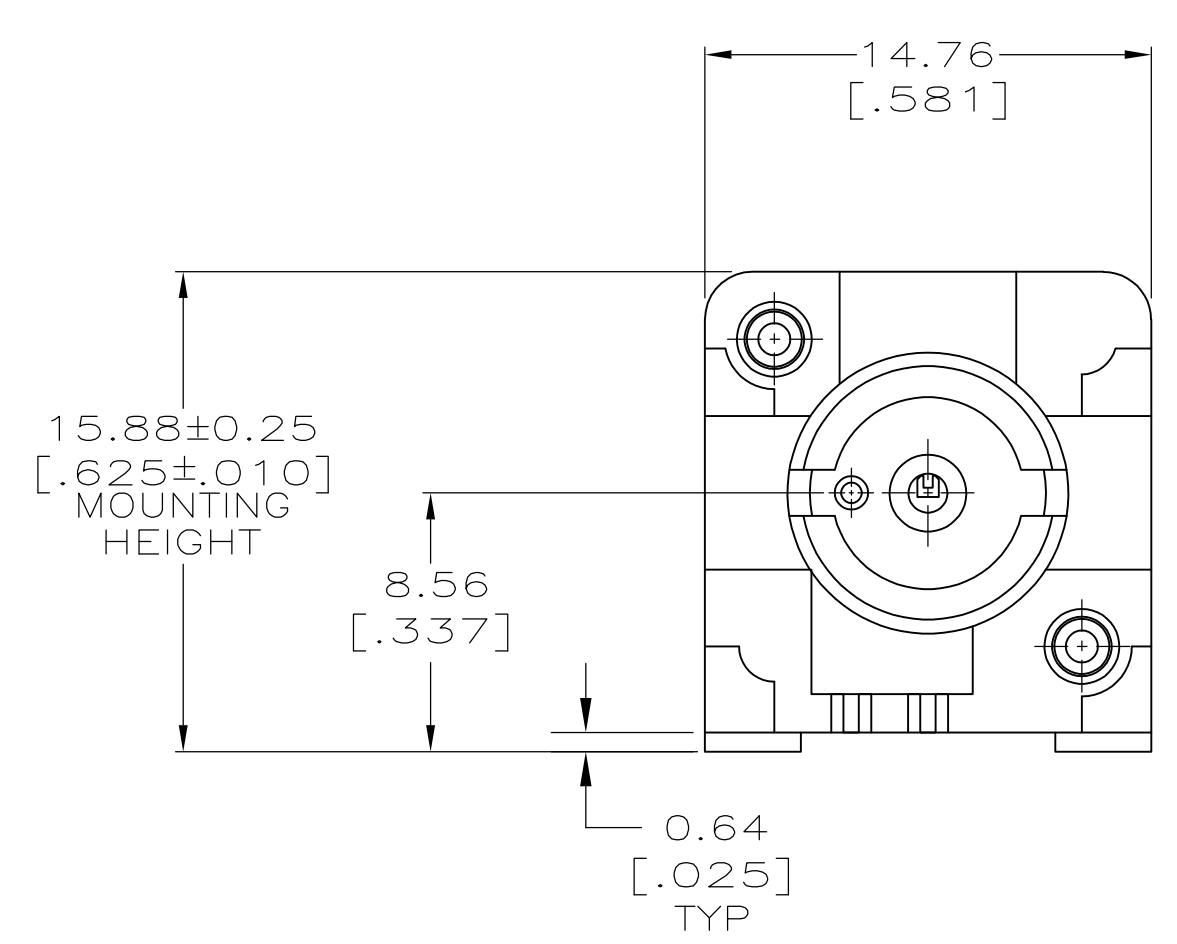
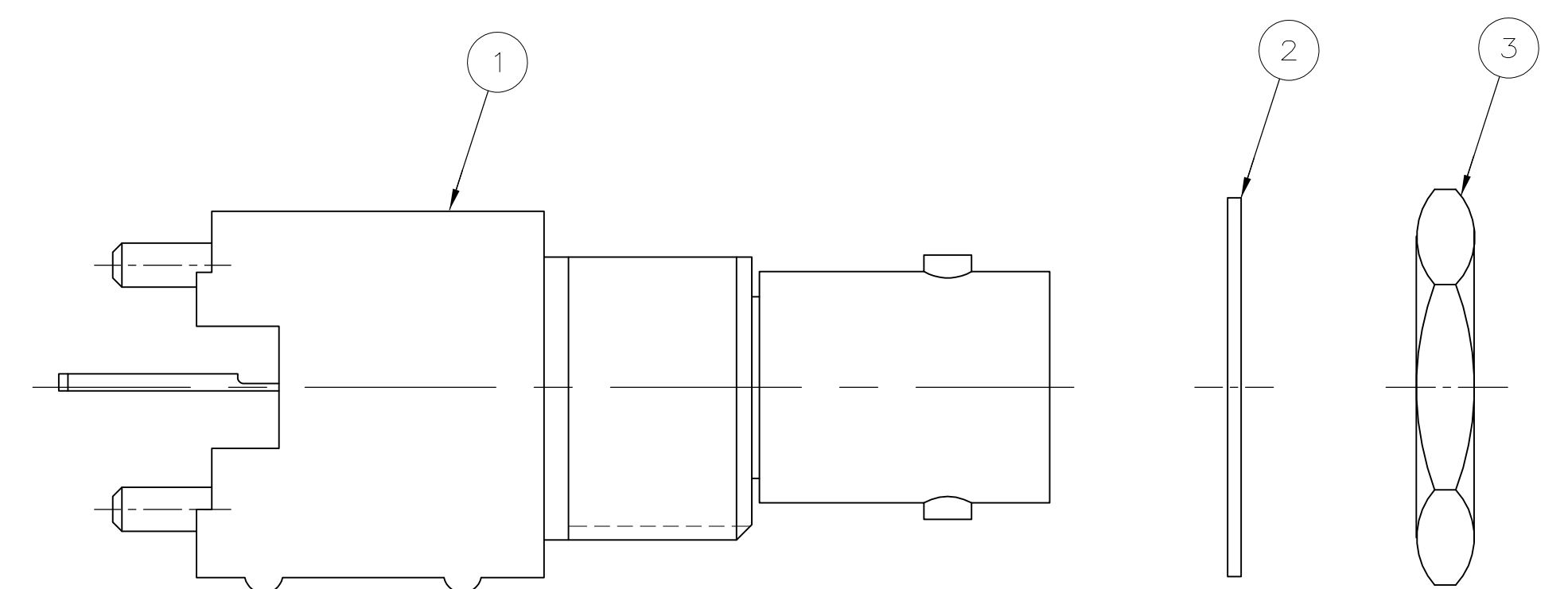


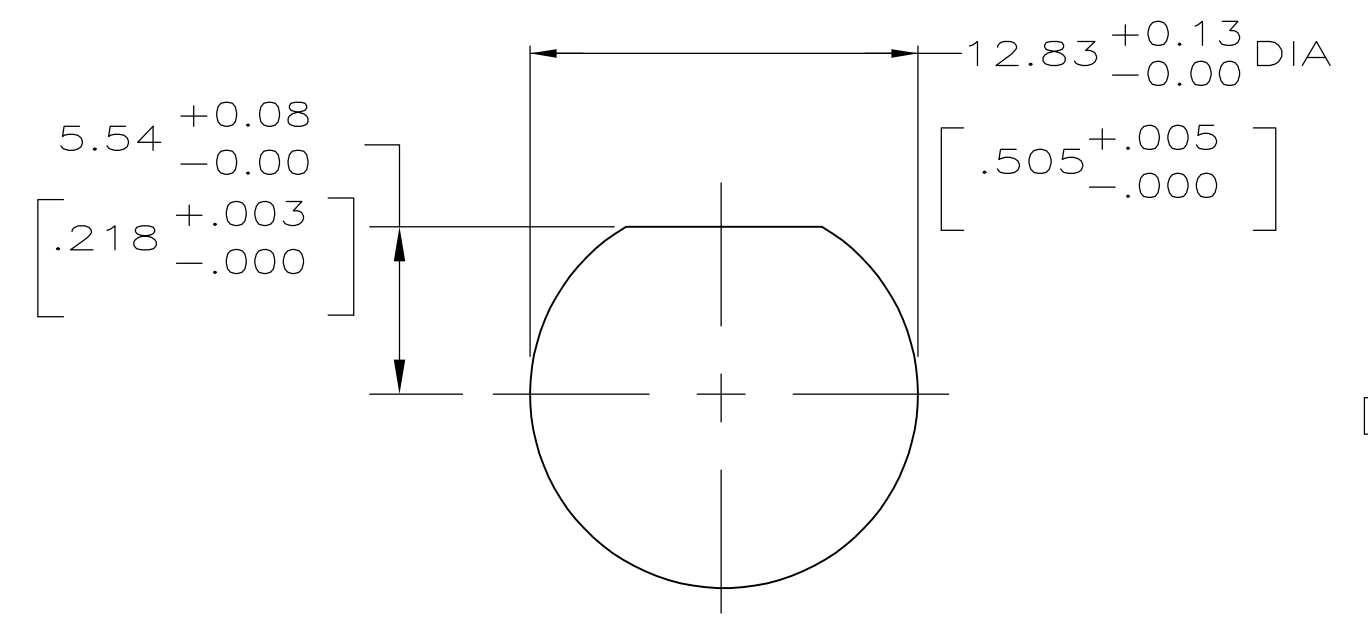
- 1 POLYESTER PBT PER MIL-M-24519, TYPE GPT-15F, UL94V-O RATED, COLOR: NATURAL
- 2 POLYESTER PBT PER MIL-M-24519, TYPE GPT-15F, UL94V-O RATED, COLOR: BLACK
- 3 POLYMETHYLPENTENE, GENERAL PURPOSE.
- 4 ZINC PER QQ-Z-363.
- 5 PHOSPHOR BRONZE PER QQ-B-750.
- 6 BRASS PER ASTM-B-453.
- 7 BRASS PER ASTM-B-16.
- 8 NICKEL PLATE PER QQ-N-290, 3.81 μm [.000150] MINIMUM THICK.
- 9 TIN PLATE PER ASTM-B-545, 3.81 μm [.000150] MINIMUM THICK.
- 10 GOLD PLATE PER MIL-C-45204, 0.76 μm [.000030] MINIMUM THICK.
- 11. SEE INSTRUCTION SHEET 408-2769.



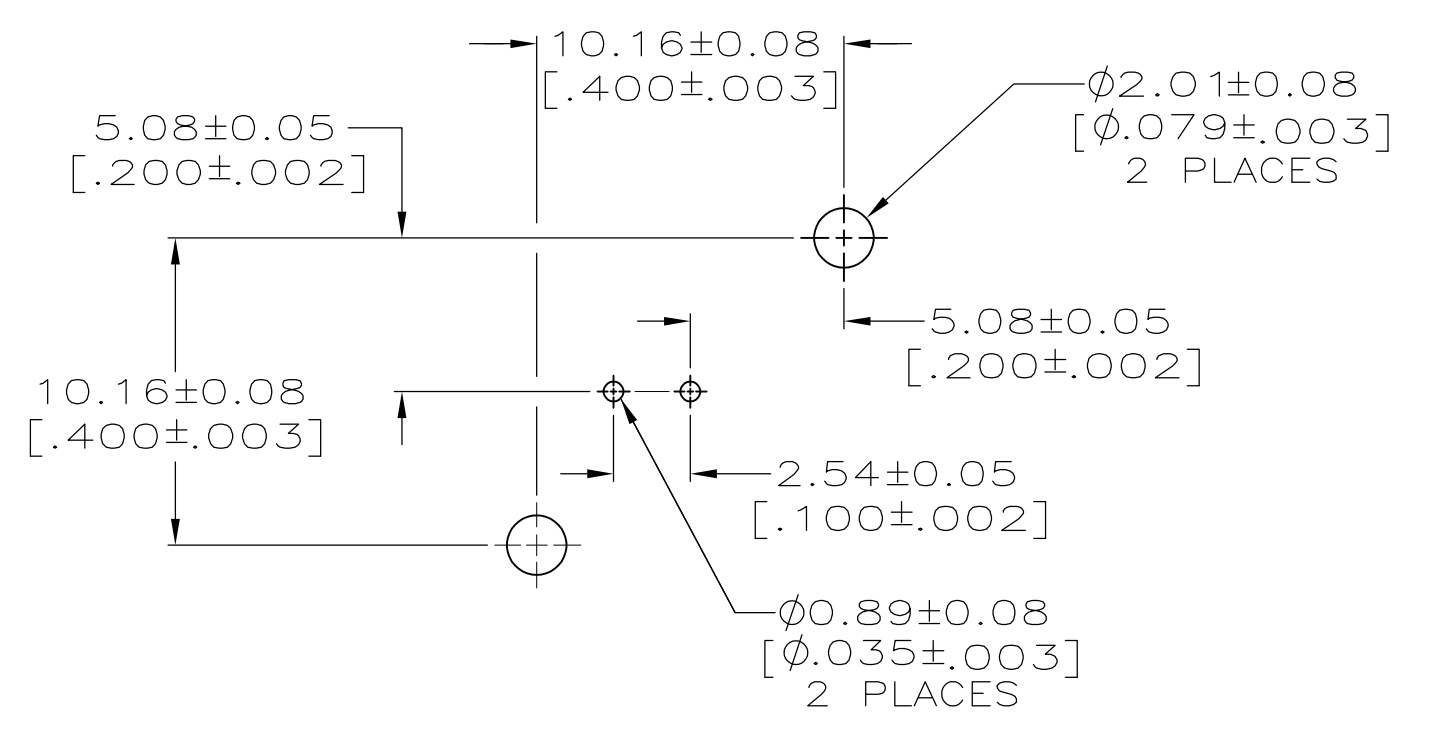
VIEW A



VIEW B



RECOMMENDED PANEL CUTOUT



PCB CONFIGURATION

| | | | | | | | | | | |
|-------------|----------------------|---------------------|----------------------|-----------------|------------------|------|-----------------|--------------------|------------------|-------------|
| - | △ | △ | △ | - | - | B | 1-329631-2 | 1-329632-2 | 5227222-6 | 5227222-9 |
| 3.48 [.137] | △ | △ | △ | △ | △ | A | - | - | - | 5227222-6 |
| 3.48 [.137] | △ | △ | △ | △ | △ | A | - | - | - | 5227222-3 |
| 3.48 [.137] | △ | △ | △ | △ | △ | A | - | - | - | 5227222-2 |
| 3.48 [.137] | △ | △ | △ | △ | △ | A | - | - | - | 5227222-1 |
| C | MOUNTING PIN PLATING | GROUND POST PLATING | CONTACT POST PLATING | CONTACT PLATING | HOUSING MATERIAL | VIEW | 3 JAM NUT QTY=1 | 2 LOCKWASHER QTY=1 | 1 ASSEMBLY QTY=1 | PART NUMBER |

THIS DRAWING IS A CONTROLLED DOCUMENT.

| | | | | |
|-------------------------|--|----------------------------|-------------------|-------------------------|
| DIMENSIONS: mm (INCHES) | TOLERANCES UNLESS OTHERWISE SPECIFIED: | DIN J. ALCORTA - 26APR2005 | DOCK5 - 26APR2005 | TE Connectivity |
| 0 PLC ± - | 1 PLC ± - | J. HAVENER | DOCK5 - 26APR2005 | |
| 1 PLC ± - | 2 PLC ± 0.20 [.008] | J. LIPPERT | 26APR2005 | NAME |
| 2 PLC ± - | 3 PLC ± - | | | JACK, VERTICAL, |
| 3 PLC ± - | 4 PLC ± - | | | 50 OHM, PCB, SERIES BNC |
| 4 PLC ± - | ANGLES ± - | | | PRODUCT SPEC |
| MATERIAL | FINISH | | | 108-12078 |
| | | | | APPLICATION SPEC |
| | | | | SIZE |
| | | | | CAGE CODE |
| | | | | DRAWING NO |
| | | | | RESTRICTED TO |
| | | | | WEIGHT |
| | | | | A1 00779 |
| | | | | 5227222 |
| | | | | CUSTOMER DRAWING |
| | | | | SCALE 4:1 |
| | | | | SHEET 1 of 1 |
| | | | | REV B1 |