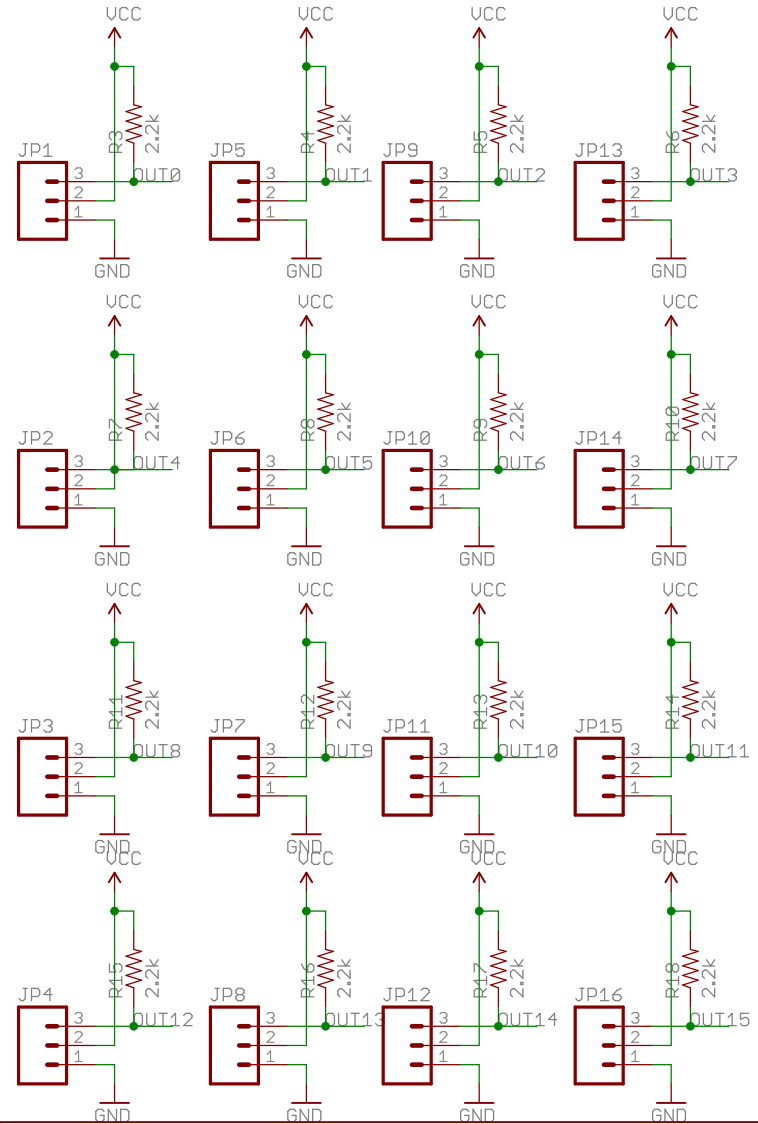


$$I_{max} = 31.5 * \frac{1.24V}{R1 \parallel R2}$$

@R1=2.2k, I_{max}=17.8mA
 For Max I_{max}=120mA, R2=390
 For Min I_{max}=5mA, R1=7.8k



TITLE: TLC5940-Breakout-v12

SFE

SFE

SFE

Document Number:

REV:

Date: 11/17/2011 9:49:36 AM

Sheet: 1/1