

Amphenol Taiwan Corporation
Product Change Notification

Part Numbers Concerned :	GTFH081X1YHR	Originator:	Karen Su
Product Description:	MICRO-SD SOCKET HINGE TYPE RIGHT ANGLE SMT, H=1.80mm	Issue Date:	2020/05/07
		PCN NO:	PCN_GTFH081X1YHR
Distribution:			

Product change notice

1. UPDATE NOTES NO.3: OPERATING TEMPERATURE : -25°C ~ +85°C.
2. CANCEL GTFH081"2"1YHR

Old version part:

Rev. B

New version part:

Rev.CX1 (After release to Rev.C)

Background:

Customer request.

Product Part Number Affected:

GTFH08101YHR 、 GTFH08131YHR 、 GTFH08141YHR

Implementation date:

Immediately effective.

Recommended Action:

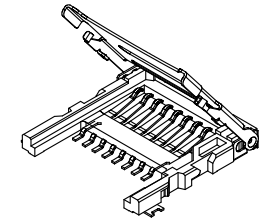
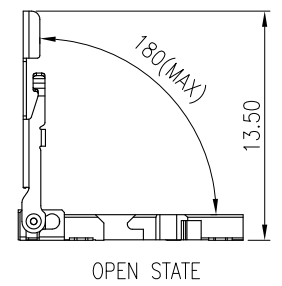
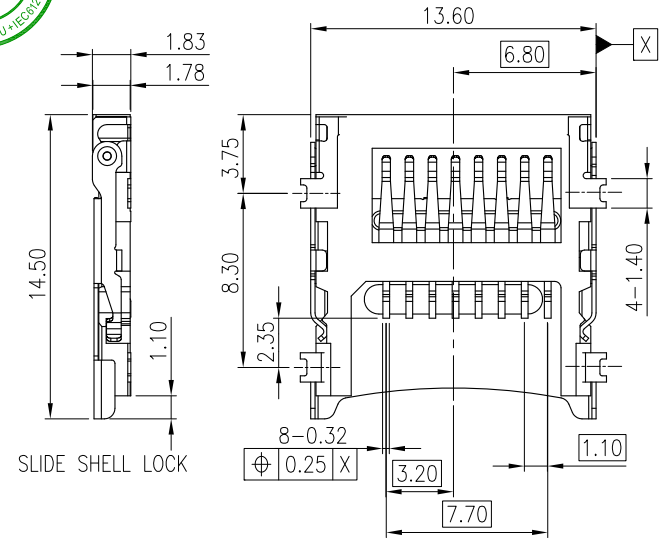
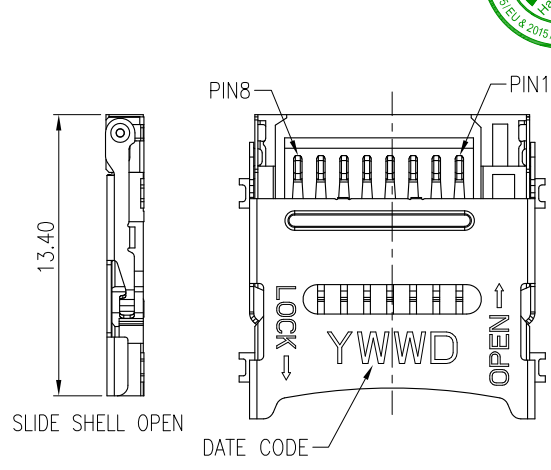
Sales team informs customers above changes of part.

This document is the property of Amphenol Corporation and is delivered on the express condition that it is not to be disclosed, reproduced or used, in whole or in part, for manufacture or sale by anyone other than Amphenol Corporation without its prior consent, and that no right is granted to disclose or to use any information in this document.
The marking on this product doesn't contain environmental hazardous materials per directive 2011/65/EU for RoHS compliant.

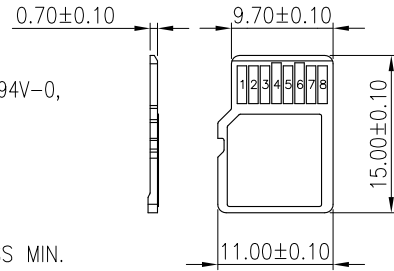
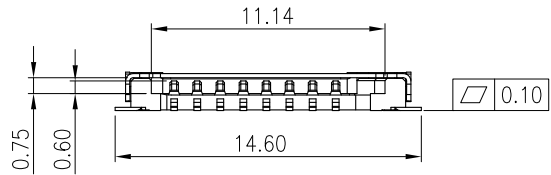


ORIGINAL

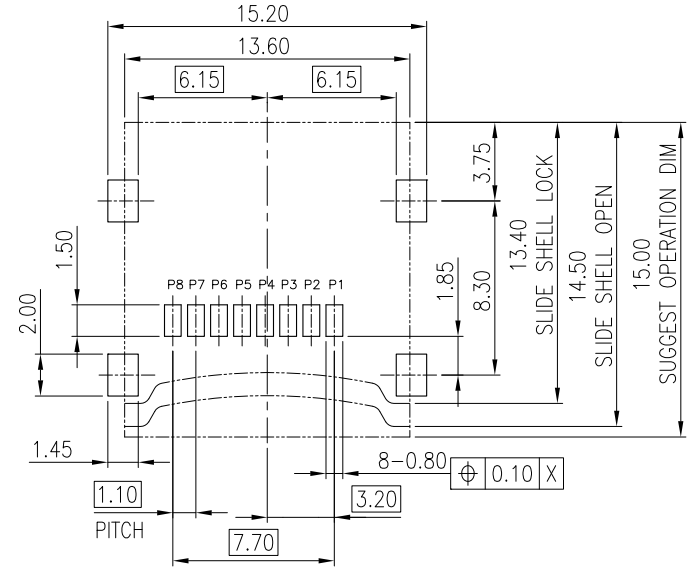
REVISIONS				
SYM	ECN No.	DESCRIPTION	DATE	APPROVED
A	NE-18105	RELEASE REVISION	06/06/2018	Roger Tsai
B	NE-20138	CHANGE DATE CODE (POSITION B2)	09/23/2020	Roger Tsai



PART NO. GTFH081 X 1YHR
CONTACT FINISH
0: GLOD FLASH
2: 10u" GOLD
3: 15u" GOLD
4: 30u" GOLD



PIN NUMBER	PIN ASSIGNMENT
1	DAT2
2	CD/DAT3
3	CMD
4	VDD
5	CLK
6	VSS
7	DAT0
8	DAT1



RECOMMENDED PCB LAYOUT
TOLERANCES: ±0.05mm

NOTES:

- MATERIAL:
HOUSING: HIGH TEMPERATURE THERMAL PLASTIC LCP, UL94V-0,
COLOR: BLACK.
TERMINAL: COPPER ALLOY.
SHELL: STAINLESS STEEL.
- FINISH:
TERMINAL:
CONTACT AREA: SELECTIVE GOLD PLATING THICKNESS MIN.
SOLDERING AREA: GOLD FLASH PLATING THICKNESS MIN.
UNDER PLATING: NICKEL PLATING 50u" THICKNESS MIN. OVERALL.
- OPERATING TEMPERATURE : -25°C ~ +70°C.
- SHIELD:
NICKEL PLATING 50u" THICKNESS MIN. OVERALL.
- HOLD DOWN:
SOLDERING AREA: GOLD FLASH PLATING THICKNESS MIN.
UNDER PLATING: NICKEL PLATING 50u" THICKNESS MIN. OVERALL.

- THIS PRODUCT DOESN'T CONTAIN ENVIRONMENTAL HAZARDOUS PER DIRECTIVE 2011/65/EU FOR RoHS COMPLIANT. AND PER IEC 61249-2-21 FOR HALOGEN-FREE COMPLIANT.
- PRODUCT SPECIFICATION REFER TO : PS-7628.
- TEST SUMMARY REFER TO : TS-7628-001.

TOLERANCE	APPROVALS	DATE	TITLE
X.	DRAWN Karen Su	09/23/2020	MICRO-SD SOCKET HINGE TYPE RIGHT ANGLE SMT, H=1.80mm
X.X ±0.30	CHECKED Aqua Chou	09/23/2020	
X.XX ±0.20	APPROVED Roger Tsai	09/23/2020	
X.XXX ±0.10	DWG TYPE CUST DWG	PROJECT CODE OTHER	
ANGULAR ±1°			
UNLESS OTHERWISE SPECIFIED			

UNIT	SCALE	SIZE	SHEET
mm	NA	A3	1 OF 2

Amphenol[®]
Amphenol Corporation
Amphenol Taiwan Corporation

PART No. GTFH081X1YHR
DWG No. GTFH081X1YHR
REV B

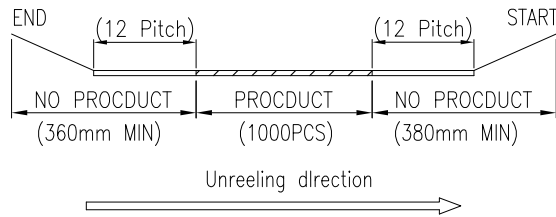
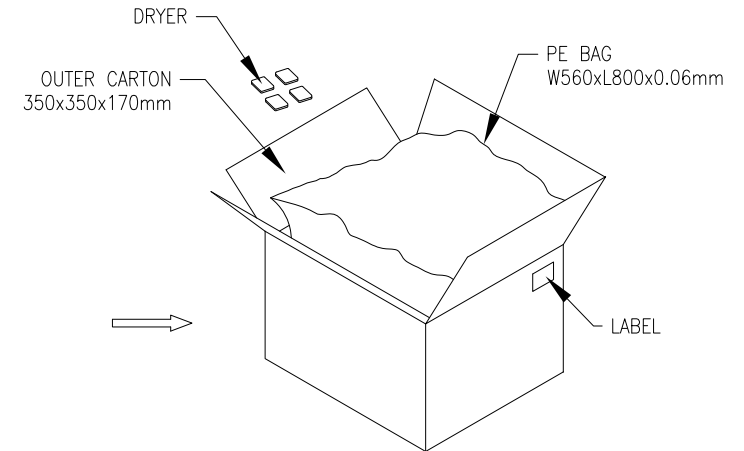
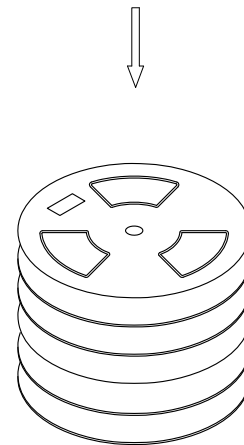
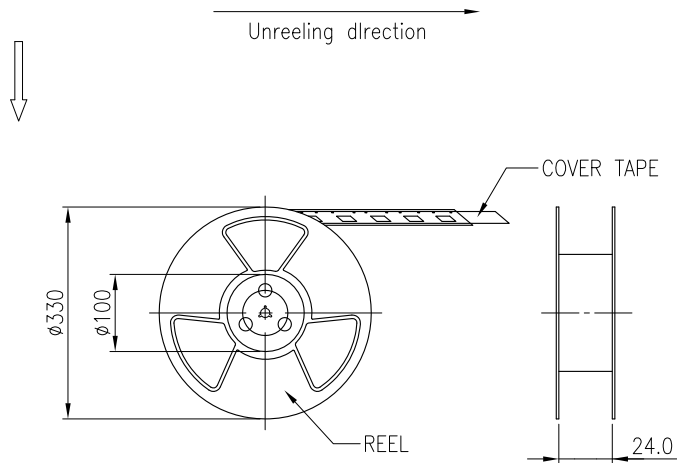
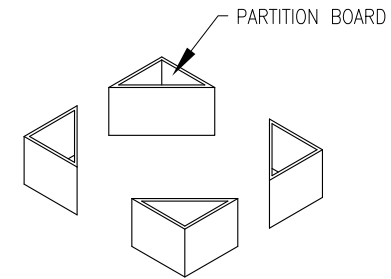
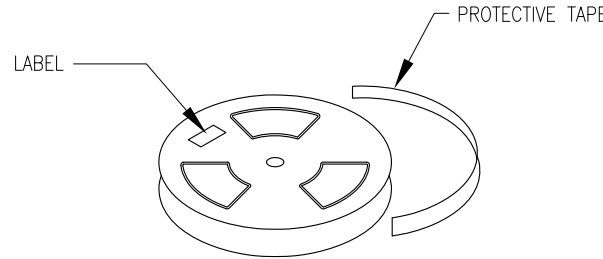
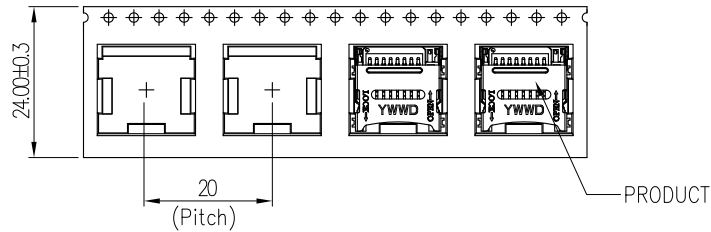
This document is the property of Amphenol Corporation and is delivered on the express condition that is not to be disclosed, reproduced or used, in whole or in part, for manufacture or sale by anyone other than Amphenol Corporation without its prior consent, and that no right is granted to disclose or to use any information in this document.
The marking on this product doesn't contain environmental hazardous materials per directive 2011/65/EU for RoHS compliant.



ORIGINAL



REVISIONS				
SYM	ECN No.	DESCRIPTION	DATE	APPROVED
A	NE-18105	RELEASE REVISION	06/06/2018	Roger Tsai
B	NE-20138	CHANGE DATE CODE (POSITION B2)	09/23/2020	Roger Tsai



PACKAGING BY REEL	4.90 G/W KG	1.97 N/W KG	1,000 PCS/ REEL	5 REELS/ BOX	5,000 QUANTITY (PCS)	GTFH081X1YHR PART NUMBER
-------------------	-------------	-------------	-----------------	--------------	----------------------	--------------------------

TOLERANCE	APPROVALS	DATE	TITLE		Amphenol® Amphenol Corporation Amphenol Taiwan Corporation	
X. ±0.30	DRAWN Karen Su	09/23/2020	MICRO-SD SOCKET HINGE TYPE RIGHT ANGLE SMT, H=1.80mm		PART No. GTFH081X1YHR	
X.X ±0.20	CHECKED Aqua Chou	09/23/2020				
X.XX ±0.10	APPROVED Roger Tsai	09/23/2020	UNIT mm SCALE NA		SIZE A3 SHEET 2 OF 2	
ANGULAR ±1°	DWG TYPE CUST DWG	PROJECT CODE OTHER				
UNLESS OTHERWISE SPECIFIED						

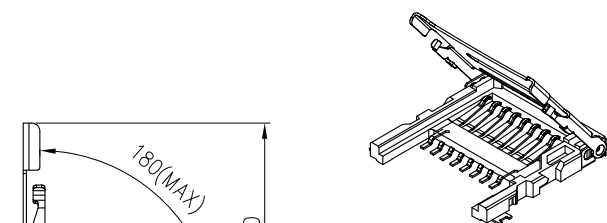
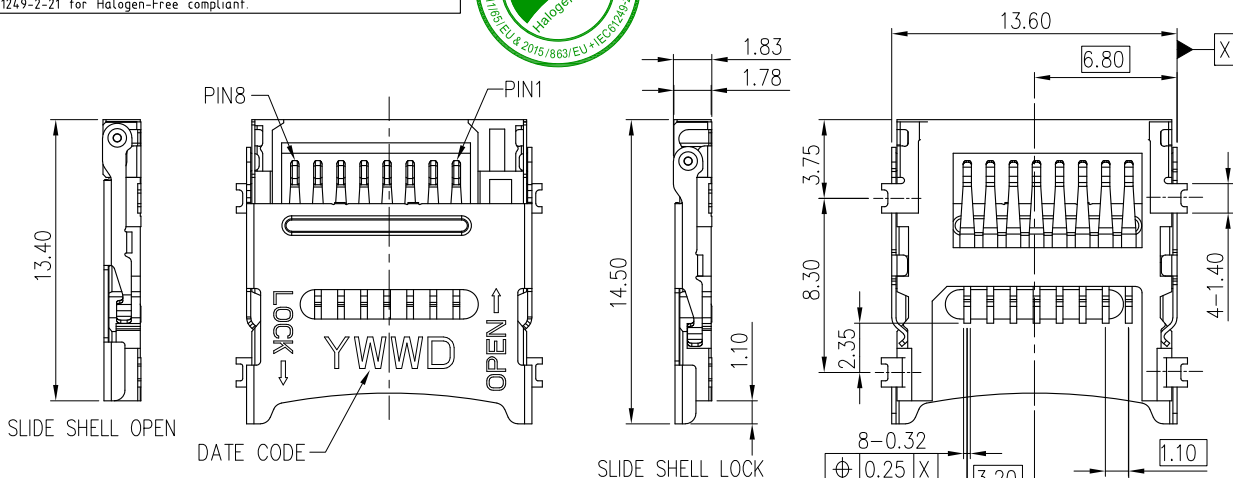
This document is the property of Amphenol Corporation and is delivered on the express condition that it is not to be disclosed, reproduced or used, in whole or in part, for manufacture or sale by anyone other than Amphenol Corporation without its prior consent, and that no right is granted to disclose or to use any information in this document.

The marking on this product doesn't contain environmental hazardous materials per directive 2011/65/EU & 2015/863/EU for RoHS compliant and per IEC 61249-2-21 for Halogen-Free compliant.

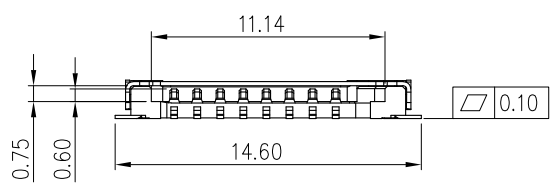


FOR REFERENCE ONLY

REVISIONS				
SYM	ECN No.	DESCRIPTION	DATE	BY
A	NE-18105	RELEASE REVISION	2018-06-06	Karen Su
B	NE-20138	CHANGE DATE CODE (POSITION B2)	2020-09-23	Karen Su
CX1	EDSR#12142	UPDATE NOTES NO.3/CANCEL GTFH081*2*1YHR	2022-05-05	Karen Su



PART NO. GTFH081 X 1YHR
 CONTACT FINISH
 0: GLOD FLASH
 3: 15u" GOLD
 4: 30u" GOLD

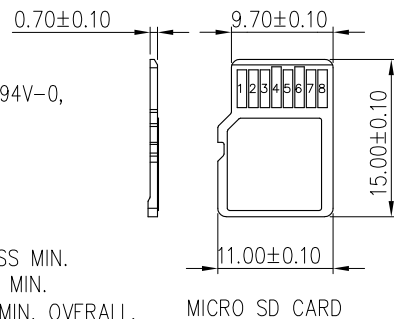


NOTES:

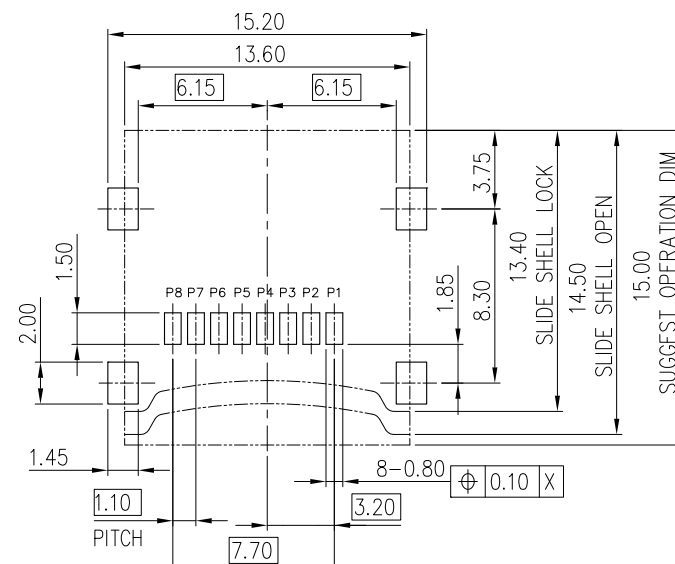
- MATERIAL:
 HOUSING: HIGH TEMPERATURE THERMAL PLASTIC LCP, UL94V-0,
 COLOR: BLACK.
 TERMINAL: COPPER ALLOY.
 SHELL: STAINLESS STEEL.
- FINISH:
 TERMINAL:
 CONTACT AREA: SELECTIVE GOLD PLATING THICKNESS MIN.
 SOLDERING AREA: GOLD FLASH PLATING THICKNESS MIN.
 UNDER PLATING: NICKEL PLATING 50u" THICKNESS MIN. OVERALL.
- SHELL:
 NICKEL PLATING 50u" THICKNESS MIN. OVERALL.
- HOLD DOWN:
 SOLDERING AREA: GOLD FLASH PLATING THICKNESS MIN.
 UNDER PLATING: NICKEL PLATING 50u" THICKNESS MIN. OVERALL.

3. OPERATING TEMPERATURE : -25°C ~ +85°C.

- THIS PRODUCT DOESN'T CONTAIN ENVIRONMENTAL HAZARDOUS PER DIRECTIVE 2011/65/EU & 2015/863/EU FOR RoHS COMPLIANT. AND PER IEC 61249-2-21 FOR HALOGEN-FREE COMPLIANT.
- PRODUCT SPECIFICATION REFER TO : PS-7628.
- TEST SUMMARY REFER TO : TS-7628-001.



PIN NUMBER	PIN ASSIGNMENT
1	DAT2
2	CD/DAT3
3	CMD
4	VDD
5	CLK
6	VSS
7	DAT0
8	DAT1



RECOMMENDED PCB LAYOUT
 TOLERANCES: ±0.05mm

TOLERANCE	APPROVALS	DATE	TITLE	UNIT	SIZE	PART No.
X. ±0.30	DRAWN Karen Su	2022-05-05	MICRO-SD SOCKET HINGE TYPE RIGHT ANGLE SMT, H=1.80mm	mm	A3	GTFH081X1YHR
X.X ±0.20	CHECKED Joseph Jiang	2022-05-05				
X.XX ±0.10	APPROVED Roger Tsai	2022-05-05		NA	SHEET 1 OF 2	GTFH081X1YHR
ANGULAR ±1'	DWG TYPE CUST DWG	PROJECT CODE OTHER				
UNLESS OTHERWISE SPECIFIED						DWG No. GTFH081X1YHR
						REV CX1

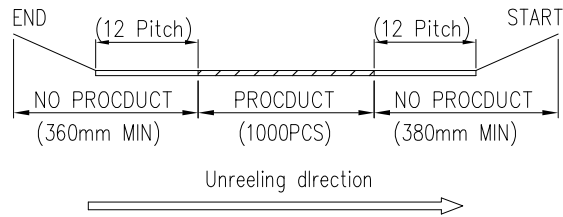
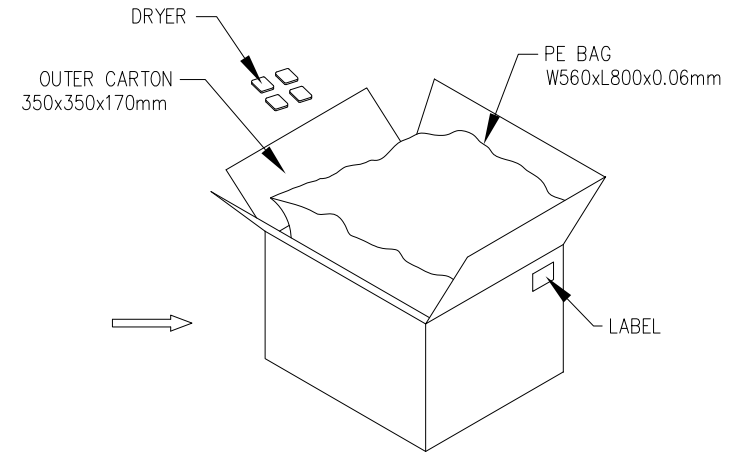
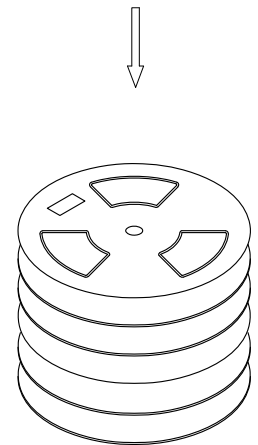
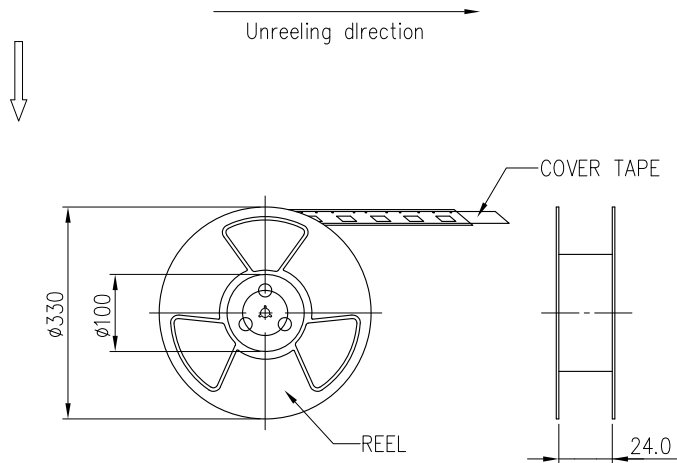
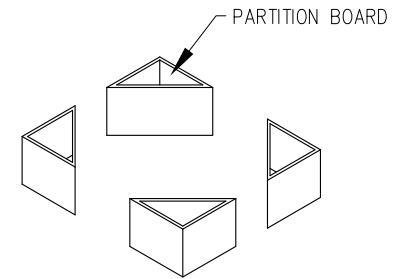
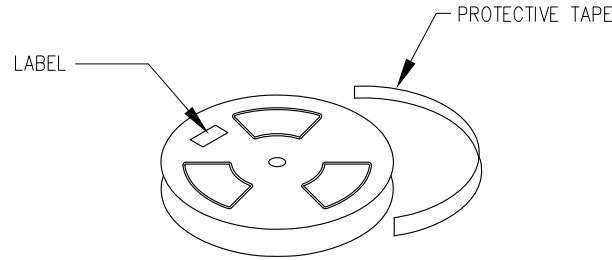
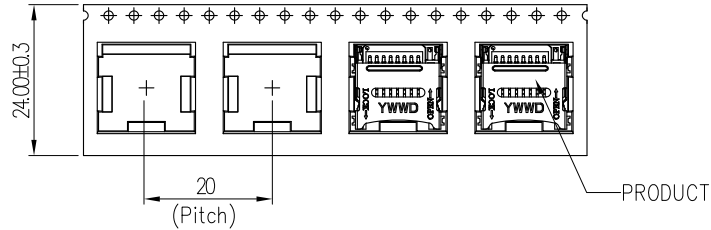
Amphenol[®]
 Amphenol Corporation
 Amphenol Taiwan Corporation

This document is the property of Amphenol Corporation and is delivered on the express condition that is not to be disclosed, reproduced or used, in whole or in part, for manufacture or sale by anyone other than Amphenol Corporation without its prior consent, and that no right is granted to disclose or to use any information in this document.
 The marking on this product doesn't contain environmental hazardous materials per directive 2011/65/EU & 2015/863/EU for RoHS compliant and per IEC 61249-2-21 for Halogen-Free compliant.



FOR REFERENCE ONLY

REVISIONS				
SYM	ECN No.	DESCRIPTION	DATE	BY
A	NE-18105	RELEASE REVISION	2018-06-06	Karen Su
B	NE-20138	CHANGE DATE CODE (POSITION B2)	2020-09-23	Karen Su
CX1	EDSR#12142	UPDATE NOTES NO.3/CANCEL GTFH081*2*1YHR	2022-05-05	Karen Su



PACKAGING BY REEL	4.90 G/W KG	1.97 N/W KG	1,000 PCS/ REEL	5 REELS/ BOX	5,000 QUANTITY (PCS)	GTFH081X1YHR PART NUMBER
-------------------	-------------------	-------------------	-----------------------	--------------------	----------------------------	-----------------------------

TOLERANCE		APPROVALS		DATE	TITLE		Amphenol®	
X.		DRAWN	Karen Su	2022-05-05	MICRO-SD SOCKET HINGE TYPE RIGHT ANGLE SMT, H=1.80mm		Amphenol Corporation Amphenol Taiwan Corporation	
X.X	±0.30	CHECKED	Joseph Jiang	2022-05-05				
X.XX	±0.20	APPROVED	Roger Tsai	2022-05-05	UNIT mm SIZE A3 SCALE NA SHEET 2 OF 2		PART No. GTFH081X1YHR	
X.XXX	±0.10	DWG TYPE	CUST DWG	PROJECT CODE			OTHER	DWG No. GTFH081X1YHR
ANGULAR ±1°		UNLESS OTHERWISE SPECIFIED						