

REV.	DATE	DESCRIPTION
01	Sep. 13, '18	1st RELEASE

NOTES:

1. MATERIAL:

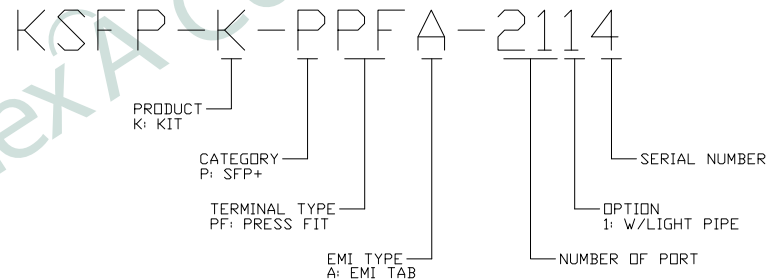
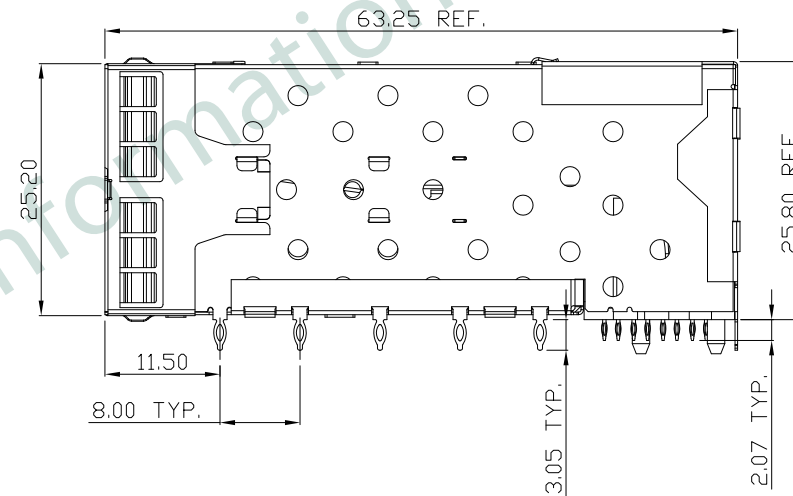
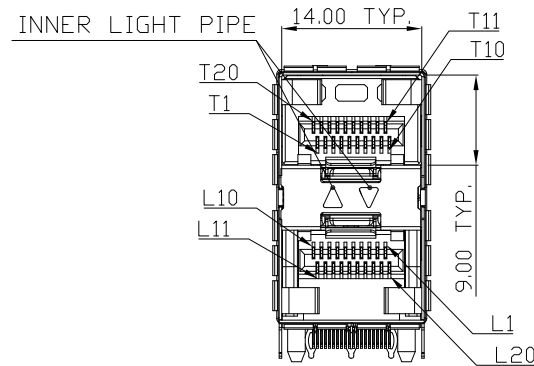
CAGE: T=0.25mm COPPER ALLOY
CONNECTOR HOUSING: GLASS FILLED THERMOPLASTIC,
UL 94V-0, COLOR-BLACK

TERMINALS: PHOSPHOR BRONZE
LIGHT PIPE: POLYCARBONATE, CLEAR
LIGHT PIPE HOUSING: PA46, COLOR-BLACK

2. FINISH:

TERMINALS CONTACT AREA: GOLD PLATING
SOLDER TERMINAL AREA: TIN PLATING

3. UNSPECIFIED TOLERANCE: .XXX ±0.10
.XX ±0.25



PART NO		KSFP-K-PPFA-2114		
TITLE	SFP+ 2X1 CAGE + CONNECTOR, EMI TAB, W/INNER LIGHT PIPE, PRESS FIT TYPE			
REV : 01				
UNIT	DRAWN	CHKD	DATE	SHEET
mm[inch]	CINDY	VINCENT	Sep. 13, '18	1 of 4

DWG NO KSFP-K-PPFA-2114

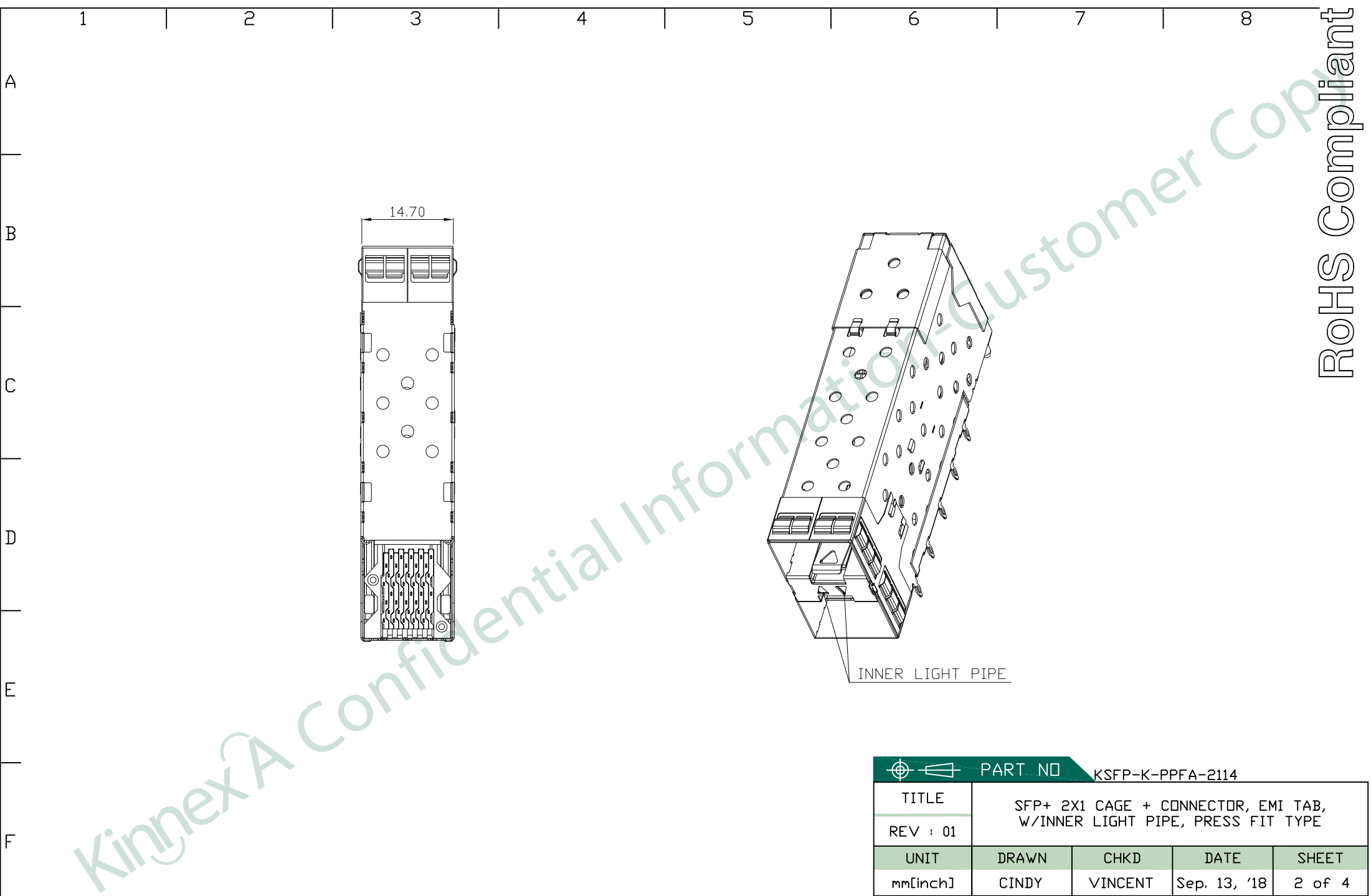
KinnexA, INC. 8F, No. 172, CHENG TEH ROAD SEC. 4, TAIPEI 11167, TAIWAN

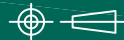
Connected by **KinnexA**

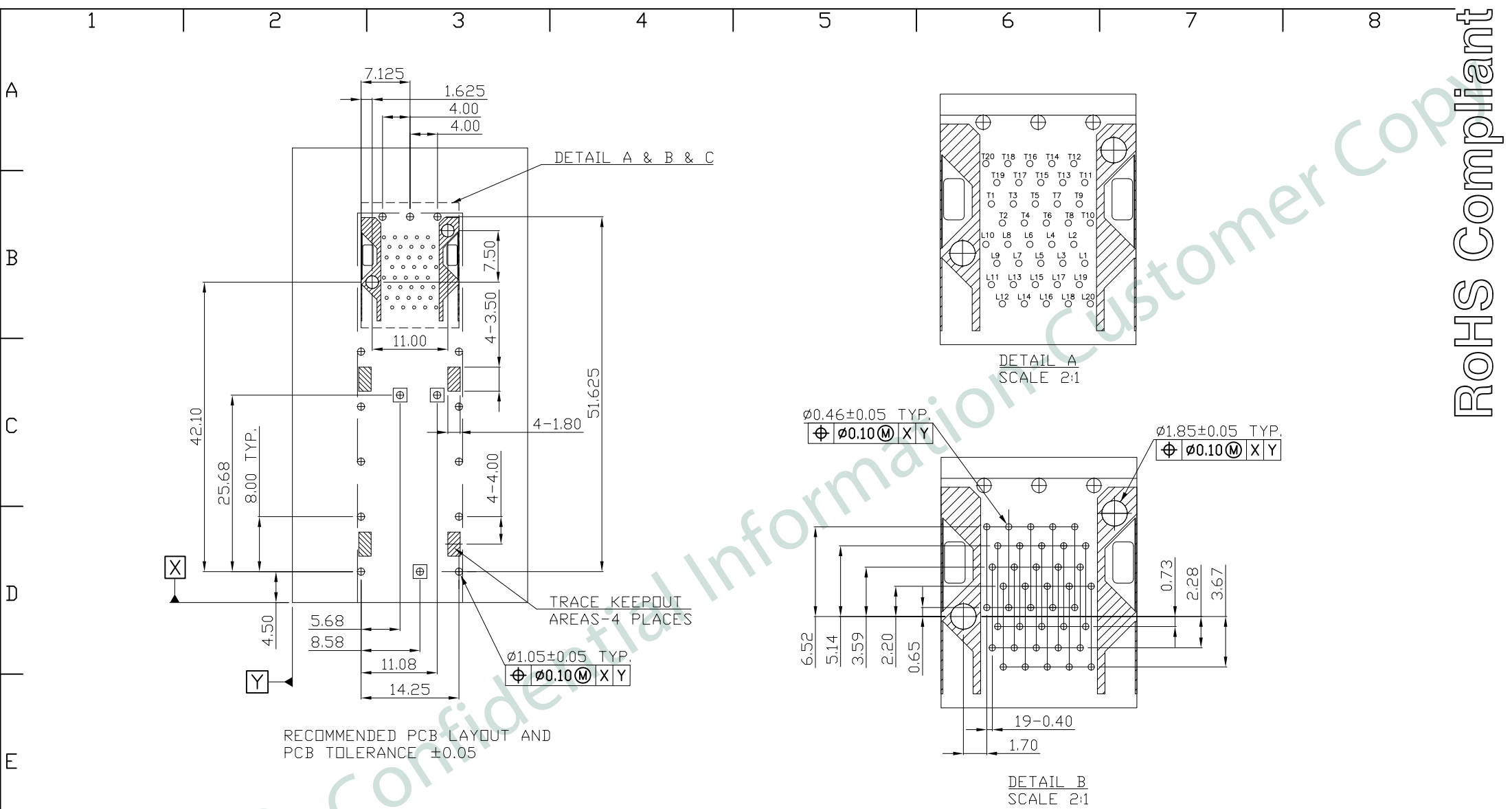
PRELIMINARY RELEASE SUBJECT TO CHANGE

※ THIS DRAWING IS A CONTROLLED DOCUMENT ※

ROHS Compliant



 PART NO KSFP-K-PPFA-2114				
TITLE	SFP+ 2X1 CAGE + CONNECTOR, EMI TAB, W/INNER LIGHT PIPE, PRESS FIT TYPE			
REV : 01				
UNIT	DRAWN	CHKD	DATE	SHEET
mm[inch]	CINDY	VINCENT	Sep. 13, '18	2 of 4



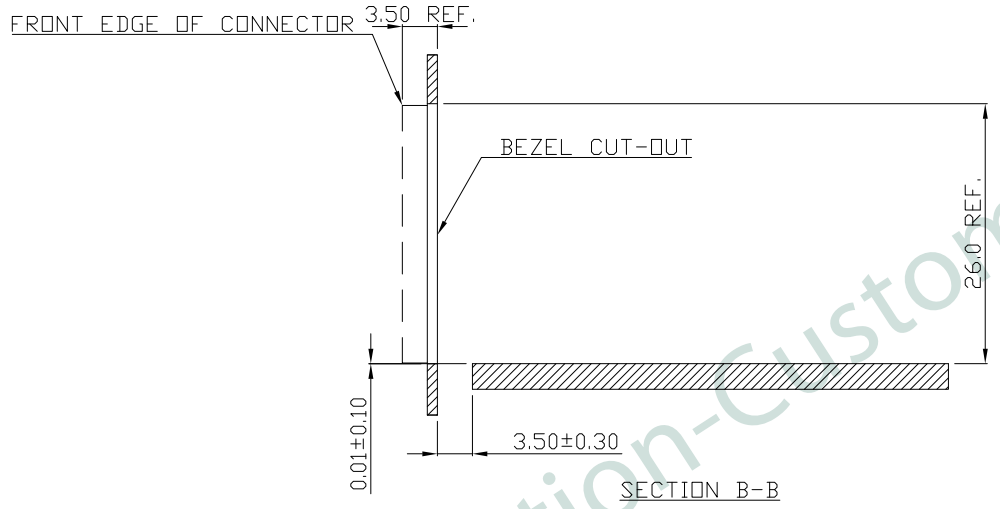
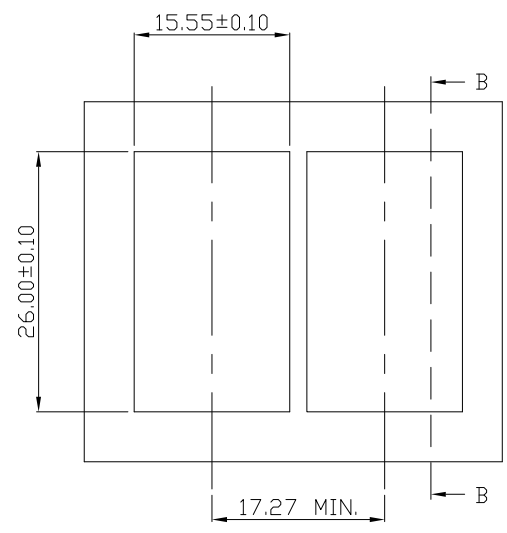
RECOMMENDED PCB LAYOUT AND
PCB TOLERANCE ± 0.05

NOTES:
1. RECOMMENDED PCB THICKNESS: 2.36mm
(MINIMUM PCB THICKNESS: 1.57mm)

PART NO		KSFP-K-PPFA-2114		
TITLE	SFP+ 2X1 CAGE + CONNECTOR, EMI TAB, W/INNER LIGHT PIPE, PRESS FIT TYPE			
REV : 01				
UNIT	DRAWN	CHKD	DATE	SHEET
mm[inch]	CINDY	VINCENT	Sep. 13, '18	3 of 4

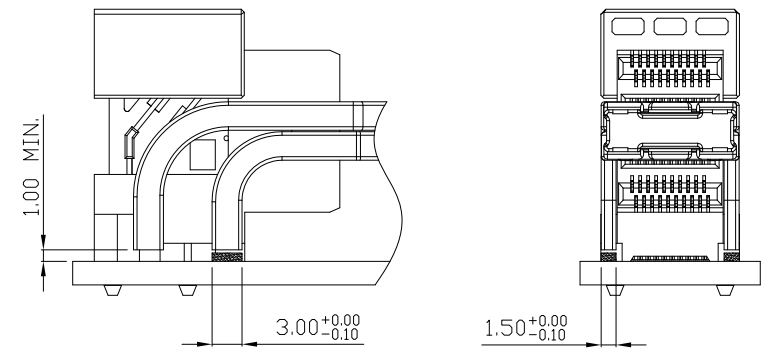
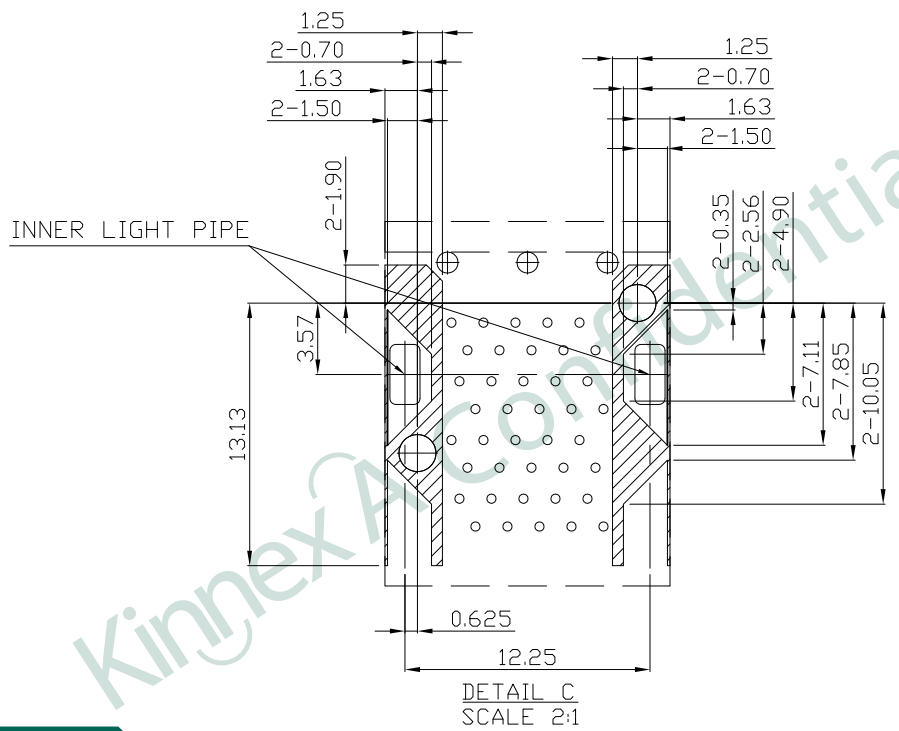
1 2 3 4 5 6 7 8

A
B
C
D
E
F



RECOMMENDED PANEL CUTOUT AND PC BOARD
PANEL POSITION AND THICKNESS 0.8-2.6mm

BEZEL OPENING ABOVE
TOP OF PCB BOARD



LED CLEARANCE REQUIREMENTS

PART NO. KSFP-K-PPFA-2114				
TITLE	SFP+ 2X1 CAGE + CONNECTOR, EMI TAB, W/INNER LIGHT PIPE, PRESS FIT TYPE			
REV : 01				
UNIT	DRAWN	CHKD	DATE	SHEET
mm[inch]	CINDY	VINCENT	Sep. 13, '18	4 of 4