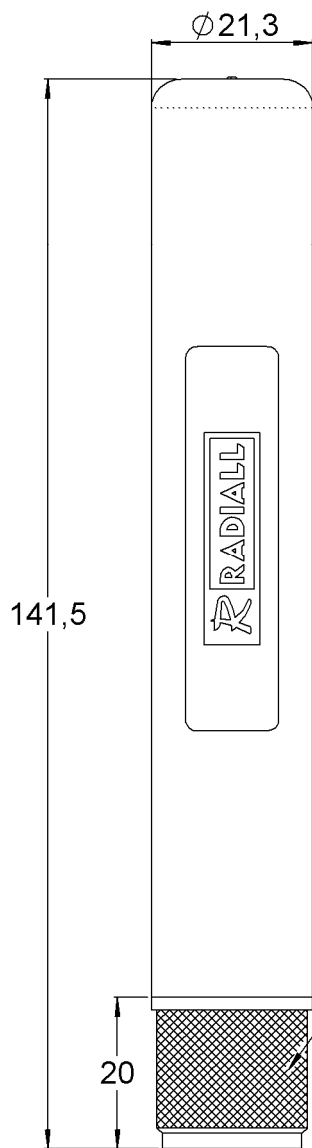
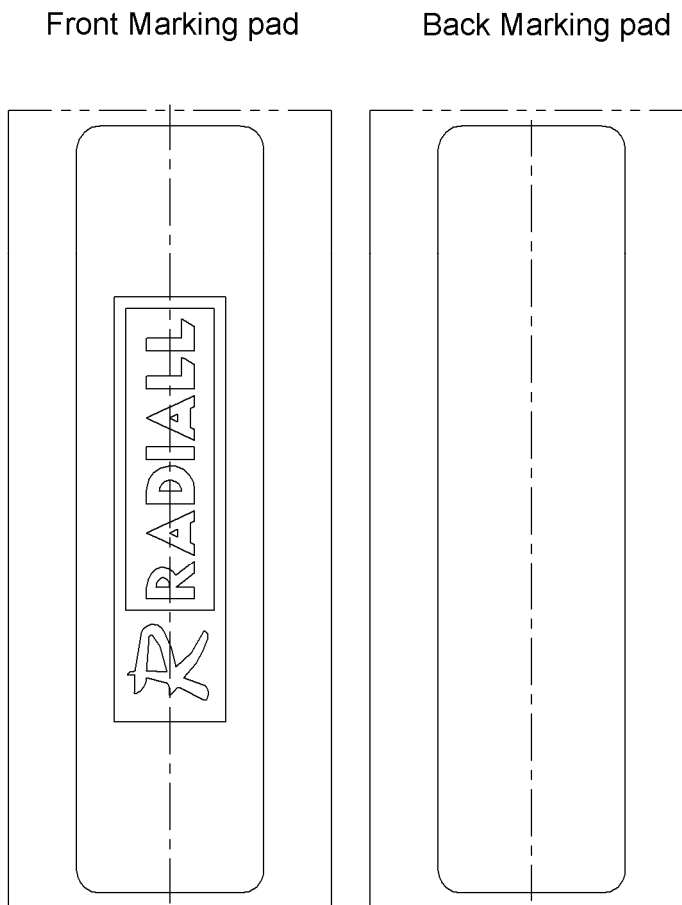


PAGE 1/2	ISSUE 1438A	SERIES ANTENNA	PART NUMBER R380900341
----------	-------------	-------------------	------------------------

Scale 1 : 1

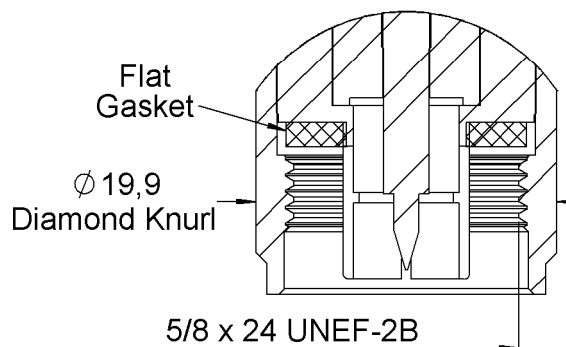


Scale 2 : 1



Fixed Coupling Nut

Scale 2 : 1
N Plug Connector



All dimensions are in mm

PAGE 2/2	ISSUE 1438A	SERIES ANTENNA	PART NUMBER R380900341
----------	-------------	-------------------	------------------------

ELECTRICAL CHARACTERISTICS

Frequency :	824-960 / 1710-2170	MHz
Frequency Bands :	AMPS, GSM, DCS, PCS, UMTS	
Nominal Impedance :	50	Ω
VSWR :	3.0:1	Max
Peak Gain :	2	dBi
Radiation Pattern		
Horizontal Plane :	Omni-directional	
Vertical Plane :	Dipolar	
Polarization :	VERTICAL	
Power rating :	5	W max
Connector type :	N Plug (Male)	

MECHANICAL CHARACTERISTICS

Radome :		
Material :	PET	
Color :	BLACK	
General texture :	MT-11040	
Logo texture :	MT-11020	
Weight :	70	g max
Overall dimensions :	ø21.3 x 141.5	mm

ENVIRONMENTAL CHARACTERISTICS

Operating temperature :	-30/+70	°C
Storage temperature :	-40/+85	°C
Ingress Protection (mated):	IP 67	
Humidity (Non condensing)	95%	
	+20/+60°	
	IAW Mil Std 810F	
	Meth 507.4-1	
Wind Rating	60	m/s
Salt Fog	96	H
	Mil-Std-810F	
	Meth. 509.4	