

SPECIFICATIONS

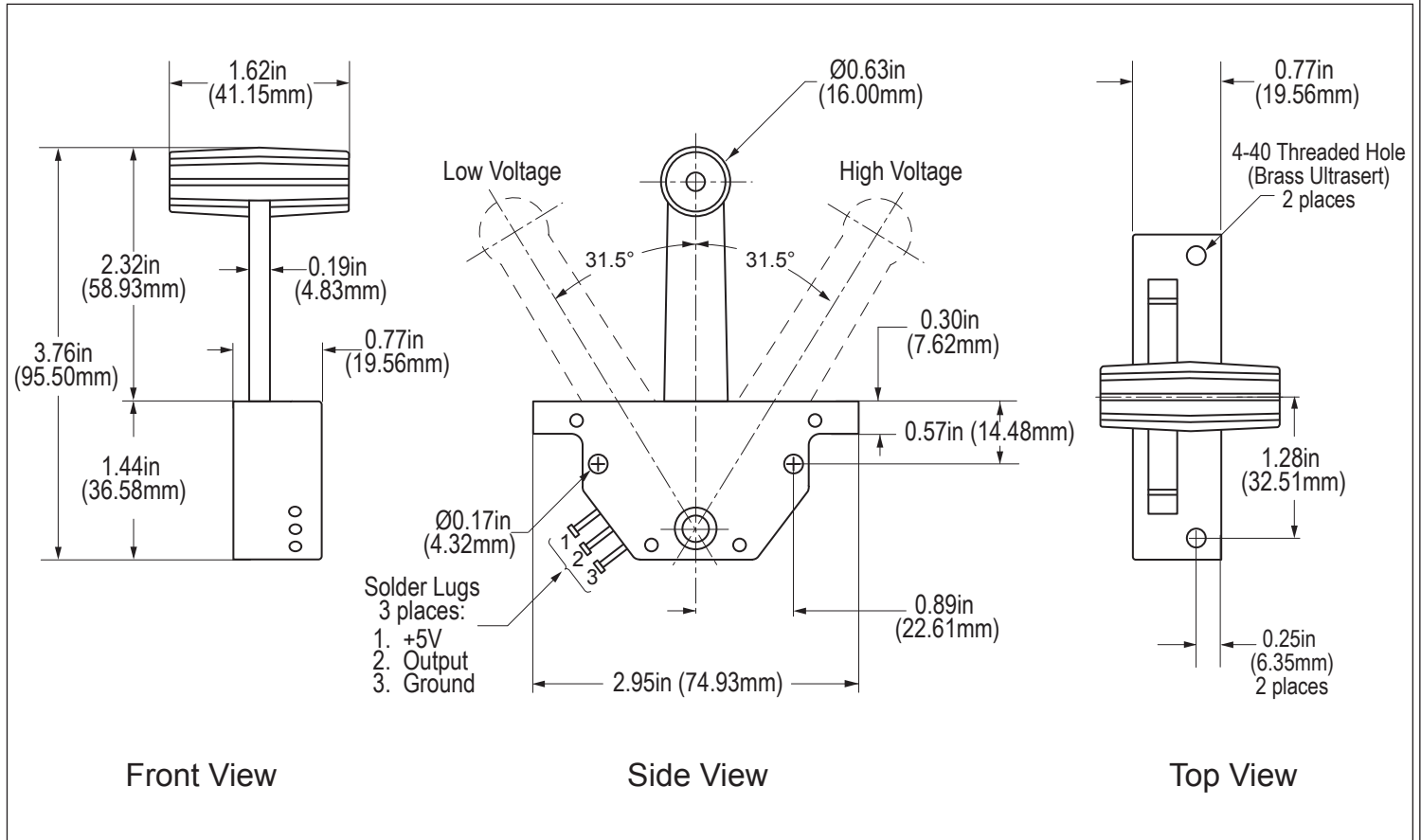
ELECTRICAL

SUPPLY VOLTAGE	5.0V DC
CENTER VOLTAGE	2.5V DC
SUPPLY CURRENT	6mA max
OUTPUT CURRENT	2mA max
EFFECTIVE OUTPUT	0V – 5V DC
OUTPUT TOLERANCE	±2%

MECHANICAL

OPERATING TRAVEL	63° (31.5° from center)
CENTERING	Friction clutch
OPERATING FORCE	0.115Nm
OPERATING TEMP	-40°C to +85°C
LIFE EXPECTANCY	10 million operations

RoHS compliant



P/N	TBF-PO	REV A
DESCRIPTION	T-Bar Fader	
PROPRIETARY AND CONFIDENTIAL THE INFORMATION CONTAINED IN THIS DRAWING IS THE SOLE PROPERTY OF CH PRODUCTS. ANY REPRODUCTION IN PART OR AS WHOLE WITHOUT THE WRITTEN PERMISSION OF CH PRODUCTS IS PROHIBITED.		