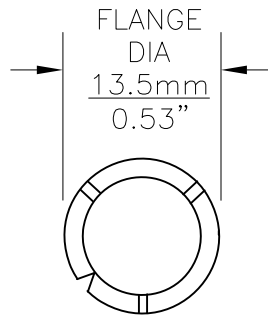


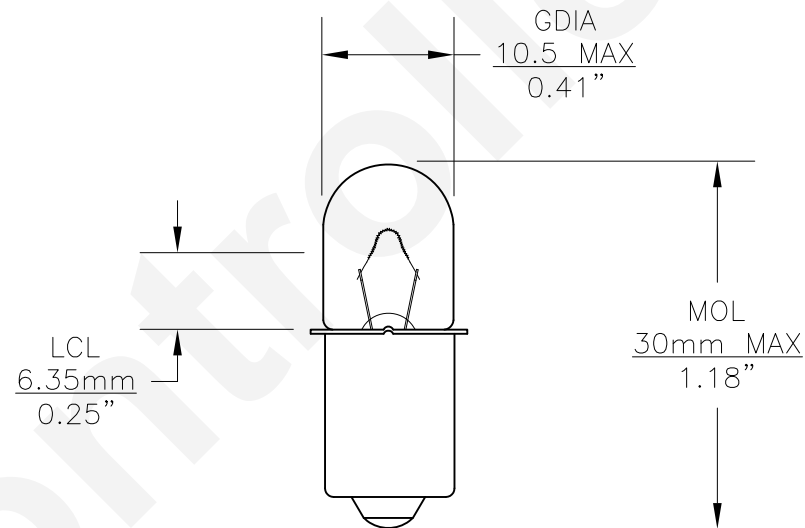
PART NO.	BASE TYPE	DESIGN VOLTS	DESIGN WATTS	DESIGN AMPS	MSCP	FILAMENT TYPE	AVERAGE LIFE HOURS
XPR18	S.C. MINIATURE FLANGED P13.5s	18	10.6	0.59 ±10%	14.3 ±15%	C-2R	150

REVISIONS			
REV	DESCRIPTION	DATE	APPROVED
1	ISSUED	04/14/2003	A.S.
2	ROHS COMPLIANT, LEAD FREE	10/25/2006	D.C.
3	REVISED LIFE HR. MSCP & MOL DIMENSION	07/11/2012	D.C.

RoHS COMPLIANT
LEAD FREE



TOP VIEW



UNLESS OTHERWISE SPECIFIED: DIMENSIONS ARE IN INCHES TOLERANCES		CEC INDUSTRIES LTD			
DECIMALS .XX ± .05 .XXX ± .010 FRACTIONAL ±1/64		599 BOND STREET		LINCOLNSHIRE, IL 60069	
DRAWN Anna Soloveychik		DATE 04/14/2003		TITLE LIGHT BULB NO. XPR18, XENON	
CHECKED	DESIGN	SIZE A	FSCM NO.	DWG NO. XPR18	REV 3
MATERIAL		SCALE	PLOT SCALE	SHEET 1 OF 1	
		FILE XPR18.dwg	DO NOT SCALE DRAWING		