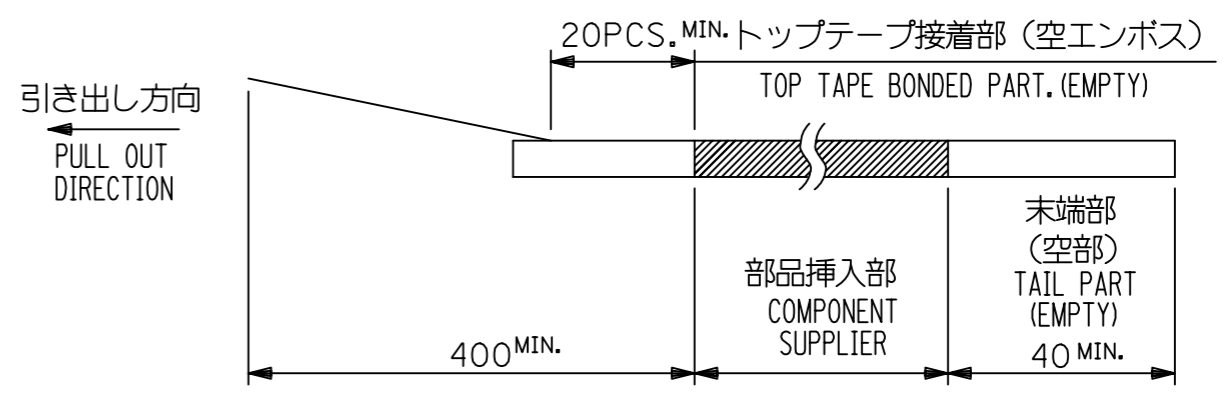


**NOTE**

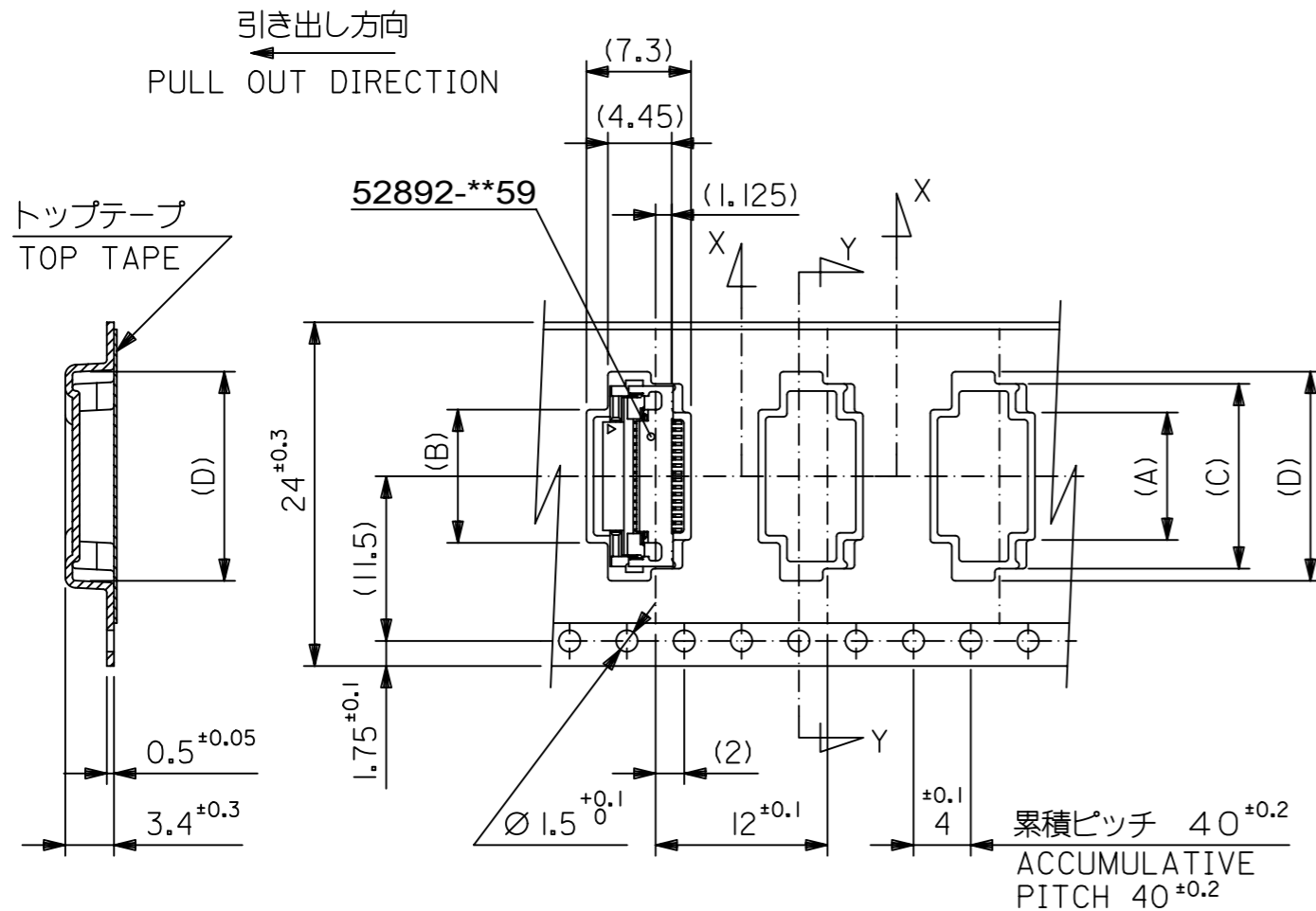
- 1.製品詳細寸法については図面 528921001 PSD 000 を参照下さい。  
RE DETAILED DIMENSION, SEE DOC. NO. 528921001 PSD 000.
- 2.梱包数量：1000個/リール  
NUMBER OF CONNECTORS：1000 PCS/REEL
- 3.リードテープ長さ LEAD TAPE LENGTH



- 3.トップテープの剥離強度：IEC60286-3.  
PEELING OFF FORTH OF TOP TAPE：REFER TO IEC60286-3.
- 4.材料 MATERIAL  
 キャリアテープ：ポリプロピレン  
 トップテープ：PET, PE, PEF  
 リール：ポリスチレン (PS) <リサイクル材を含む>  
 CARRIER TAPE：POLYPROPYLENE  
 TOP TAPE：PET, PE, PEF  
 REEL：POLYSTYRENE (PS) <RECYCLE MATERIAL CONTAINED >
- 5.本製品は52892-\*\*95の金めっき品である。  
THIS PRODUCT IS GOLD PLATING OF 52892-\*\*95.

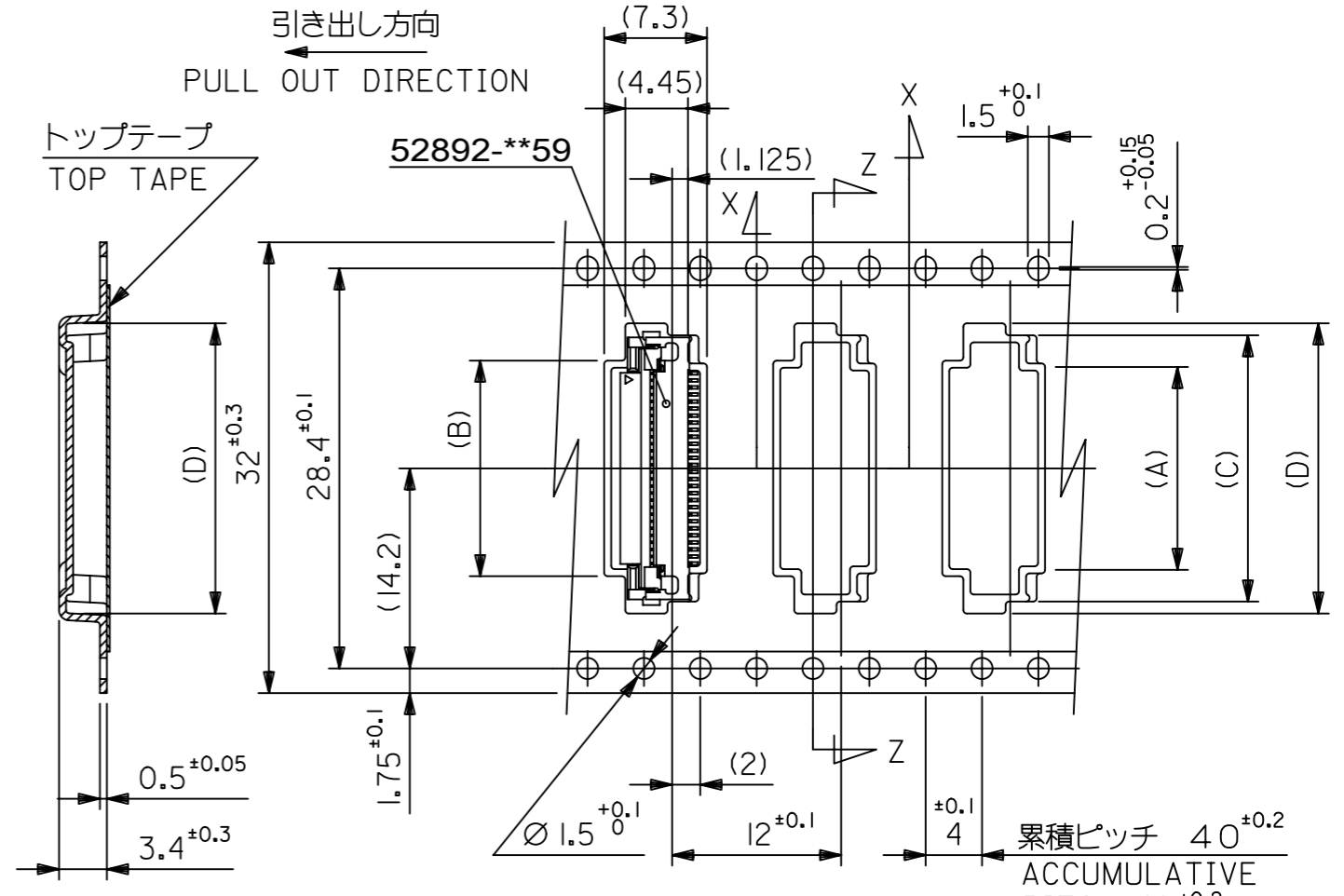
MODEL NO. 52892-\*\*96

THIS DRAWING CONTAINS INFORMATION THAT IS PROPRIETARY TO MOLEX ELECTRONIC TECHNOLOGIES, LLC AND SHOULD NOT BE USED WITHOUT WRITTEN PERMISSION											
DIMENSION UNITS mm		SCALE ---		CURRENT REV DESC: REMOVED OBSOLETE PART NUMBER AS PER PCN#511695.				<b>molex</b>		0.5 FFC/FPC ZIF SMT HSGASSY EMBSTPPKG	
GENERAL TOLERANCES (UNLESS SPECIFIED)				EC NO: 730178 DRWN: SANTHN 2022/11/29 CHK'D: GGA 2023/01/04 APPR: GGA 2023/01/04							
ANGULAR TOL ± °				INITIAL REVISION: DRWN: YMIZUNO02 2016/12/14 APPR: TKUSUHARA01 2016/12/20				DOCUMENT NUMBER 528920001		DOC TYPE DOC PART REVISION PSD 000 A1	
4 PLACES ±				DRAFT WHERE APPLICABLE MUST REMAIN WITHIN DIMENSIONS				MATERIAL NUMBER SEE CHART		CUSTOMER GENERAL	
3 PLACES ±				THIRD ANGLE PROJECTION		DRAWING A3-SIZE		SERIES 52892		SHEET NUMBER 1 OF 2	
2 PLACES ±				DRAWING A3-SIZE		SERIES 52892		MATERIAL NUMBER SEE CHART		CUSTOMER GENERAL	
1 PLACE ±				DRAWING A3-SIZE		SERIES 52892		MATERIAL NUMBER SEE CHART		CUSTOMER GENERAL	
0 PLACES ±				DRAWING A3-SIZE		SERIES 52892		MATERIAL NUMBER SEE CHART		CUSTOMER GENERAL	



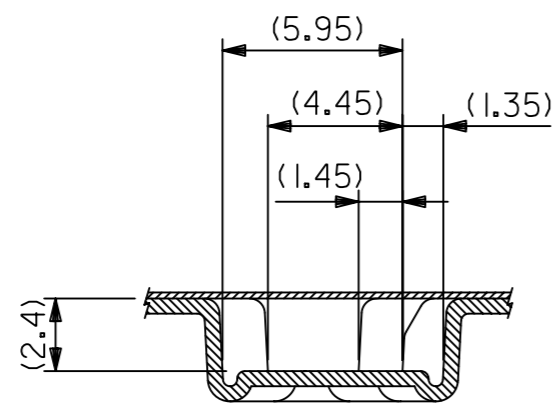
SECT : Y-Y

24mm幅キャリアテープ  
24mm WIDTH CARRIER TAPE



SECT : Z-Z

32mm幅キャリアテープ  
32mm WIDTH CARRIER TAPE

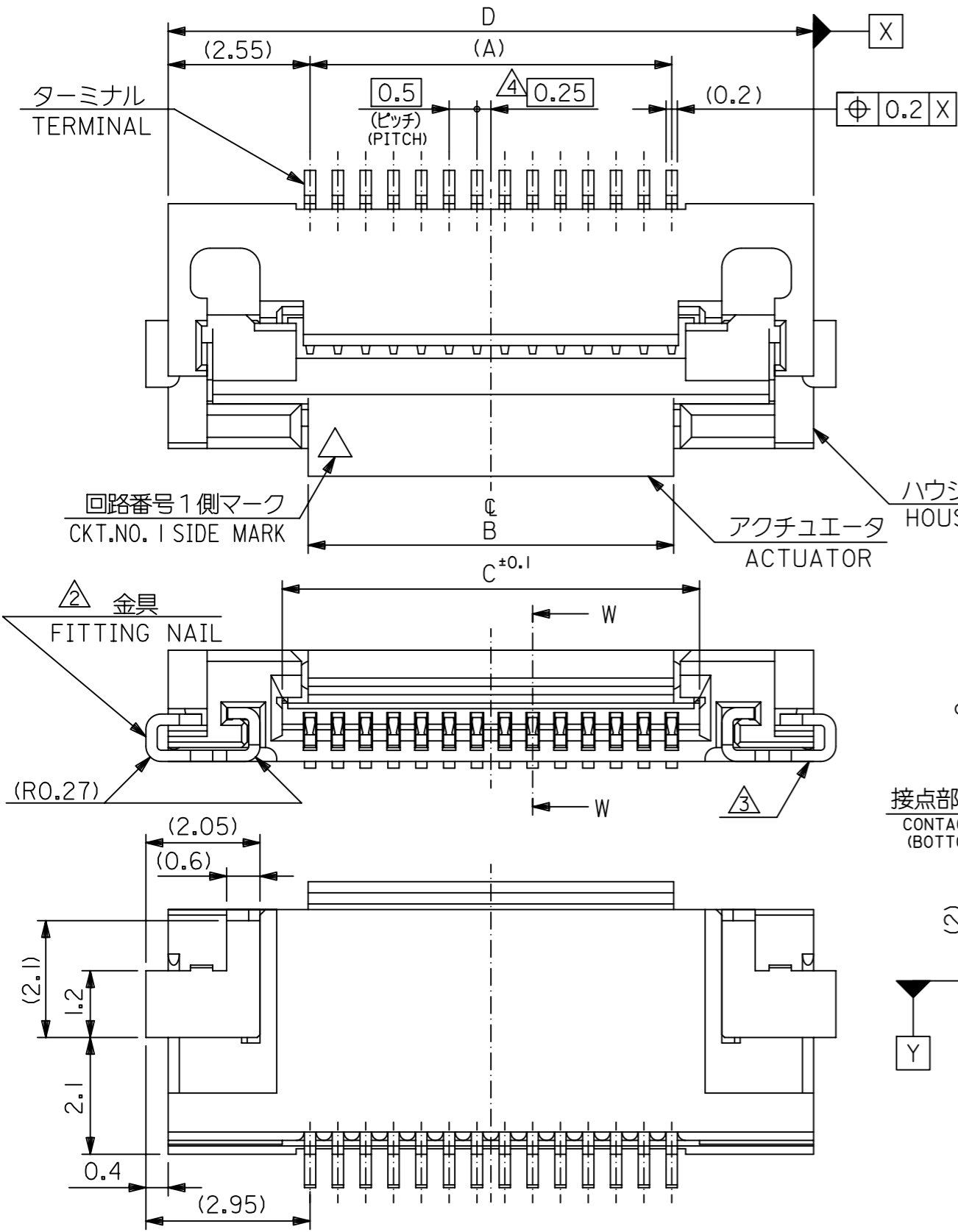


SECT : X-X

32	37.4	33.4	18.6	16.9	13.1	12.9	52892-2459	52892-2496	24
24	29.4	25.4	16.6	14.9	11.1	10.9	52892-2059	52892-2096	20
			14.6	12.9	9.1	8.9	52892-1659	52892-1696	16
			11.6	9.9	6.1	5.9	52892-1059	52892-1096	10
			10.6	8.9	5.1	4.9	52892-0859	52892-0896	8
キャリアテープ幅 CARRIER TAPE WIDTH	F	E	(D)	(C)	(B)	(A)	CONNECTOR	MATERIAL NO. MODEL NO. 52892-**-96	CKT

THIS DRAWING CONTAINS INFORMATION THAT IS PROPRIETARY TO MOLEX ELECTRONIC TECHNOLOGIES, LLC AND SHOULD NOT BE USED WITHOUT WRITTEN PERMISSION

DIMENSION UNITS mm	SCALE ---	CURRENT REV DESC: REMOVED OBSOLETE PART NUMBER AS PER PCN#511695.	<b>molex</b>			
GENERAL TOLERANCES (UNLESS SPECIFIED)						0.5 FFC/FPC ZIF SMT HSGASSY EMBSTPPKG
ANGULAR TOL ± °		EC NO: 730178	PRODUCT CUSTOMER DRAWING			
4 PLACES ±		DRWN: SANTHN	2022/11/29	DOCUMENT NUMBER		
3 PLACES ±		CHK'D: GGA	2023/01/04	DOC TYPE		
2 PLACES ±		APPR: GGA	2023/01/04	DOC PART		
1 PLACE ±		INITIAL REVISION:	REVISION			
0 PLACES ±		DRWN: YMIZUNO02	2016/12/14	528920001		
		APPR: TKUSUHARA01	2016/12/20	PSD 000 A1		
DRAFT WHERE APPLICABLE MUST REMAIN WITHIN DIMENSIONS	THIRD ANGLE PROJECTION	DRAWING	SERIES	MATERIAL NUMBER	CUSTOMER	SHEET NUMBER
		A3-SIZE	52892	SEE CHART	GENERAL	2 OF 2



注記 NOTES

- 1.材質 MATERIAL  
 ハウジング : 46ナイロン、ガラス充填、UL94V-0、ナチュラル(白色)  
 HOUSING : 46NYLON, GLASS FILLED, UL94V-0, NATURAL(WHITE)  
 アクチュエータ : PPS、ナチュラル(茶色)、ガラス充填、UL94V-0  
 ACTUAOR : PPS, NATURAL(BROWN), GLASS FILLED, UL94V-0  
 ターミナル : リン青銅 (t=0.2)  
 TERMINAL : PHOSPHOR BRONZE (t=0.2)
- めっき PLATING  
 接点部 : 金めっき (0.1μm以上)  
 テール部 : 金めっき (0.03μm以上)  
 ニッケル下地 (1.5μm以上)  
 CONTACT : GOLD PLATING (0.1 MICROMETER MINIMUM)  
 TAIL : GOLD PLATING (0.03 MICROMETER MINIMUM)  
 OVER NICKEL PLATING (1.5 MICROMETER MINIMUM)
- 金具 : リン青銅 (t=0.2)  
 FITTING NAIL : PHOSPHOR BRONZE (t=0.2)
- めっき PLATING  
 錫めっき (1.0μm以上)  
 ニッケル下地 (1.0μm以上)  
 CONTACT : GOLD PLATING (1.0 MICROMETER MINIMUM)  
 OVER NICKEL PLATING (1.0 MICROMETER MINIMUM)
- △2 パターンはくり止め用金具  
 FITTING NAIL FOR PREVENTION OF PEELING OF PCB PATTERN.
- △3 ソルダータール半田付け面のズレ量、及び金具半田付け面のズレ量は、  
 基準面 Y に対し上方向0.05MAX.、下方向0.2MAX.とする。  
 MISALIGNMENT OF SOLDER TAILS AND FITTING NAILS FROM Y  
 UPPER DIREVTION : 0.05 MAX. , LOWER DIRECTION : 0.2 MAX.
- △4 偶数極に適用。  
 APPLY FOR EVEN CIRCUIT.
- 5.テール及びネイルの平坦度は、0.1 MAX.  
 TAIL AND NAIL COPLANARITY TO BE 0.1 MAX.
- 6.本製品は52892シリーズの金めっき品である。  
 THIS PRODUCT IS GOLD PLATING OF 52892 SERIES.
- 7.ELV及びRoHS適合品。  
 ELV AND RoHS COMPLIANT.

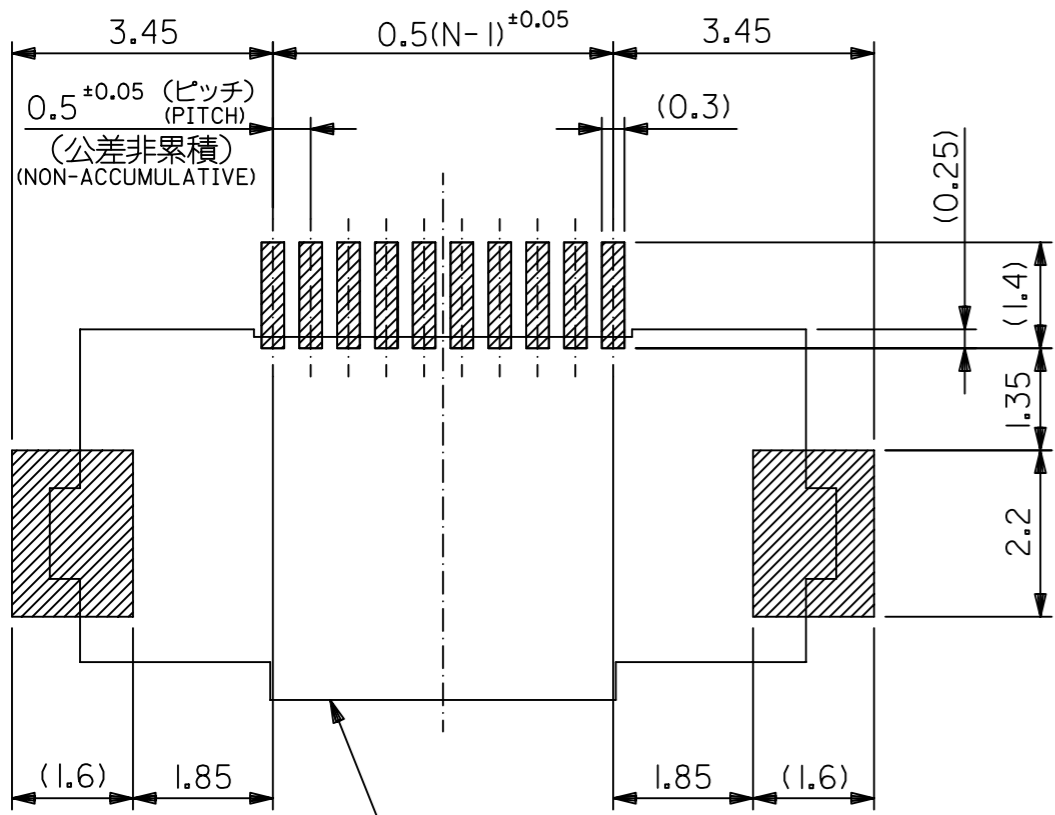
16.6	12.5	11.57	11.5	52892-2496	52892-2459	24
14.6	10.5	9.57	9.5	52892-2096	52892-2059	20
12.6	8.5	7.57	7.5	52892-1696	52892-1659	16
9.6	5.5	4.57	4.5	52892-1096	52892-1059	10
8.6	4.5	3.57	3.5	52892-0896	52892-0859	8
D	C	B	(A)	EMBOSSSED TAPE	MATERIAL NO.	CKT
				ORDER NO.	MODEL NO. 52892-*	59

THIS DRAWING CONTAINS INFORMATION THAT IS PROPRIETARY TO MOLEX ELECTRONIC TECHNOLOGIES, LLC AND SHOULD NOT BE USED WITHOUT WRITTEN PERMISSION

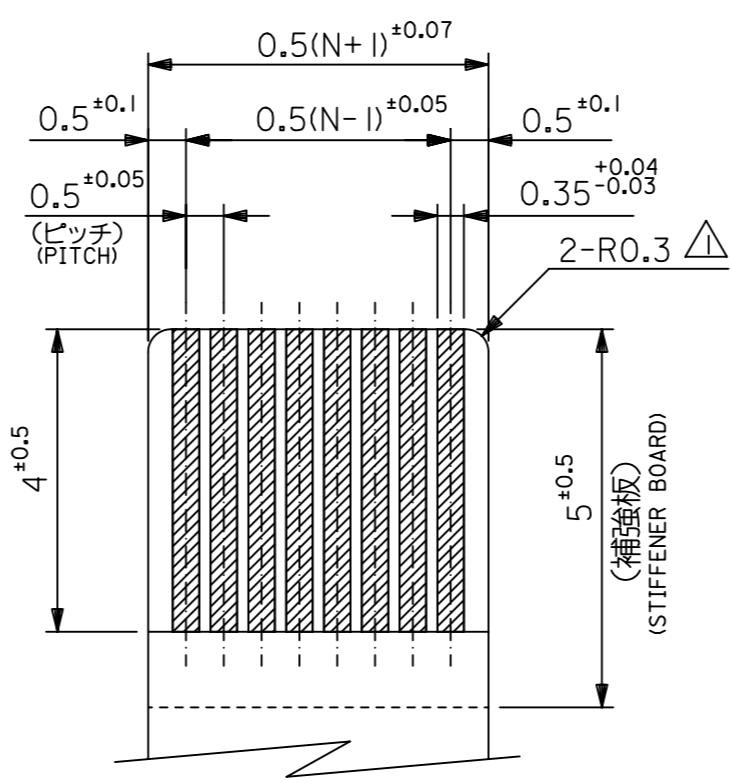
DIMENSION UNITS mm	SCALE ---	CURRENT REV DESC: REMOVED OBSOLETE PART NUMBER AS PER PCN#511695.	<b>molex</b>		
GENERAL TOLERANCES (UNLESS SPECIFIED)		EC NO: 730178			
ANGULAR TOL ± 3.0°		DRWN: SANTHN	PRODUCT CUSTOMER DRAWING		
4 PLACES ± 0.2		CHK'D: GGA	DOCUMENT NUMBER		
3 PLACES ± 0.2		APPR: GGA	DOC TYPE		
2 PLACES ± 0.2		INITIAL REVISION:	DOC PART		
1 PLACE ± 0.2		DRWN: YMIZUNO02	REVISION		
0 PLACES ± 0.2		APPR: TKUSUHARA01	528921001		
DRAFT WHERE APPLICABLE MUST REMAIN WITHIN DIMENSIONS		THIRD ANGLE PROJECTION	MATERIAL NUMBER		
		DRAWING	CUSTOMER		
		SERIES	SEE CHART		
		MATERIAL NUMBER	GENERAL		
		CUSTOMER	1 OF 2		

GENERAL TOLERANCES (UNLESS SPECIFIED)

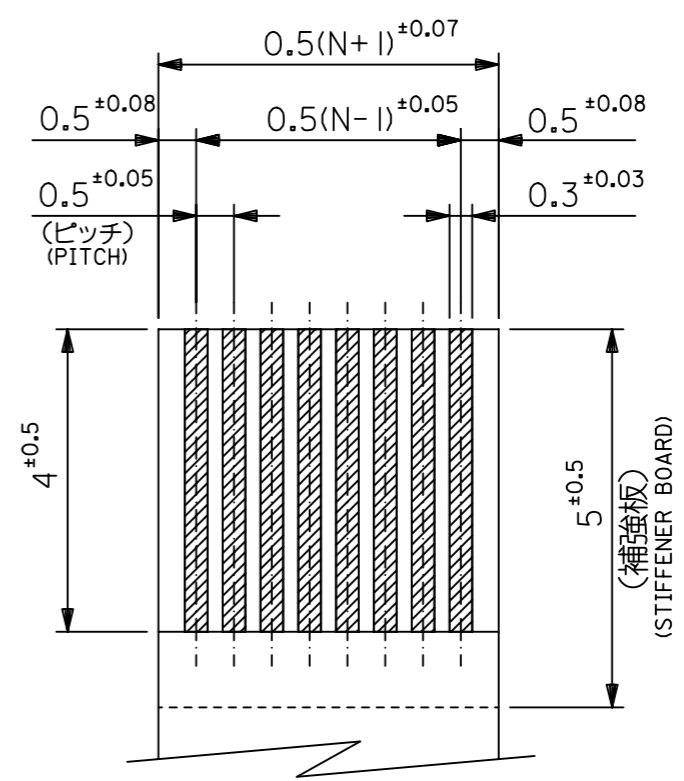
10 UNDER	±0.2
10 OVER 30 UNDER	±0.25
30 OVER	±0.3



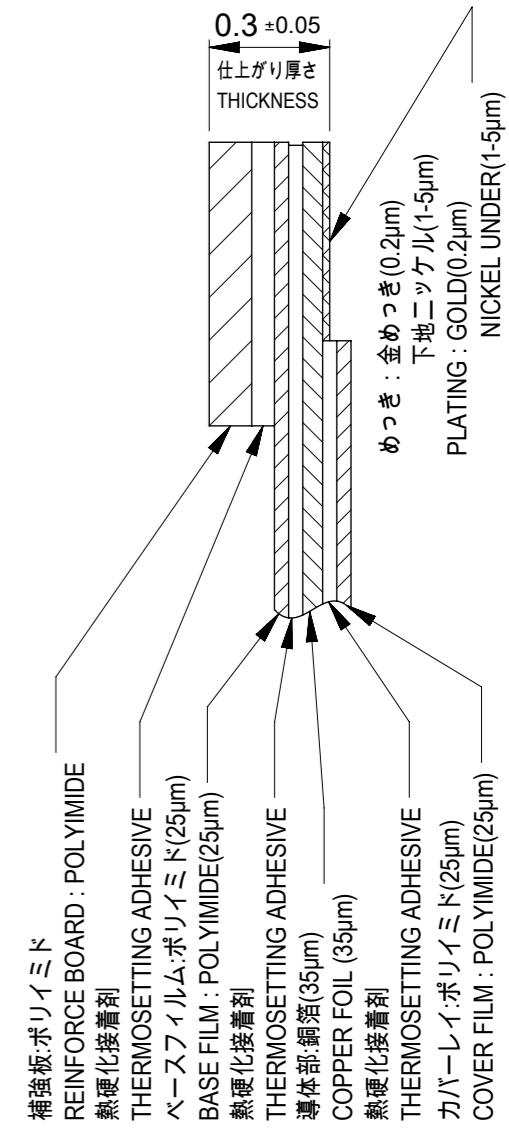
参考基板レイアウト  
RECOMMENDED P.C. BOARD  
PATTERN DIMENSION (REF.)  
(マウント面)  
(MOUNTING SIDE)



適合FPC推奨寸法  
APPLICABLE FPC  
RECOMMENDED DIMENSION  
(仕上がり厚さ: 0.3 ± 0.05)  
(THICKNESS: 0.3 ± 0.05)



適合FFC推奨寸法  
APPLICABLE FFC  
RECOMMENDED DIMENSION  
(仕上がり厚さ: 0.3 ± 0.05)  
(THICKNESS: 0.3 ± 0.05)



FPC構成推奨仕様  
STRUCTURE OF FPC

注記 NOTES

- 1. R0.3はFPCの導体部にかからないこと。  
R0.3 MUST NOT BE OVERLAPPED TO PATTERN OF FPC.
- 2. FPCについて ABOUT FPC :  
打ち抜き方向は導体側から補強板側を推奨します。  
導体部については軟箔銅35µmまたは50µmを推奨します。  
補強フィルム材質はポリイミドを推奨します。ベースフィルムは25µmを推奨します。  
接着剤は熱硬化接着剤を推奨します。  
尚、接着剤の接点部への付着は導通不良の原因になりますので、染み出しが無い様、お願い致します。  
RECOMMENDED PUNCHING DIRECTION : FROM CONDUCTOR SIDE TO STIFFENER SIDE  
RECOMMENDED CONDUCTOR SPEC : SOFT COPPER FOIL  
RECOMMENDED CONDUCTOR THICKNESS : 35 MICROMETER OR 50 MICROMETER  
RECOMMENDED STIFFENER MATERIAL : POLYIMIDE  
RECOMMENDED BASE FILM THICKNESS : 25 MICROMETER  
RECOMMENDED ADHESIVE : THERMOSETTING ADHESIVE  
NOTE : PLEASE PUT APPROPRIATE AMOUNT OF ADHESIVE ON ADHEREND BECAUSE THERE IS A POSSIBILITY THAT THE EXTRA ADHESIVE CAUSES THE DEFECT IN ELECTRICAL CONTINUITY.

THIS DRAWING CONTAINS INFORMATION THAT IS PROPRIETARY TO MOLEX ELECTRONIC TECHNOLOGIES, LLC AND SHOULD NOT BE USED WITHOUT WRITTEN PERMISSION											
DIMENSION UNITS		SCALE		CURRENT REV DESC: REMOVED OBSOLETE PART NUMBER AS PER PCN#511695.							
mm		---									
GENERAL TOLERANCES (UNLESS SPECIFIED)											
ANGULAR TOL ± 3.0°				EC NO: 730178 DRWN: SANTHN 2022/11/29 CHK'D: GGA 2023/01/04 APPR: GGA 2023/01/04							
4 PLACES ± 0.2											
3 PLACES ± 0.2				INITIAL REVISION: DRWN: YMIZUNO02 2016/12/14 APPR: TKUSUHARA01 2016/12/20							
2 PLACES ± 0.2											
1 PLACE ± 0.2				DOCUMENT NUMBER		DOC TYPE		DOC PART		REVISION	
0 PLACES ± 0.2				528921001		PSD		000		A1	
DRAFT WHERE APPLICABLE MUST REMAIN WITHIN DIMENSIONS				THIRD ANGLE PROJECTION		DRAWING		SERIES		SHEET NUMBER	
				A3-SIZE		52892		SEE CHART		GENERAL 2 OF 2	