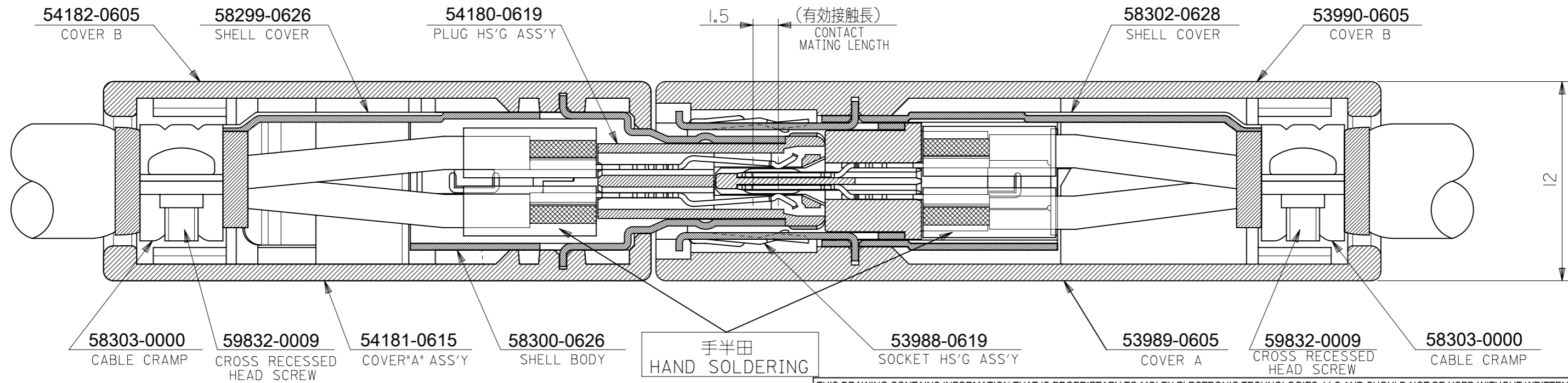
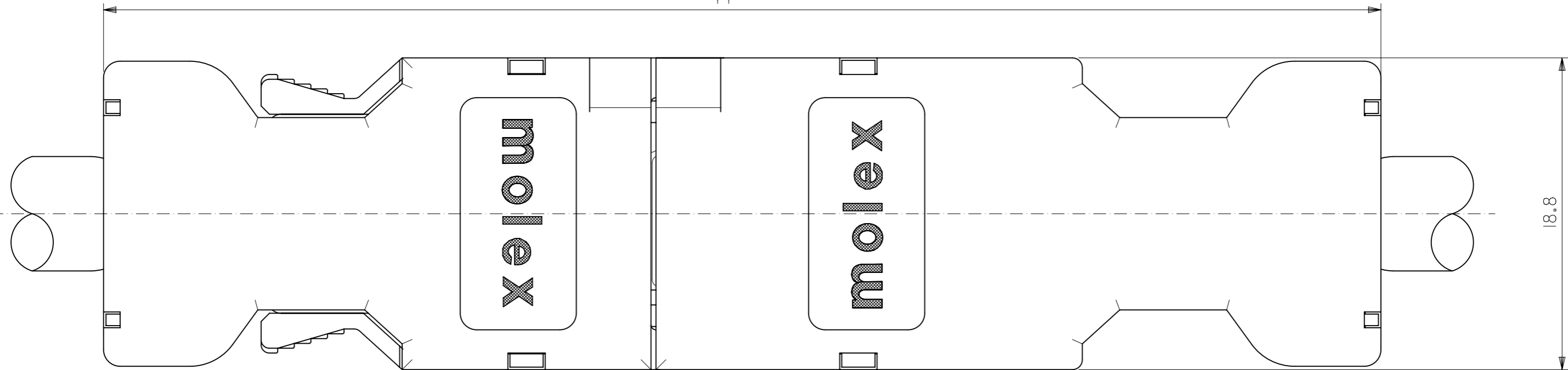


プラグ側 (55100-06*0)
PLUG SIDE

ソケット側 (54280-0609)
SOCKET SIDE

77

18.8



54182-0605
COVER B

58299-0626
SHELL COVER

54180-0619
PLUG HS'G ASS'Y

1.5 (有効接触長)
CONTACT MATING LENGTH

58302-0628
SHELL COVER

53990-0605
COVER B

12

58303-0000
CABLE CRAMP

59832-0009
CROSS RECESSED
HEAD SCREW

54181-0615
COVER*A ASS'Y

58300-0626
SHELL BODY

手半田
HAND SOLDERING

53988-0619
SOCKET HS'G ASS'Y

53989-0605
COVER A

59832-0009
CROSS RECESSED
HEAD SCREW

58303-0000
CABLE CRAMP

注記
NOTE

- 本製品は55100-0600, 54280-0600の鉛フリー品である。
THIS PRODUCT IS LEAD FREE OF 55100-0600 AND 54280-0600.

THIS DRAWING CONTAINS INFORMATION THAT IS PROPRIETARY TO MOLEX ELECTRONIC TECHNOLOGIES, LLC AND SHOULD NOT BE USED WITHOUT WRITTEN PERMISSION

REVISED EC NO: 119030 DRWN: TNAKAGAWA01 CHK'D: KTAKAHASHI APPR: MSASAO	2017/07/06	GENERAL TOLERANCES (UNLESS SPECIFIED)	DIMENSION UNITS	SCALE
	2017/07/11	ANGULAR TOL ± °	MM	4:1
	2017/07/11	4 PLACES ±	DRWN BY	DATE
		3 PLACES ±	MNABEI	2008/04/09
		2 PLACES ±	CHK'D BY	DATE
		1 PLACE ±	MISOGAYA	2008/04/10
	0 PLACES ±	APPR BY	DATE	
		NUKITA	2008/04/11	
		DRAFT WHERE APPLICABLE MUST REMAIN WITHIN DIMENSIONS	DRAWING SIZE	THIRD ANGLE PROJECTION
			A3	

molex

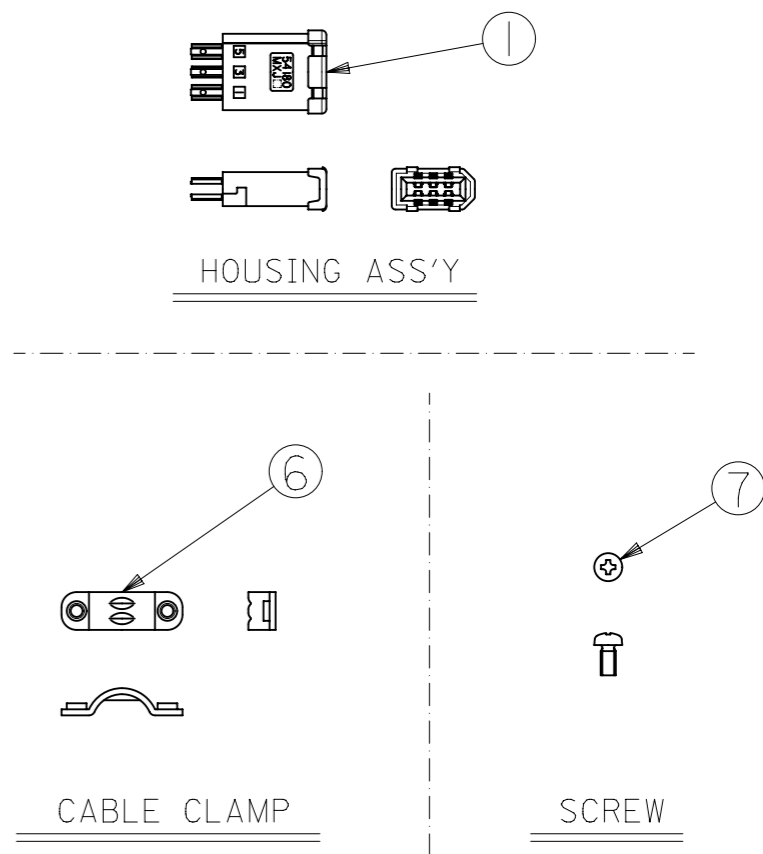
2.0 I/O CONN. CROSS-SECT.
VIEW OF MATED CONNECTORS -LEAD FREE-

PRODUCT CUSTOMER DRAWING

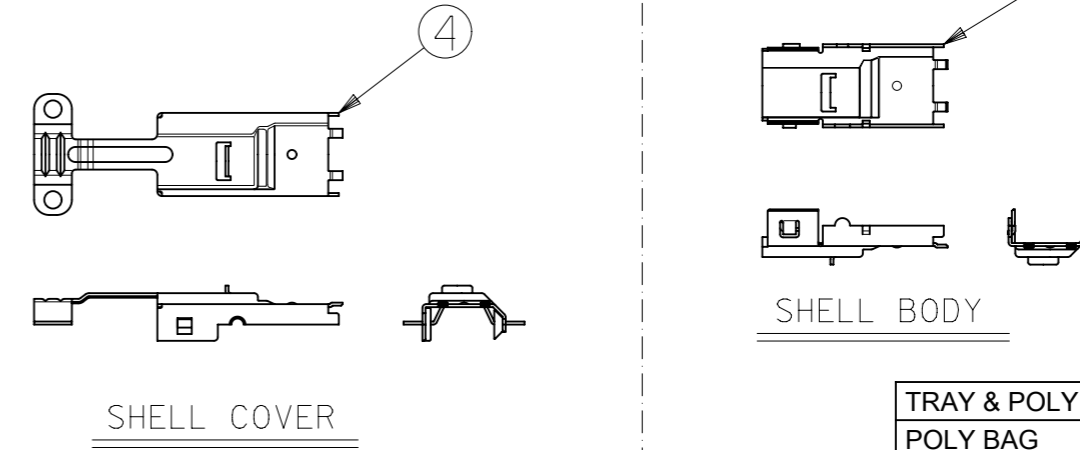
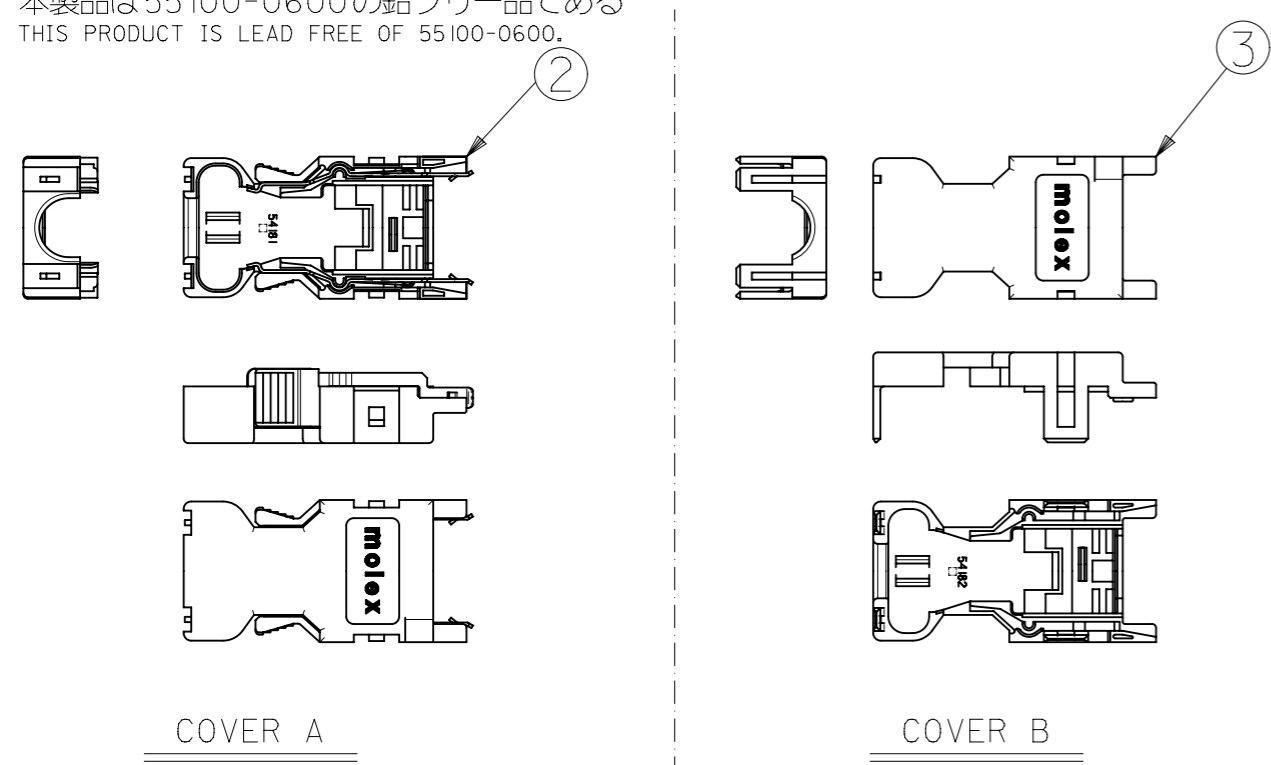
SERIES	MATERIAL NUMBER	CUSTOMER	
54280	SEE IN FIGURE	GENERAL MARKET	
DOCUMENT NUMBER	DOC TYPE	DOC PART	SHEET NUMBER
SD-54280-011	PSD	001	1 OF 1

部品構成
PARTS CONSTRUCTION

部番 NO.	部品名 PART NAME	製品番号 ENG. NO.	個数 QUAN.	材質 MATERIAL
①	ハウジングアッセンブリ HOUSING ASS'Y	54180-0619	1	ハウジング：ガラス入り耐熱樹脂 UL94V-0 色：黒 HOUSING : G.F. HEAT RESISTANT PLASTIC UL94V-0 COLOR : BLACK ターミナル：りん青銅 t0.3 TERMINAL : PHOSPHOR BRONZE t0.3 メッキ仕様 接点部：ニッケル下地金メッキ PLATING CONTACT AREA : GOLD OVER NICKEL 結線部：ニッケル下地錫メッキ WIRE TERMINATION AREA : TIN OVER NICKEL
②	カバーA COVER A	54181-0615	1	カバーA：ガラス入りポリカーボネイト樹脂 COVER A : POLYCARBONATE G.F. UL94V-0 色：グレー UL94V-0 COLOR : GRAY スプリングラッチ：ステンレス鋼 t0.4 SPRING LATCH : STAINLESS STEEL t0.4
③	カバーB COVER B	54182-0605	1	ガラス入りポリカーボネイト樹脂 UL94V-0 色：グレー POLYCARBONATE G.F. UL94V-0 COLOR : GRAY
④	シェルカバー SHELL COVER	58299-0626	1	鋼 t0.4 STEEL t0.4
⑤	シェルボディ SHELL BODY	58300-0626	1	メッキ仕様：ニッケル下地、錫メッキ PLATING : NICKEL BASE, TIN PLATING
⑥	ケーブルクランプ CABLE CLAMP	58303-0000	1	ステンレス鋼 STAINLESS STEEL
⑦	十字穴付きなべ小ネジ CROSS RECESSED PAN HEAD MACHINE SCREW	59832-0009	2	黄銅(ネジサイズ：M2X4) BRASS (SCREW SIZE : M2X4)



NOTES:
本製品は55100-0600の鉛フリー品である
THIS PRODUCT IS LEAD FREE OF 55100-0600.



TRAY & POLY BAG	55100-0680	55100-***0
POLY BAG	55100-0670	
PACKAGE METHOD	MATERIAL No.	MODEL No.

THIS DRAWING CONTAINS INFORMATION THAT IS PROPRIETARY TO MOLEX ELECTRONIC TECHNOLOGIES, LLC AND SHOULD NOT BE USED WITHOUT WRITTEN PERMISSION										
REVISED	2017/09/06	GENERAL TOLERANCES (UNLESS SPECIFIED)		DIMENSION UNITS	SCALE					
	2017/09/13	ANGULAR TOL ±		mm	NTS					
	2017/09/13	4 PLACES ±	°	DRWN BY	DATE					
	3 PLACES ±		CHK'D BY	DATE						
	2 PLACES ±		KTAKAHASHI	2017/07/11						
1 PLACE ±		MSASAO	2004/05/21	PRODUCT CUSTOMER DRAWING						
0 PLACES ±		DRAFT WHERE APPLICABLE MUST REMAIN WITHIN DIMENSIONS		DRAWING SIZE	THIRD ANGLE PROJECTION	SERIES	MATERIAL NUMBER	CUSTOMER		
EC NO: 121574	DRWN: ESATO	CHK'D: KTAKAHASHI	APPR: NUKITA	A3		55100	SEE TABLE	GENERAL MARKET		
RELEASE STATUS	P1	RELEASE DATE	13.09.2017	08:24:39	DOCUMENT NUMBER		SD-55100-004	DOC TYPE	DOC PART	SHEET NUMBER
							PSD	001	1 OF 1	