

NOTES :

1. MATERIAL :

HOUSING : HIGH TEMPERATURE NYLON ,GLASS FIBER, UL94-V0 , COLOR: BLACK
 TERMINAL : PHOSPHOR BRONZE
 METAL SHELL : COPPER ALLOY

2. PLATING :

TERMINAL :

CONTACT AREA : (a) GOLD FLASH.

(b) GL0D (Au), THICKNESS = 30 MICROINCH/0.76 MICROMETER

SOLDER TAIL : PURE TIN(Sn),

THICKNESS= 75 MICROINCH /1.9 MICROMETER

UNDER PLATE : NICKEL (NI), THICKNESS= 50 MICROINCH/1.27 MICROMETER

METAL SHELL :

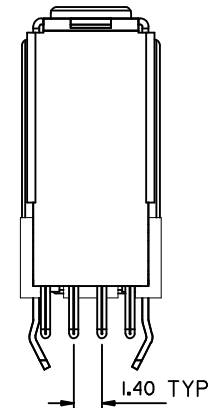
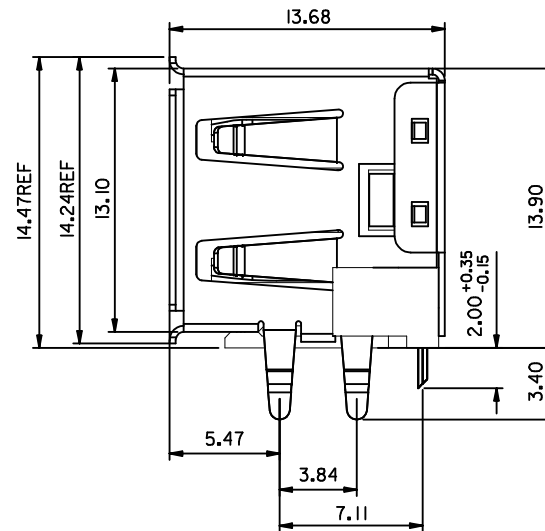
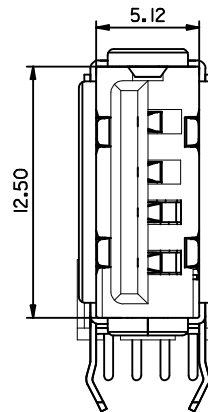
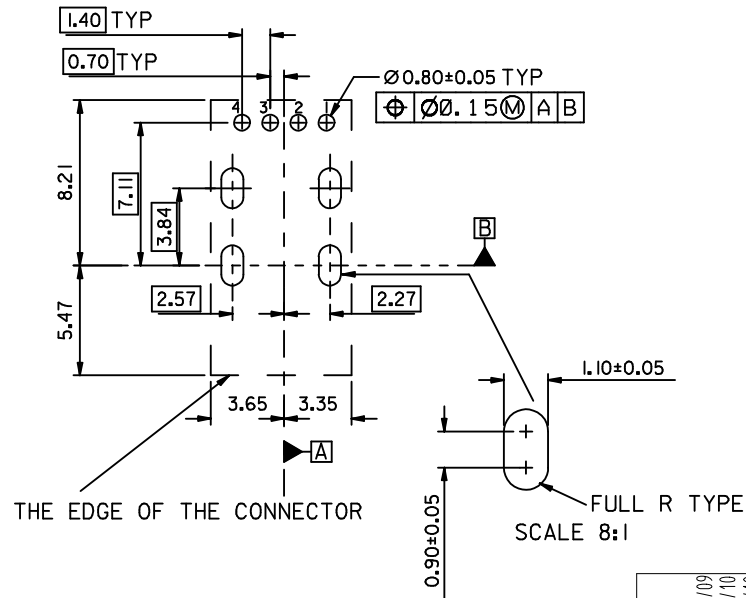
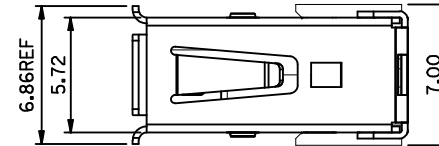
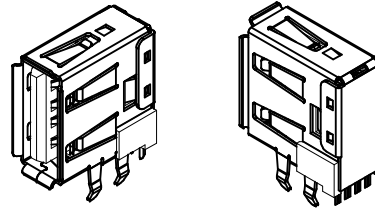
PURE TIN(Sn), THICKNESS=50-100MICROINCH /1.27-2.54MICROMETER.

UNDER PLATE : NICKEL (NI), THICKNESS= 50 MICROINCH/1.27 MICROMETER

3 RECOMMENDED PCB THICKNESS : 1.20±0.05mm & 1.60±0.05 mm

4 PRODUCT SPECIFICATION : REFER TO PS-89485

5 PACKAGING SPECIFICATION : REFER TO PK-67329-001



PART NUMBER LEGEND:

| P/N | CONTACT PLATING |
|------------|-----------------------------------|
| 67329-8000 | GOLD FLASH |
| 67329-8001 | 0.76 MICROMETER/30 MICROINCH GOLD |

| | | |
|-------------|-------------|------------|
| NEW RELEASE | EC NO: | 2005/12/09 |
| | DRW:HPOLIAN | 2006/01/10 |
| | CHKD:HARVEY | 2006/01/10 |
| | APPR:HWANG | 2006/01/10 |
| REV | DESCRIPTION | |
| A | | |

| | |
|-----------------|-----|
| QUALITY SYMBOLS | ▽=0 |
| | ∇=0 |

| | | | |
|--|----------|--------|-------|
| GENERAL TOLERANCES (UNLESS SPECIFIED) | mm | INCH | |
| | 4 PLACES | ± --- | ± --- |
| | 3 PLACES | ± --- | ± --- |
| | 2 PLACES | ± 0.25 | ± --- |
| | 1 PLACE | ± 0.25 | ± --- |
| ANGULAR ± 3 ° | | | |
| DRAFT WHERE APPLICABLE MUST REMAIN WITHIN DIMENSIONS | | | |

| | | | | |
|-----------------|---|---|--------------|------------------------|
| DIMENSION STYLE | | SCALE | DESIGN UNITS | THIRD ANGLE PROJECTION |
| MM ONLY | | 4:1 | METRIC | |
| DRAWN BY | DATE | TITLE | | |
| QIANHUIPING | 2005/12/09 | USB "A" UPRIGHT CONN. FLANGE OUT TYPE LEAD-FREE | | |
| CHECKED BY | DATE | MOLEX INCORPORATED | | |
| HARVEY | 2005/12/09 | | | |
| APPROVED BY | DATE | | | |
| GARY | 2005/12/09 | | | |
| MATERIAL NO. | DOCUMENT NO. | SHEET NO. | | |
| 67329-800* | SD-67329-801 | 1 OF 1 | | |
| SIZE A3 | THIS DRAWING CONTAINS INFORMATION THAT IS PROPRIETARY TO MOLEX INCORPORATED AND SHOULD NOT BE USED WITHOUT WRITTEN PERMISSION | | | |