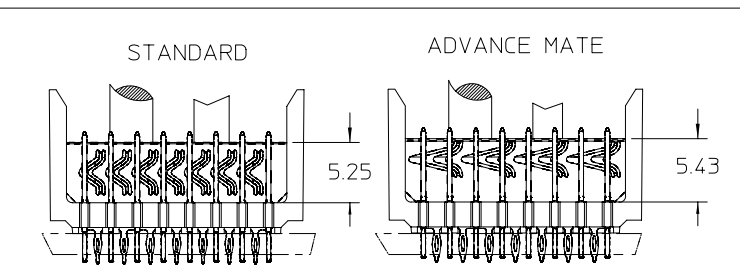
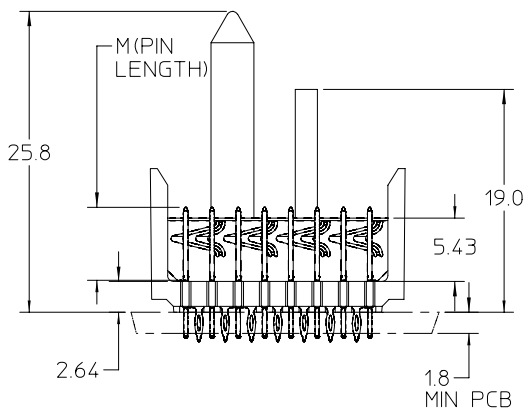
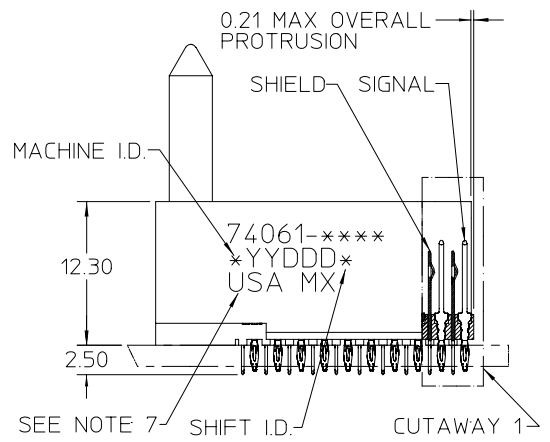


$\varnothing 0.66$ DRILL
 $\varnothing 0.56 \pm 0.05$ PTH
 $\varnothing 100$ PAD
 $\varnothing \varnothing 0.10$

**BACKPLANE HOLE PATTERN
RECOMMENDED DIMENSION**

NOTES:

1. MATERIAL: HOUSING -LIQUID CRYSTAL POLYMER (LCP). GLASS-FILLED. UL 94 V-0. COLOR: BLACK. SIGNAL & SHIELD -COPPER ALLOY.
2. FINISHES: SELECTIVE GOLD (Au) ON CONTACT AREA, SELECTIVE TIN/LEAD (Sn/Pb) ON TAILS, NICKEL OVERALL.
3. THIS PART CONFORMS TO MOLEX PRODUCT SPECIFICATION PS-74031-999.
4. FOR MIXED CONTACT MATING LENGTHS CONSULT MOLEX FOR AVAILABILITY.
5. FOR SPECIFIC PART NUMBER AND MATING INFORMATION REFER TO SHEET 2.
6. PACKAGE PER PK-74061-003.
7. EITHER MARK PART NUMBER AND DATE CODE APPROXIMATELY WHERE SHOWN OR PLACE LABEL ON THE TUBE.

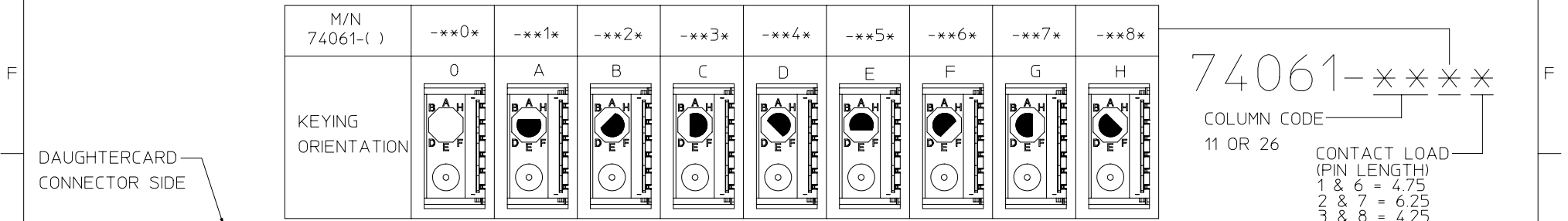


EC NO: UDT2001-1274
 DRWN: MWANG 2001/11/05
 CHKD: NMARTIN 2001/11/05
 APPR: CBXLER 2001/11/06
 A
 REV DESCRIPTION

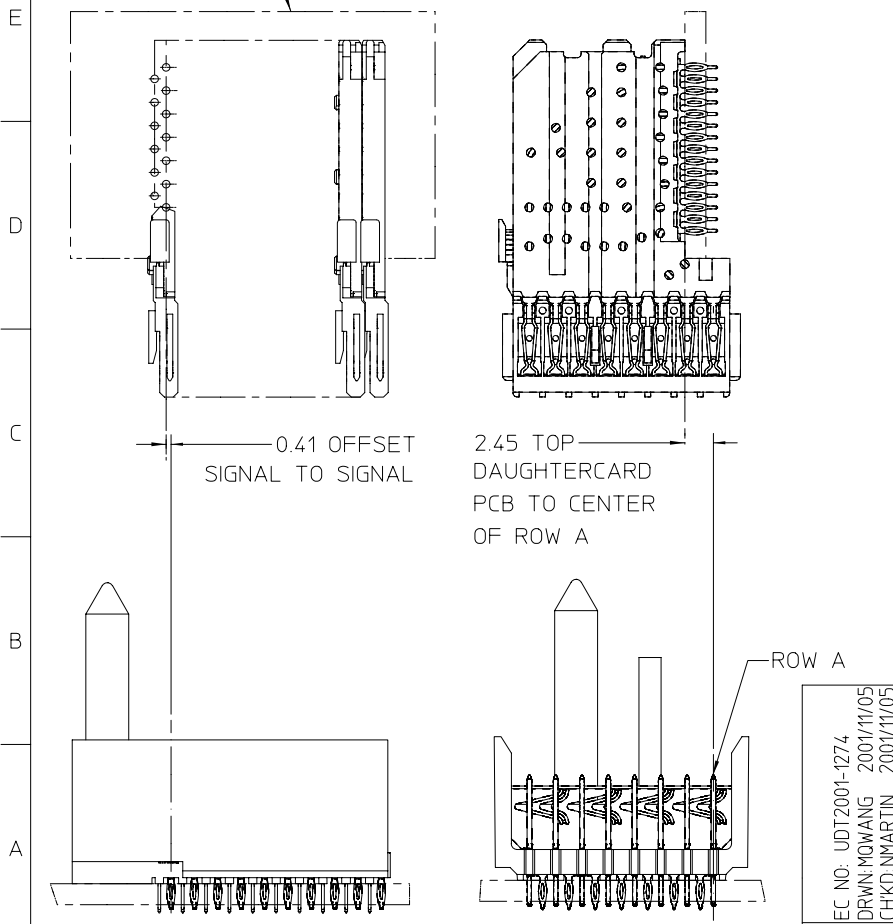
QUALITY SYMBOLS ▽ 0 ▽ 0	GENERAL TOLERANCES (UNLESS SPECIFIED)		SCALE 2.5:1	DESIGN UNITS METRIC	THIRD ANGLE PROJECTION	REVISE ON CAD ONLY
	4 PLACES	± ---	± ---	DIMENSION STYLE MM ONLY		
	3 PLACES	± ---	± ---	DRAWN BY MWANG	DATE 2001/10/03	TITLE VHDM SALES ASSEMBLY 8 ROW ADVANCED MATE SIGNAL END BACKPLANE
	2 PLACES	± ---	± ---	CHECKED BY NMARTIN	DATE 2001/10/04	MOLEX INCORPORATED
	1 PLACE	± ---	± ---	ANGULAR ±1/2°		
DRAFT WHERE APPLICABLE MUST REMAIN WITHIN DIMENSIONS			APPROVED BY CBXLER	DATE 2001/10/04	MATERIAL NO SEE SHEET 2	DOCUMENT NO SD-74061-003

APPROVED BY CBXLER		DATE 2001/10/04	MATERIAL NO SEE SHEET 2	DOCUMENT NO SD-74061-003	SHEET NO 1 OF 2
THIS DRAWING CONTAINS INFORMATION THAT IS PROPRIETARY TO MOLEX INCORPORATED AND SHOULD NOT BE USED WITHOUT WRITTEN PERMISSION					

10 9 8 7 6 5 4 3 2 74061



74061-****
 COLUMN CODE
 11 OR 26
 CONTACT LOAD (PIN LENGTH)
 1 & 6 = 4.75
 2 & 7 = 6.25
 3 & 8 = 4.25
 4 & 9 = 5.15



PART NUMBER	COLUMN	NUMBER OF SIGNALS	NUMBER OF SHIELDS	A MAX	B	M	Au (um) THICKNESS	Sn/Pb (um) THICKNESS
74061-11*1	10	80	10	27.00	18.00	4.25	0.76	0.38-152
74061-11*6							1.27	
74061-2601	25	200	25	57.00	48.00	6.25	0.76	
74061-2606							1.27	
74061-11*2	10	80	10	27.00	18.00	6.25	0.76	
74061-11*7							1.27	
74061-2602	25	200	25	57.00	48.00	6.25	0.76	
74061-2607							1.27	
74061-1103	10	80	10	27.00	18.00	4.25	0.76	
74061-1108							1.27	
74061-2603	25	200	25	57.00	48.00	4.25	0.76	
74061-2608							1.27	
74061-1104	10	80	10	27.00	18.00	5.15	0.76	
74061-1109							1.27	
74061-2604	25	200	25	57.00	48.00	5.15	0.76	
74061-2609							1.27	

tb_frame_B
 rev. B1 2000/08/01

9 8 7 6 5 4 3 2 1

EC NO: UDT2001-1274 DRWN: MWANG 2001/11/05 CHKD: NMARTIN 2001/11/05 APPR: CBIXLER 2001/11/06 DESCRIPTION	QUALITY SYMBOLS	GENERAL TOLERANCES (UNLESS SPECIFIED)	SCALE 2.5:1	DESIGN UNITS METRIC	THIRD ANGLE PROJECTION	REVISE ON CAD ONLY
		4 PLACES ± --- ± ---	DIMENSION STYLE MM ONLY	TITLE		
		3 PLACES ± --- ± ---		VHDM SALES ASSEMBLY		
		2 PLACES ± --- ± ---	DRAWN BY DATE	8 ROW ADVANCED MATE		
1 PLACE ± --- ± ---		MQWANG 2001/10/03	SIGNAL END BACKPLANE			
	ANGULAR ±1/2°	CHECKED BY DATE	MOLEX INCORPORATED			
	DRAFT WHERE APPLICABLE	NMARTIN 2001/10/04	MATERIAL NO	DOCUMENT NO	SHEET NO	
	MUST REMAIN WITHIN DIMENSIONS	CBIXLER 2001/10/04	SEE TABLE	SD-74061-003	2 OF 2	
		THIS DRAWING CONTAINS INFORMATION THAT IS PROPRIETARY TO MOLEX INCORPORATED AND SHOULD NOT BE USED WITHOUT WRITTEN PERMISSION				