

MOLEX P/N	WELD POINT	WELD PACKAGING
747547102	NO	TRAY

PART NO. AND WEEK/YEAR DATE CODE TO BE PRINTED ON THE SIDE OF COMPLETED CAGE ASSEMBLY APPROXIMATELY AS SHOWN

NOTES:

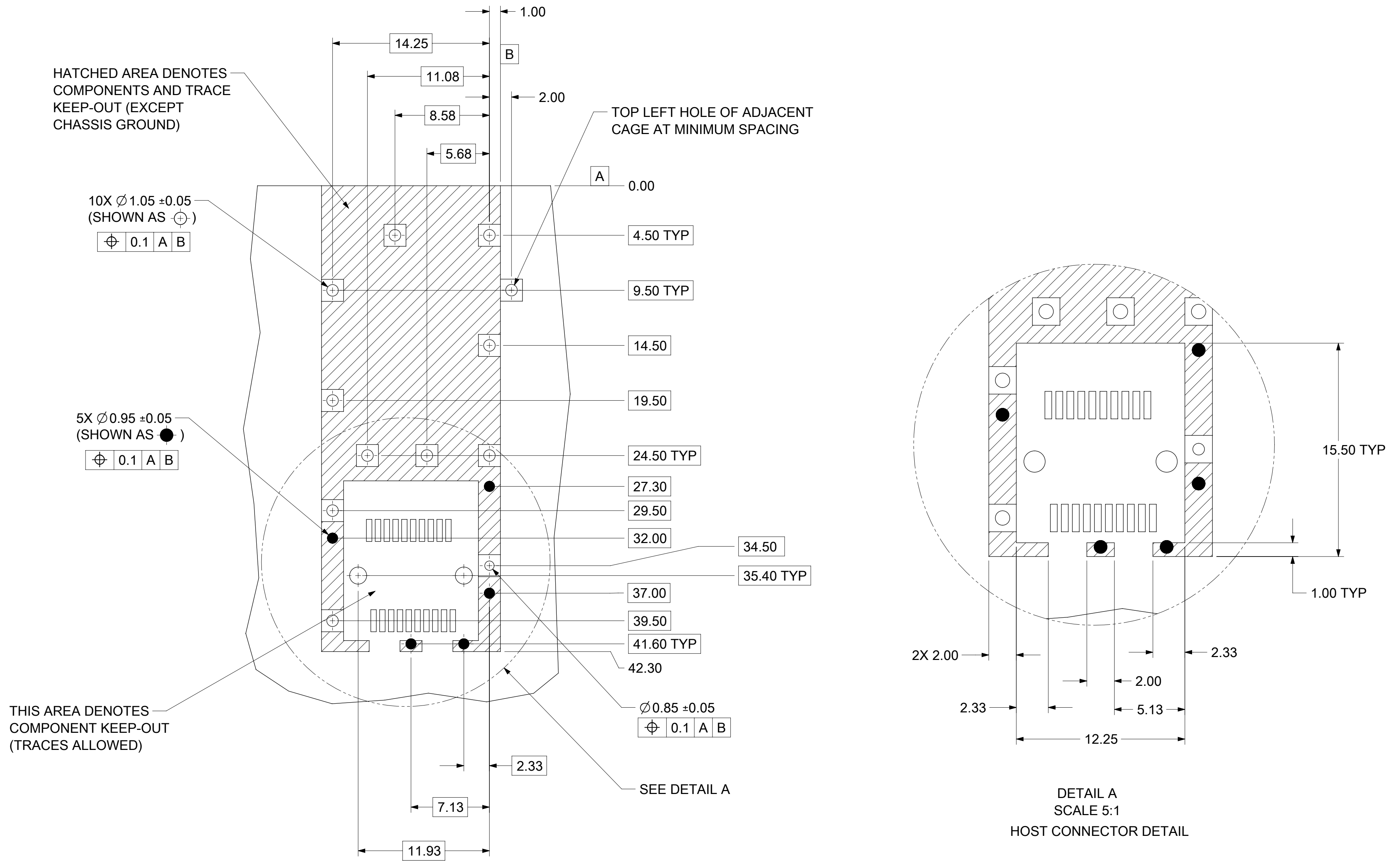
- MATERIAL:  
CAGE: 0.25mm THICK COPPER ALLOY, NICKEL PLATED  
SPRING FINGER: STAINLESS STEEL
- PRESS FIT LEGS 2.28mm LONG:  
1.57 MINIMUM PCB THICKNESS FOR SINGLE SIDED USE  
3.00 MINIMUM PCB THICKNESS FOR BELLY TO BELLY USE
- OPTIONAL LIGHT PIPE ASSEMBLY AVAILABLE
- PORTS ARE DESIGNED FOR SFP+ TRANSCEIVERS AND ARE COMPATIBLE WITH SFP TRANSCEIVERS
- NO RoHS EXEMPTIONS.

WEEK/YEAR DATE CODE TABLE	
WK	01 THRU 52 OR 53 EXAMPLE: 01 = FIRST WEEK OF YEAR 52 = LAST WEEK OF YEAR
YR	22, 23, 24 ETC. EXAMPLE: YEAR 2022 = 22

FUNCTIONAL SYMBOLS $\nabla_A = 0$ $\nabla_E = 0$ $\nabla_P = 0$	THIS DRAWING CONTAINS INFORMATION THAT IS PROPRIETARY TO MOLEX ELECTRONIC TECHNOLOGIES, LLC AND SHOULD NOT BE USED WITHOUT WRITTEN PERMISSION	CURRENT REV DESC: SEE REVISION TABLE				
	DIMENSION UNITS	SCALE	EC NO: 706897		SFP+ 1X1 CAGE ASY, PRESS FIT, WITH SUS EMI SPRING FINGERS	
	GENERAL TOLERANCES (UNLESS SPECIFIED)	3:1	DRWN: CHETHH2 2022/05/16			
	ANGULAR TOL ± 1.0°		CHK'D: TKUMARKC 2022/05/18			
DIVISIONAL SYMBOLS	4 PLACES ±	APPR: SCHIEN 2022/05/19	PRODUCT CUSTOMER DRAWING			
	3 PLACES ±	INITIAL REVISION:	DOCUMENT NUMBER	DOC TYPE	DOC PART	REVISION
	2 PLACES ± 0.15	DRWN: CHETHH2 2022/05/16	747547102	PSD	ASY	A
	1 PLACE ± 0.25	APPR: SCHIEN 2022/05/19	MATERIAL NUMBER	CUSTOMER	SHEET NUMBER	
	0 PLACES ±	DRAFT WHERE APPLICABLE MUST REMAIN WITHIN DIMENSIONS	747547102		1 OF 6	
		THIRD ANGLE PROJECTION	DRAWING	SERIES		
			C-SIZE	74754		

DOCUMENT STATUS	P1	RELEASE DATE	2022/05/19 07:40:26
-----------------	----	--------------	---------------------

# PCB LAYOUT FOR SINGLE SIDE MOUNT



- NOTES:
1. PADS AND VIAS CONNECT TO CHASSIS GROUND (RECOMMEND PADS TO BE 2.00mm SQUARE)
  2. RECOMMEND THRU HOLE PLATING INCLUDES HASL, OSP, OR IMMERSION (GOLD, SILVER, OR TIN)
  3. CONNECTOR PAD LAYOUT PER SFP+ MSA WILL ACCOMMODATE MOLEX CONNECTOR SERIES 74441 OR EQUIVALENT

FUNCTIONAL SYMBOLS	THIS DRAWING CONTAINS INFORMATION THAT IS PROPRIETARY TO MOLEX ELECTRONIC TECHNOLOGIES, LLC AND SHOULD NOT BE USED WITHOUT WRITTEN PERMISSION		
	DIMENSION UNITS	SCALE	CURRENT REV DESC: SEE REVISION TABLE
$\frac{F}{A} = 0$		4:1	
$\frac{F}{C} = 0$	GENERAL TOLERANCES (UNLESS SPECIFIED)		
	ANGULAR TOL $\pm 1.0^\circ$		
DIVISIONAL SYMBOLS	4 PLACES	$\pm$	EC NO: 706897
	3 PLACES	$\pm$	DRWN: CHETHH2 2022/05/16
	2 PLACES	$\pm 0.15$	CHK'D: TKUMARKC 2022/05/18
	1 PLACE	$\pm 0.25$	APPR: SCHIEN 2022/05/19
0 PLACES	$\pm$	INITIAL REVISION:	
DRAFT WHERE APPLICABLE MUST REMAIN WITHIN DIMENSIONS	THIRD ANGLE PROJECTION	DRAWING	SERIES
		C-SIZE	74754
DOCUMENT STATUS		DOC TYPE	DOC PART
P1	PSD	ASY	A
RELEASE DATE	DOCUMENT NUMBER	CUSTOMER	SHEET NUMBER
2022/05/19 07:40:26	747547102		2 OF 6

**molex**

SFP+ 1X1 CAGE ASY, PRESS FIT, WITH SUS EMI SPRING FINGERS

PRODUCT CUSTOMER DRAWING

747547102

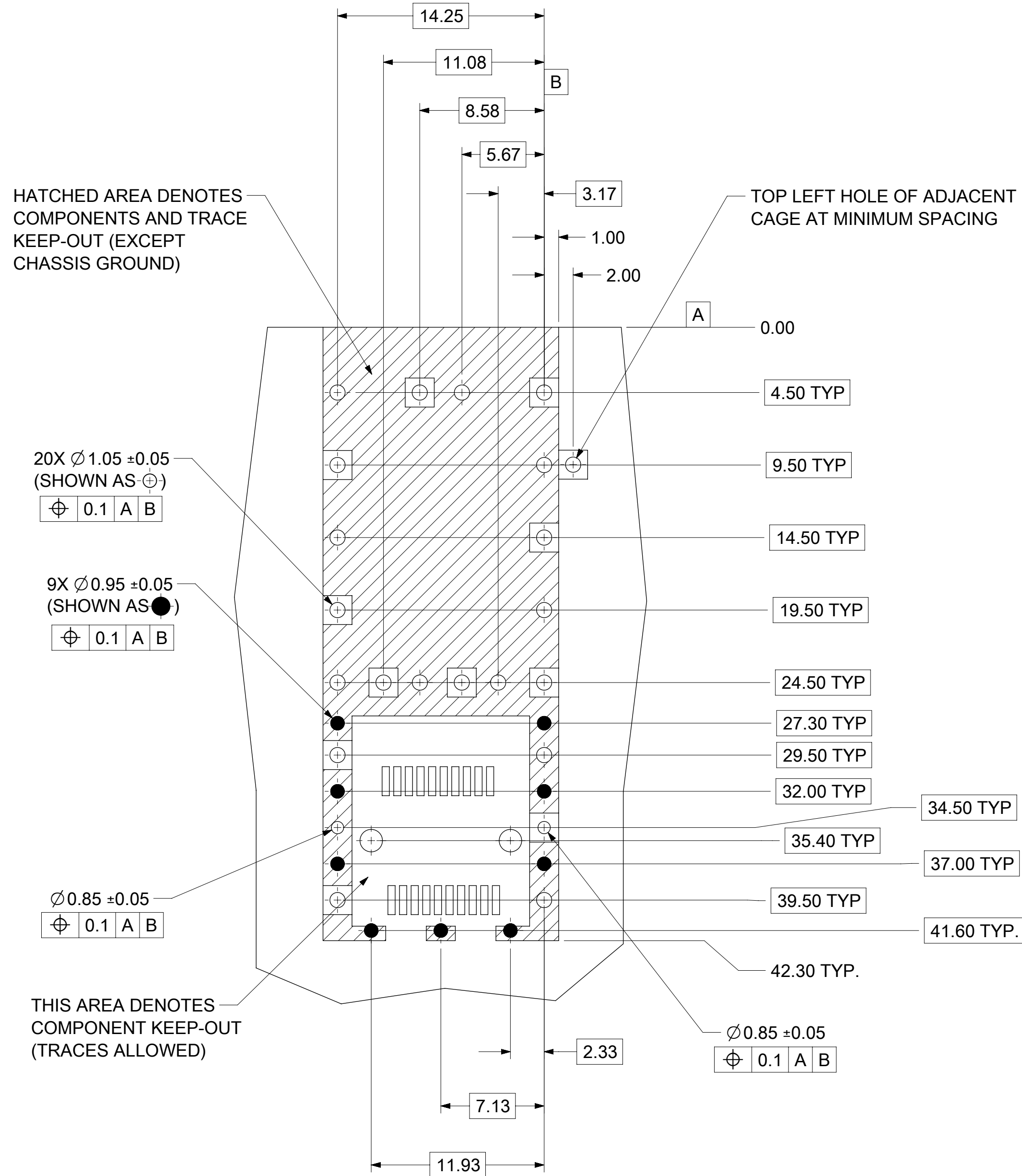
PSD ASY A

747547102

2 OF 6

DOCUMENT STATUS P1 RELEASE DATE 2022/05/19 07:40:26

# PCB LAYOUT FOR BELLY TO BELLY MOUNTING



**NOTE:**  
SEE SHEET 2 FOR  
HOST CONNECTOR DETAIL

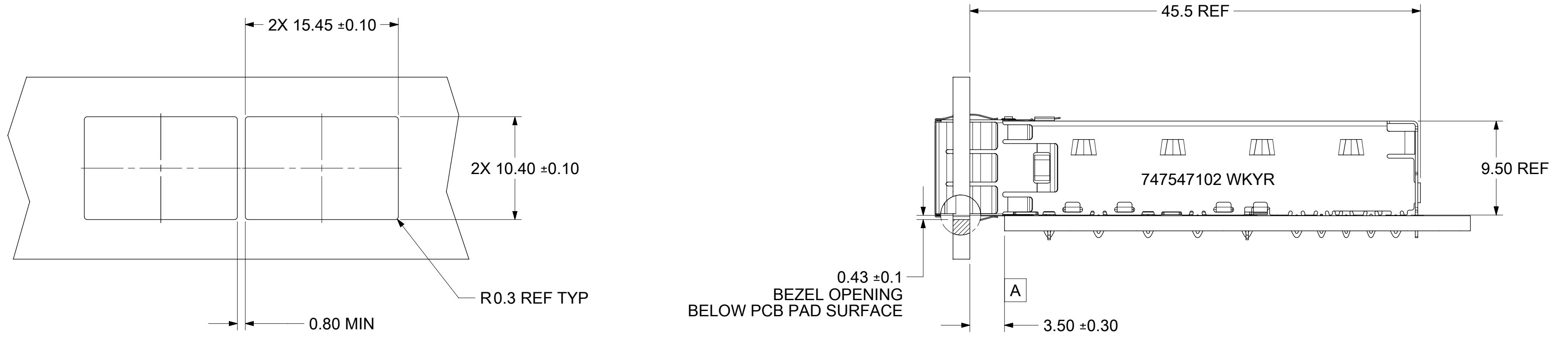
**NOTES:**

1. PADS AND VIAS CONNECT TO CHASSIS GROUND (RECOMMEND PADS TO BE 2.00mm SQUARE)
2. RECOMMENDED THRU HOLE PLATING INCLUDES HASL, OSP, OR IMMERSION (GOLD, SILVER, OR TIN).
3. CONNECTOR PAD LAYOUT PER SFP+ MSA WILL ACCOMMODATE MOLEX CONNECTOR SERIES 74441 OR EQUIVALENT.

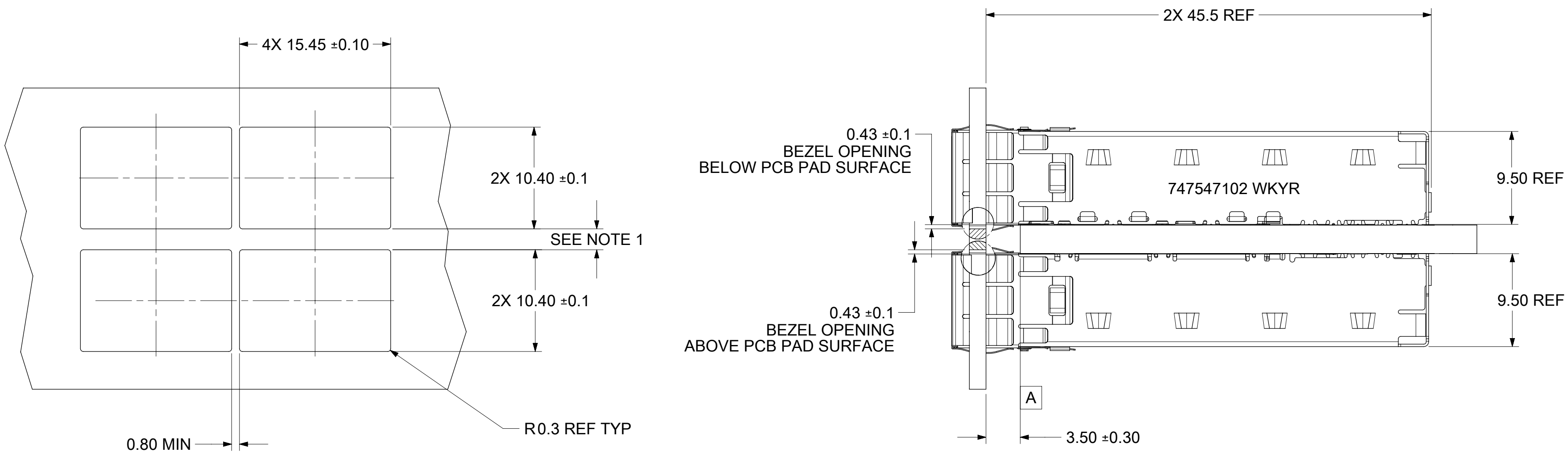
FUNCTIONAL SYMBOLS	THIS DRAWING CONTAINS INFORMATION THAT IS PROPRIETARY TO MOLEX ELECTRONIC TECHNOLOGIES, LLC AND SHOULD NOT BE USED WITHOUT WRITTEN PERMISSION						
	DIMENSION UNITS	SCALE	CURRENT REV DESC: SEE REVISION TABLE				
$\frac{F}{A} = 0$		4:1	<p><b>molex</b></p> <p>SFP+ 1X1 CAGE ASY, PRESS FIT, WITH SUS EMI SPRING FINGERS</p>				
$\frac{F}{C} = 0$	GENERAL TOLERANCES (UNLESS SPECIFIED)						
$\frac{F}{P} = 0$	ANGULAR TOL ± 1.0°		EC NO: 706897				
DIVISIONAL SYMBOLS	4 PLACES	±	DRWN: CHETHH2 2022/05/16				
	3 PLACES	±	CHK'D: TKUMARKC 2022/05/18				
	2 PLACES	± 0.15	APPR: SCHIEN 2022/05/19				
	1 PLACE	± 0.25	INITIAL REVISION:				
0 PLACES	±		DRWN: CHETHH2 2022/05/16				
DRAFT WHERE APPLICABLE MUST REMAIN WITHIN DIMENSIONS		THIRD ANGLE PROJECTION	DRAWING	SERIES	MATERIAL NUMBER	CUSTOMER	SHEET NUMBER
			C-SIZE	74754	747547102		3 OF 6

DOCUMENT NUMBER	DOC TYPE	DOC PART	REVISION
747547102	PSD	ASY	A

## BEZEL AND BOARD POSITION DIMENSIONS FOR SINGLE SIDE MOUNTING (CAGE WITH SPRING FINGER)

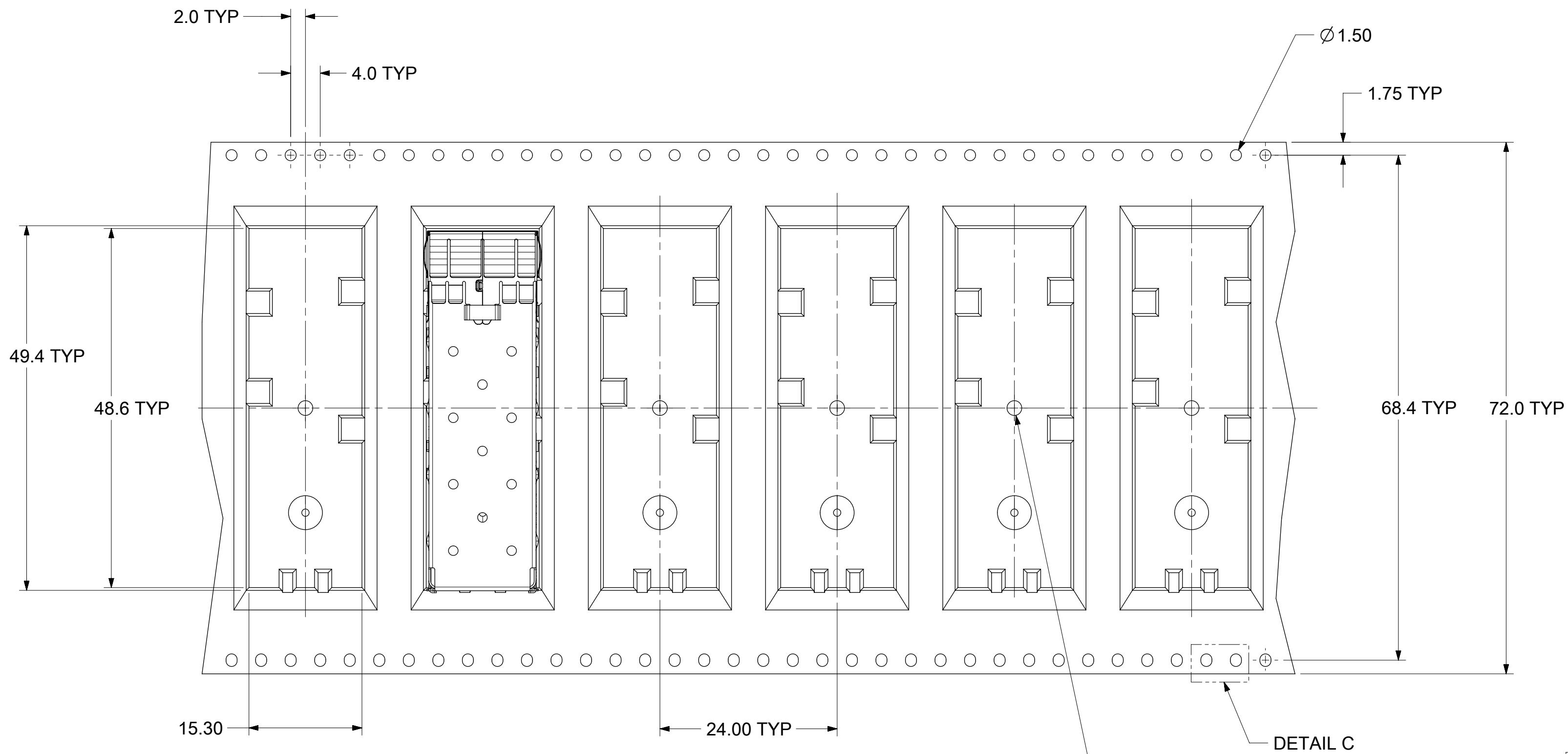


## BEZEL AND BOARD POSITION DIMENSIONS FOR BELLY TO BELLY MOUNTING (CAGE WITH SPRING FINGER)

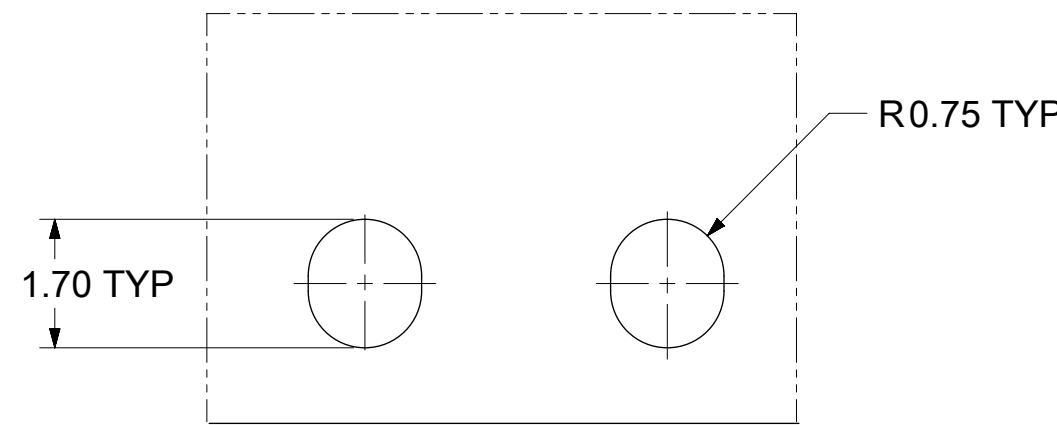


**NOTES:**  
1. PCB THICKNESS VARIATION MUST BE CONSIDERED WHEN DETERMINING BEZEL OPENING SIZE AND LOCATION

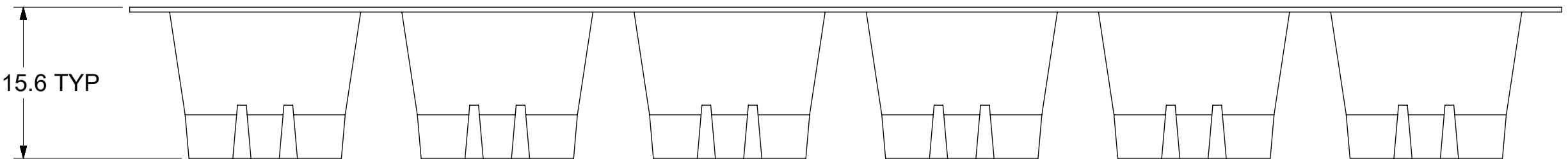
<b>FUNCTIONAL SYMBOLS</b>	THIS DRAWING CONTAINS INFORMATION THAT IS PROPRIETARY TO MOLEX ELECTRONIC TECHNOLOGIES, LLC AND SHOULD NOT BE USED WITHOUT WRITTEN PERMISSION										
$\nabla_A = 0$	DIMENSION UNITS	SCALE	CURRENT REV DESC: SEE REVISION TABLE							<b>molex</b>	
$\nabla_C = 0$		3:1									
$\nabla_P = 0$	GENERAL TOLERANCES (UNLESS SPECIFIED)									SFP+ 1X1 CAGE ASY, PRESS FIT, WITH SUS EMI SPRING FINGERS	
	ANGULAR TOL $\pm 1.0^\circ$										
<b>DIVISIONAL SYMBOLS</b>			4 PLACES $\pm$		EC NO: 706897		2022/05/16		PRODUCT CUSTOMER DRAWING		
			3 PLACES $\pm$		DRWN: CHETHH2		2022/05/18				
			2 PLACES $\pm 0.15$		CHK'D: TKUMARKC		2022/05/19		DOCUMENT NUMBER <b>747547102</b>		
			1 PLACE $\pm 0.25$		APPR: SCHIEN		2022/05/19				DOC TYPE PSD ASY A
			0 PLACES $\pm$		INITIAL REVISION:				DOC PART A		
			DRAFT WHERE APPLICABLE MUST REMAIN WITHIN DIMENSIONS		DRWN: CHETHH2		2022/05/16				SHEET NUMBER 4 OF 6
					APPR: SCHIEN		2022/05/19				
			THIRD ANGLE PROJECTION		DRAWING		SERIES		MATERIAL NUMBER 747547102		
					C-SIZE		74754				



TAP FEED DIRECTION →

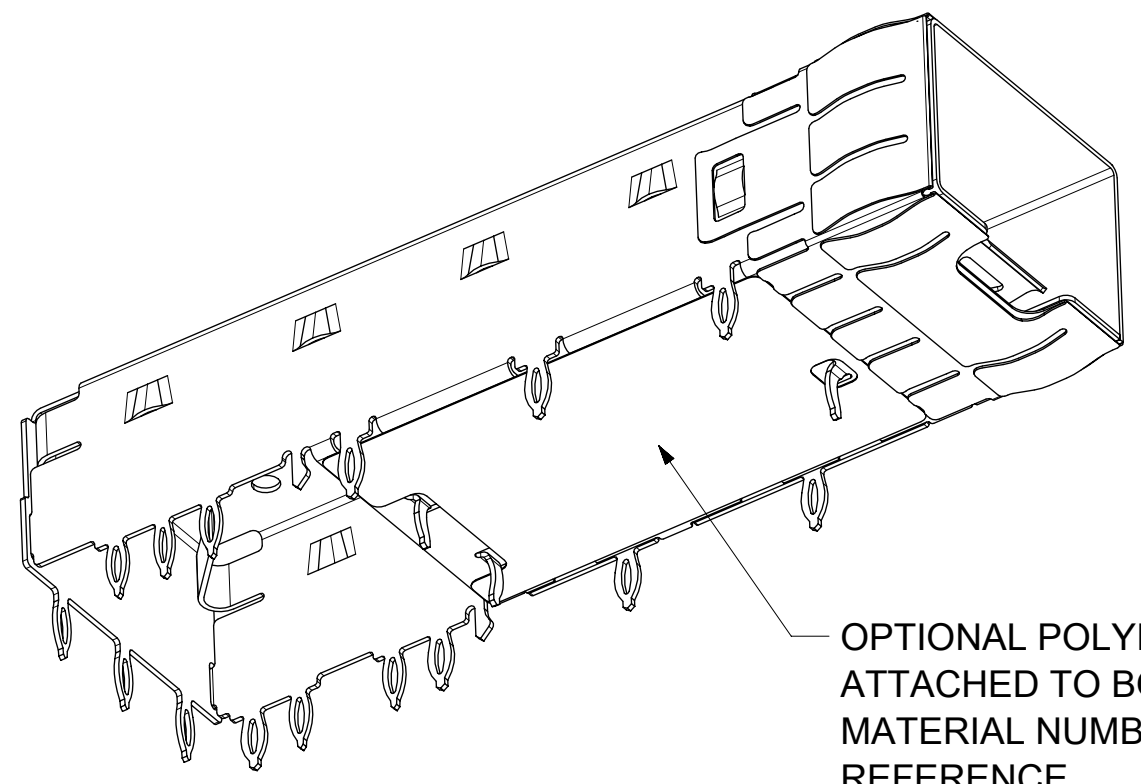
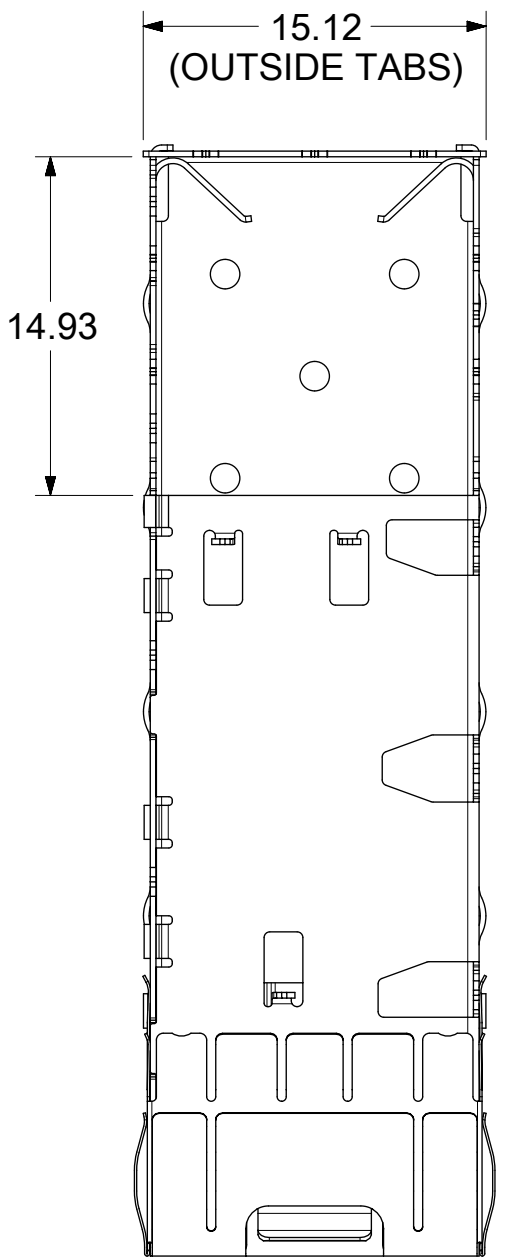
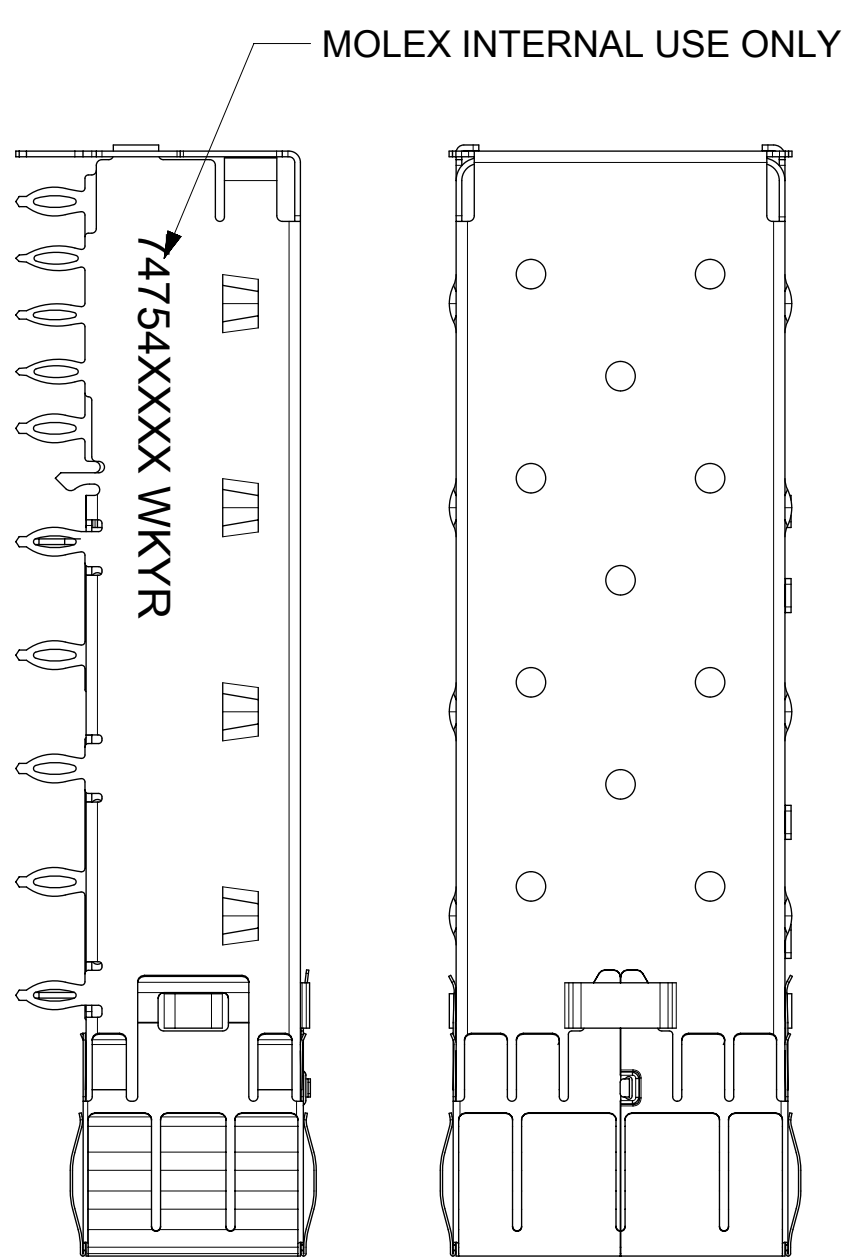


DETAIL C  
SCALE 10:1

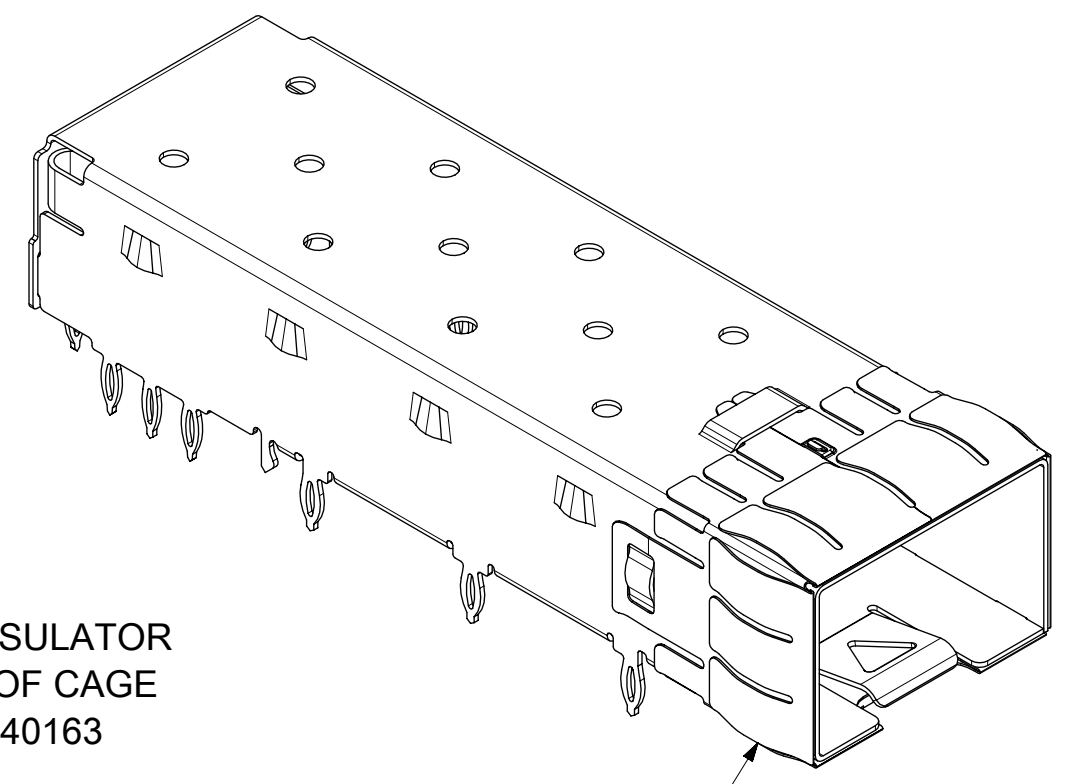


<b>FUNCTIONAL SYMBOLS</b> $\frac{F}{A} = 0$ $\frac{F}{C} = 0$ $\frac{F}{P} = 0$	THIS DRAWING CONTAINS INFORMATION THAT IS PROPRIETARY TO MOLEX ELECTRONIC TECHNOLOGIES, LLC AND SHOULD NOT BE USED WITHOUT WRITTEN PERMISSION		CURRENT REV DESC: SEE REVISION TABLE					
	DIMENSION UNITS	SCALE	<b>molex</b> SFP+ 1X1 CAGE ASY, PRESS FIT, WITH SUS EMI SPRING FINGERS					
		2:1						
	GENERAL TOLERANCES (UNLESS SPECIFIED)		EC NO: 706897 DRWN: CHETHH2 2022/05/16 CHK'D: TKUMARKC 2022/05/18 APPR: SCHIEN 2022/05/19					
ANGULAR TOL ± 1.0°		PRODUCT CUSTOMER DRAWING						
<b>DIVISIONAL SYMBOLS</b> 4 PLACES ± 3 PLACES ± 2 PLACES ± 0.15 1 PLACE ± 0.25 0 PLACES ±	DRAFT WHERE APPLICABLE MUST REMAIN WITHIN DIMENSIONS		INITIAL REVISION: DRWN: CHETHH2 2022/05/16 APPR: SCHIEN 2022/05/19	DOCUMENT NUMBER	DOC TYPE	DOC PART	REVISION	
			THIRD ANGLE PROJECTION	DRAWING	SERIES	MATERIAL NUMBER	CUSTOMER	SHEET NUMBER
				C-SIZE	74754	747547102		PSD ASY A
								5 OF 6



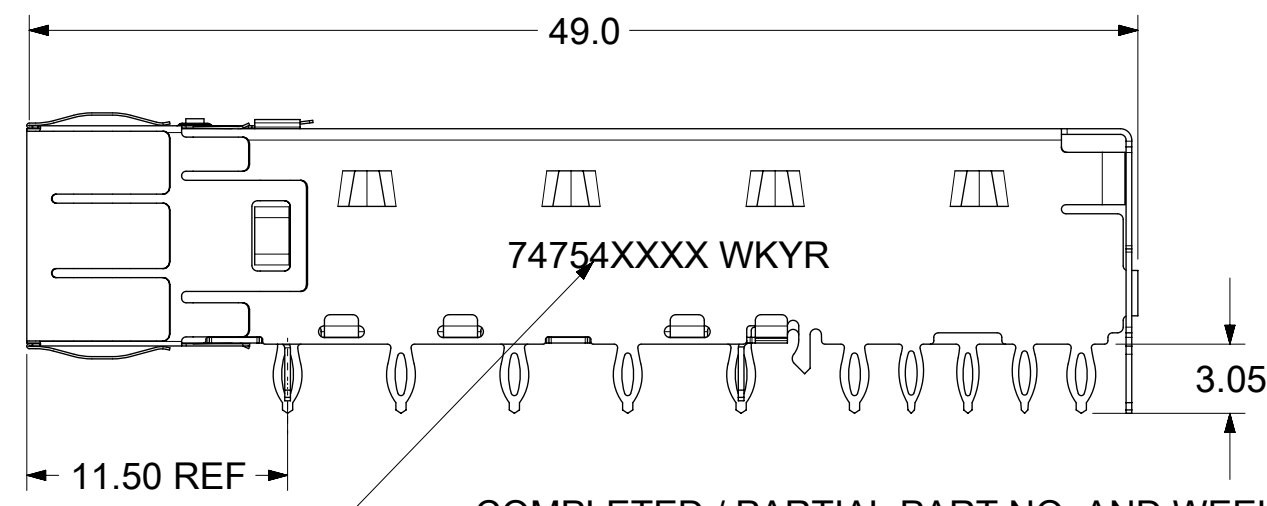
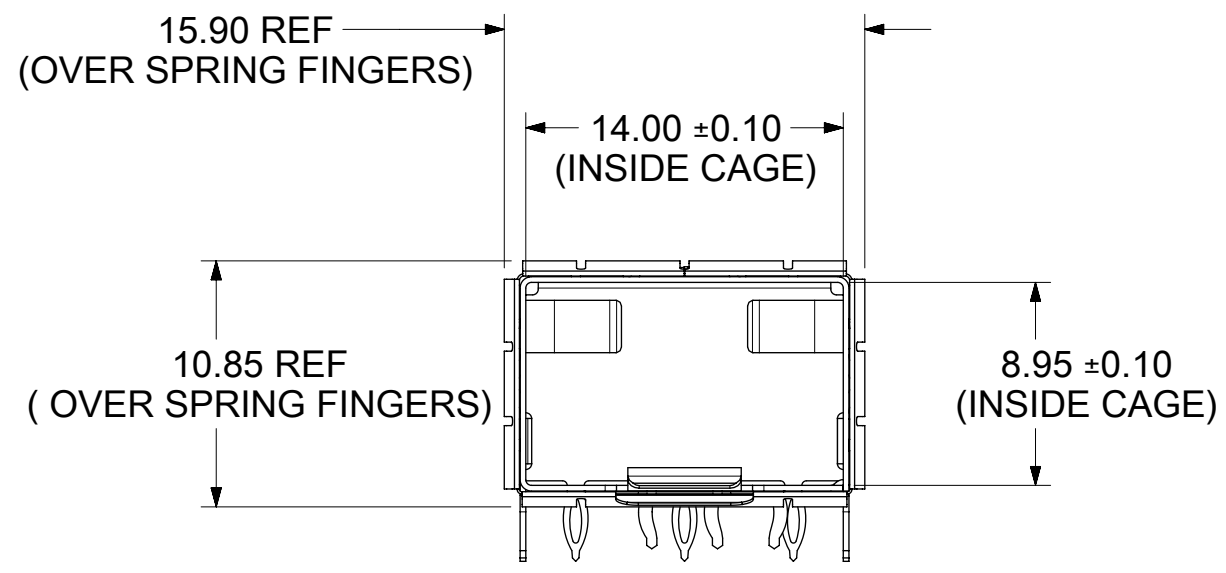


OPTIONAL POLYIMIDE INSULATOR ATTACHED TO BOTTOM OF CAGE MATERIAL NUMBER 747540163 REFERENCE



EMI SPRING FINGER

SFP+ 1X1 CAGE			
PART NO.	WELD POINT QUANTITY	PACKAGING	PLATING
747548101	0	TRAY	NICKEL
747548108	6	TRAY	NICKEL
747548109	0	TAPE & REEL	NICKEL



COMPLETED / PARTIAL PART NO. AND WEEK/YEAR DATE CODE TO BE PRINTED / STAMPED ON THE SIDE OF COMPLETED CAGE ASSEMBLY APPROXIMATELY AS SHOWN.

NOTES:

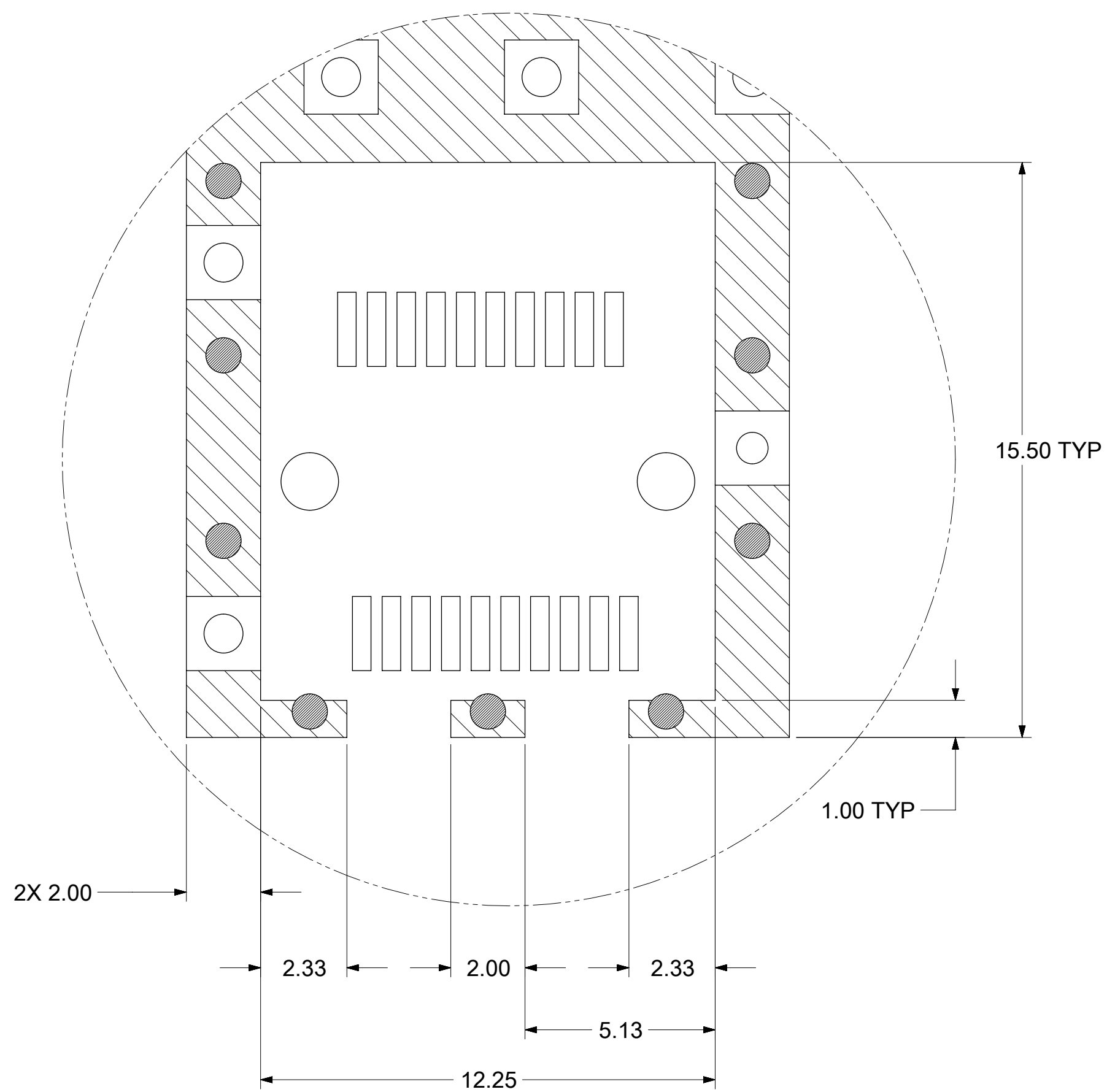
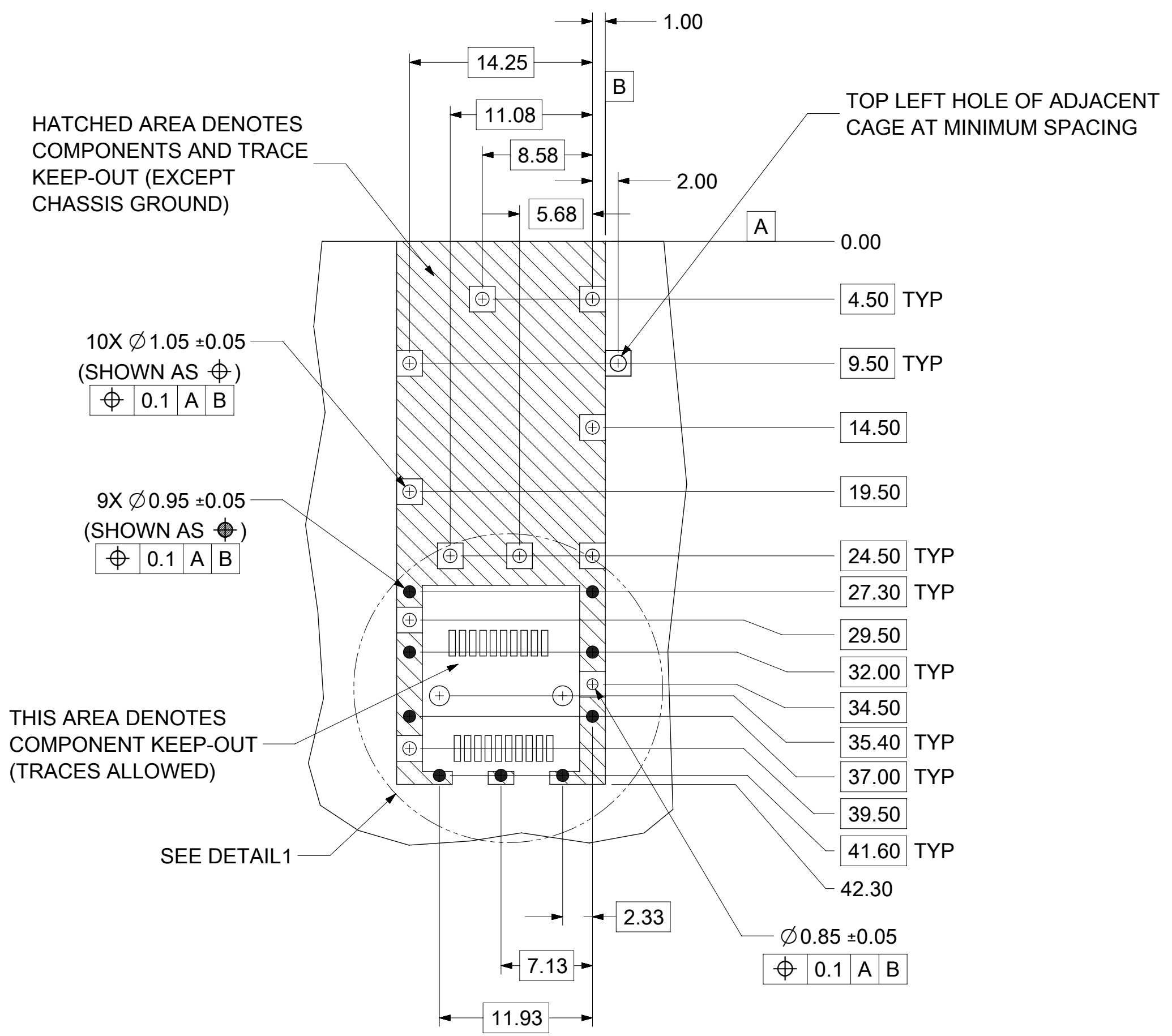
- MATERIAL:  
CAGE: COPPER ALLOY, THICKNESS 0.25mm, PLATING REFER TO TABLE.  
SPRING FINGER: STAINLESS STEEL
- PRESS FIT LEGS 3.05 LONG -  
1.57 MINIMUM PCB THICKNESS FOR SINGLE SIDED USE
- OPTIONAL LIGHT PIPE ASSEMBLY AVAILABLE
- PORTS ARE DESIGNED FOR SFP+ TRANSCEIVERS AND ARE BACKWARDS COMPATIBLE WITH SFP TRANSCEIVERS
- NO RoHS EXEMPTIONS

WEEK/YEAR DATE CODE TABLE	
WK	01 THRU 52 OR 53 EXAMPLE: 01 = FIRST WEEK OF YEAR 52 = LAST WEEK OF YEAR
YR	22, 23, 24 ETC. EXAMPLE: YEAR 2022 = 22

THIS DRAWING CONTAINS INFORMATION THAT IS PROPRIETARY TO MOLEX ELECTRONIC TECHNOLOGIES, LLC AND SHOULD NOT BE USED WITHOUT WRITTEN PERMISSION									
DIMENSION UNITS	SCALE	CURRENT REV DESC:							
mm	3:1								
GENERAL TOLERANCES (UNLESS SPECIFIED)		EC NO: 707665			SFP+ 1X1 CAGE ASSY PRESS FIT TYPE, WITH SUS EMI SPRING FINGERS				
ANGULAR TOL	± 0.5°	DRWN: TKUMARKC 2022/05/31							
4 PLACES	±	CHK'D: TKUMARKC 2022/06/13			PRODUCT CUSTOMER DRAWING				
3 PLACES	±	APPR: SCHIEN 2022/06/16							
2 PLACES	± 0.13	INITIAL REVISION:			DOCUMENT NUMBER				
1 PLACE	± 0.25	DRWN: CHETHH2 2022/05/16							
0 PLACES	±	APPR: SCHIEN 2022/05/19			747548101				
DRAFT WHERE APPLICABLE MUST REMAIN WITHIN DIMENSIONS		THIRD ANGLE PROJECTION	DRAWING	SERIES					
			C-SIZE	74754	SEE P/N TABLE				1 OF 5

DOCUMENT STATUS	P1	RELEASE DATE	2022/06/16 10:32:47
-----------------	----	--------------	---------------------

# PCB LAYOUT FOR SINGLE SIDE MOUNT



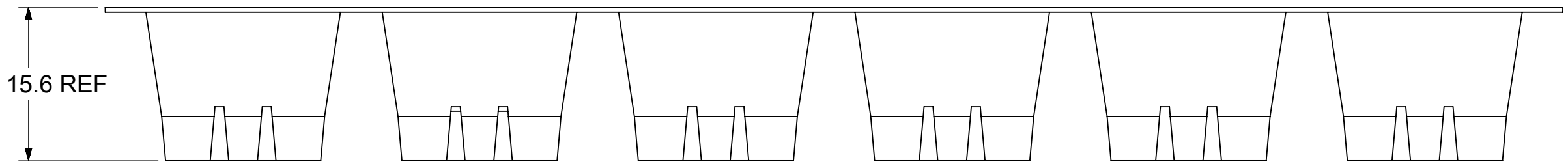
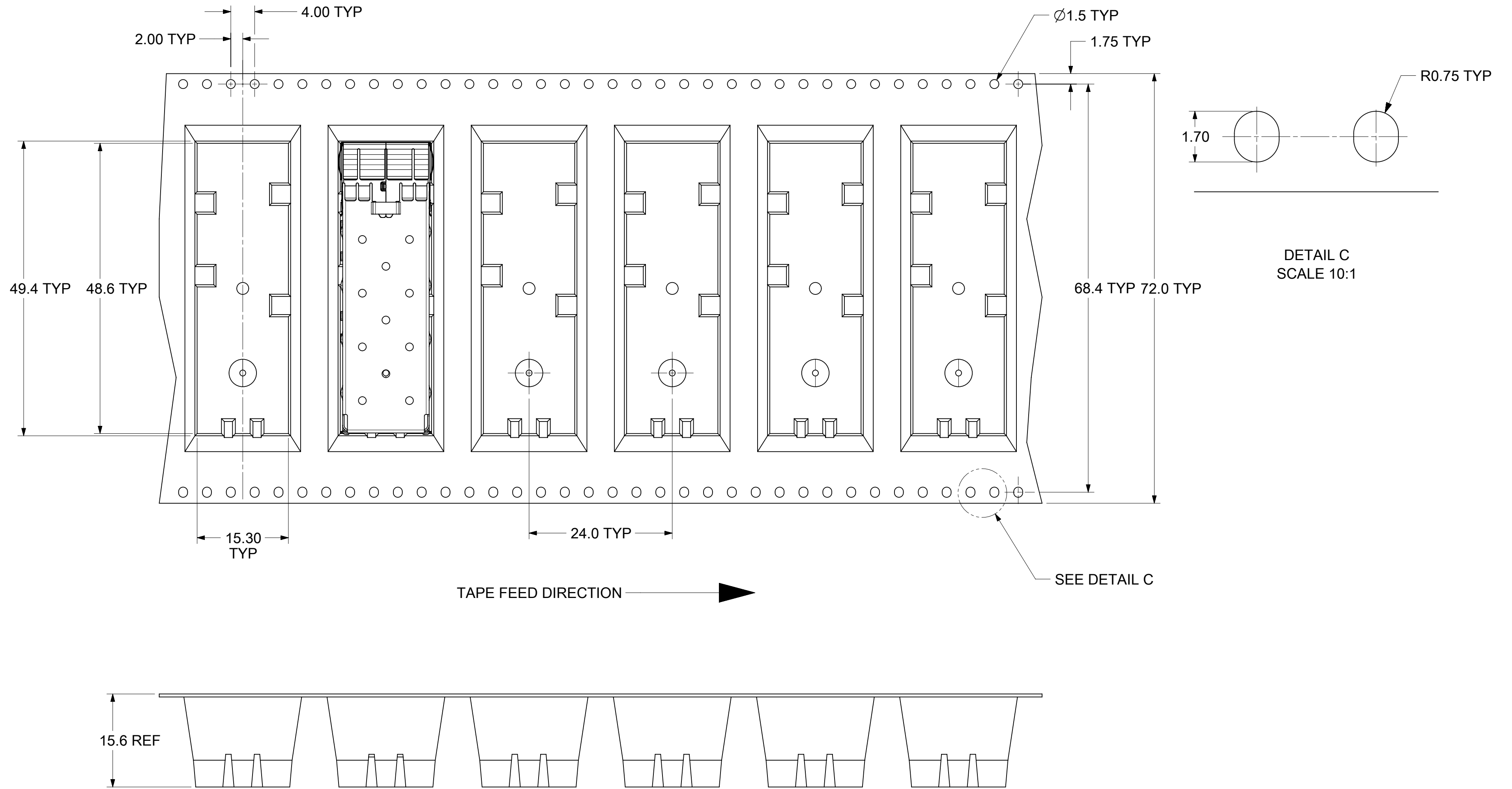
DETAIL 1  
SCALE 8:1  
HOST CONNECTOR DETAIL

- NOTES:
1. PADS AND VIAS CONNECT TO CHASSIS GROUND (RECOMMEND PADS TO BE 2.00mm SQUARE)
  2. RECOMMENDED THRU HOLE PLATING INCLUDES HASL, OSP, OR IMMERSION (GOLD, SILVER, OR TIN).
  3. CONNECTOR PAD LAYOUT PER SFP+ MSA WILL ACCOMMODATE MOLEX CONNECTOR SERIES 74441 OR EQUIVALENT.

THIS DRAWING CONTAINS INFORMATION THAT IS PROPRIETARY TO MOLEX ELECTRONIC TECHNOLOGIES, LLC AND SHOULD NOT BE USED WITHOUT WRITTEN PERMISSION									
DIMENSION UNITS		SCALE		CURRENT REV DESC:				<b>molex</b>	
mm		3:1							
GENERAL TOLERANCES (UNLESS SPECIFIED)				EC NO: 707665				SFP+ 1X1 CAGE ASSY PRESS FIT TYPE, WITH SUS EMI SPRING FINGERS	
ANGULAR TOL ± 0.5°				DRWN: TKUMARKC 2022/05/31					
4 PLACES ±				CHK'D: TKUMARKC 2022/06/13				PRODUCT CUSTOMER DRAWING	
3 PLACES ±				APPR: SCHIEN 2022/06/16					
2 PLACES ± 0.13				INITIAL REVISION:				DOCUMENT NUMBER	
1 PLACE ± 0.25				DRWN: CHETHH2 2022/05/16					
0 PLACES ±				APPR: SCHIEN 2022/05/19				747548101	
DRAFT WHERE APPLICABLE MUST REMAIN WITHIN DIMENSIONS		THIRD ANGLE PROJECTION		DRAWING		SERIES		MATERIAL NUMBER	
		C-SIZE		74754		SEE P/N TABLE		CUSTOMER	
								SHEET NUMBER	
								2 OF 5	



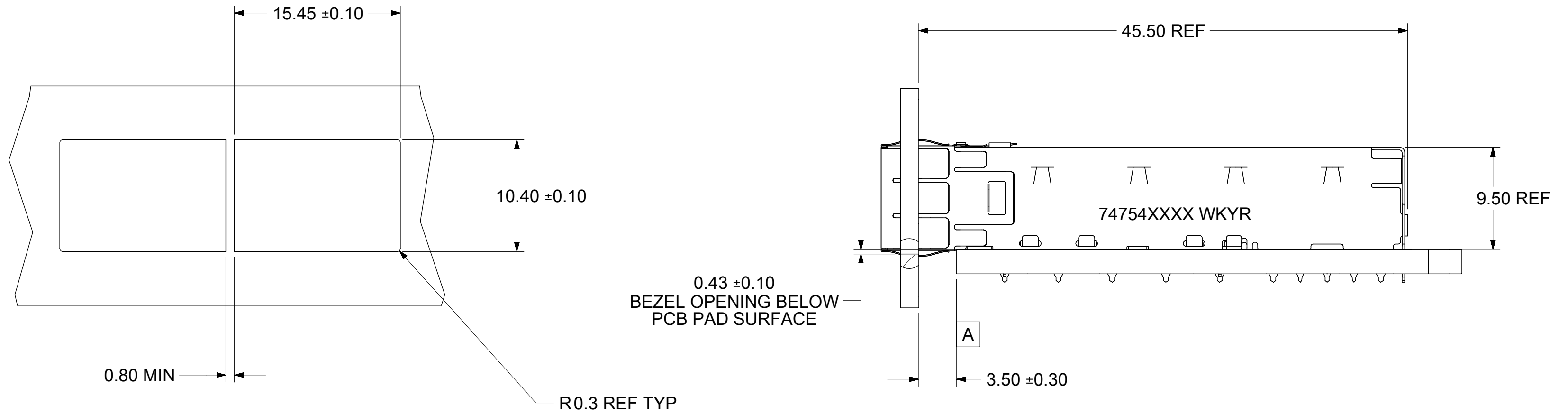
# APPLIES FOR 747548109



THIS DRAWING CONTAINS INFORMATION THAT IS PROPRIETARY TO MOLEX ELECTRONIC TECHNOLOGIES, LLC AND SHOULD NOT BE USED WITHOUT WRITTEN PERMISSION									
DIMENSION UNITS		SCALE		CURRENT REV DESC:					
mm		2:1							
GENERAL TOLERANCES (UNLESS SPECIFIED)				EC NO: 707665				SFP+ 1X1 CAGE ASSY PRESS FIT TYPE, WITH SUS EMI SPRING FINGERS  PRODUCT CUSTOMER DRAWING	
ANGULAR TOL ± 0.5°				DRWN: TKUMARKC 2022/05/31					
4 PLACES ±				CHK'D: TKUMARKC 2022/06/13				DOCUMENT NUMBER <b>747548101</b>	
3 PLACES ±				APPR: SCHIEN 2022/06/16					
2 PLACES ± 0.13				INITIAL REVISION:				DOC TYPE DOC PART REVISION PSD ASY B	
1 PLACE ± 0.25				DRWN: CHETHH2 2022/05/16					
0 PLACES ±				APPR: SCHIEN 2022/05/19				MATERIAL NUMBER CUSTOMER SHEET NUMBER SEE P/N TABLE 3 OF 5	
DRAFT WHERE APPLICABLE MUST REMAIN WITHIN DIMENSIONS				THIRD ANGLE PROJECTION		DRAWING C-SIZE			

DOCUMENT STATUS	P1	RELEASE DATE	2022/06/16 10:32:47
-----------------	----	--------------	---------------------

# BEZEL AND BOARD POSITION DIMENSIONS FOR SINGLE SIDE MOUNTING (SPRING FINGER)



THIS DRAWING CONTAINS INFORMATION THAT IS PROPRIETARY TO MOLEX ELECTRONIC TECHNOLOGIES, LLC AND SHOULD NOT BE USED WITHOUT WRITTEN PERMISSION										
DIMENSION UNITS	SCALE	CURRENT REV DESC:				molex				
mm	3:1					SFP+ 1X1 CAGE ASSY PRESS FIT TYPE, WITH SUS EMI SPRING FINGERS				
GENERAL TOLERANCES (UNLESS SPECIFIED)						PRODUCT CUSTOMER DRAWING				
ANGULAR TOL	± 0.5°	EC NO: 707665								
4 PLACES	±	DRWN: TKUMARKC		2022/05/31						
3 PLACES	±	CHK'D: TKUMARKC		2022/06/13						
2 PLACES	± 0.13	APPR: SCHIEN		2022/06/16						
1 PLACE	± 0.25	INITIAL REVISION:								
0 PLACES	±	DRWN: CHETHH2		2022/05/16		DOCUMENT NUMBER		DOC TYPE	DOC PART	REVISION
		APPR: SCHIEN		2022/05/19		747548101		PSD	ASY	B
DRAFT WHERE APPLICABLE MUST REMAIN WITHIN DIMENSIONS		THIRD ANGLE PROJECTION		DRAWING	SERIES	MATERIAL NUMBER	CUSTOMER		SHEET NUMBER	
				C-SIZE	74754	SEE P/N TABLE			4 OF 5	

DOCUMENT STATUS	P1	RELEASE DATE	2022/06/16	10:32:47
-----------------	----	--------------	------------	----------

