

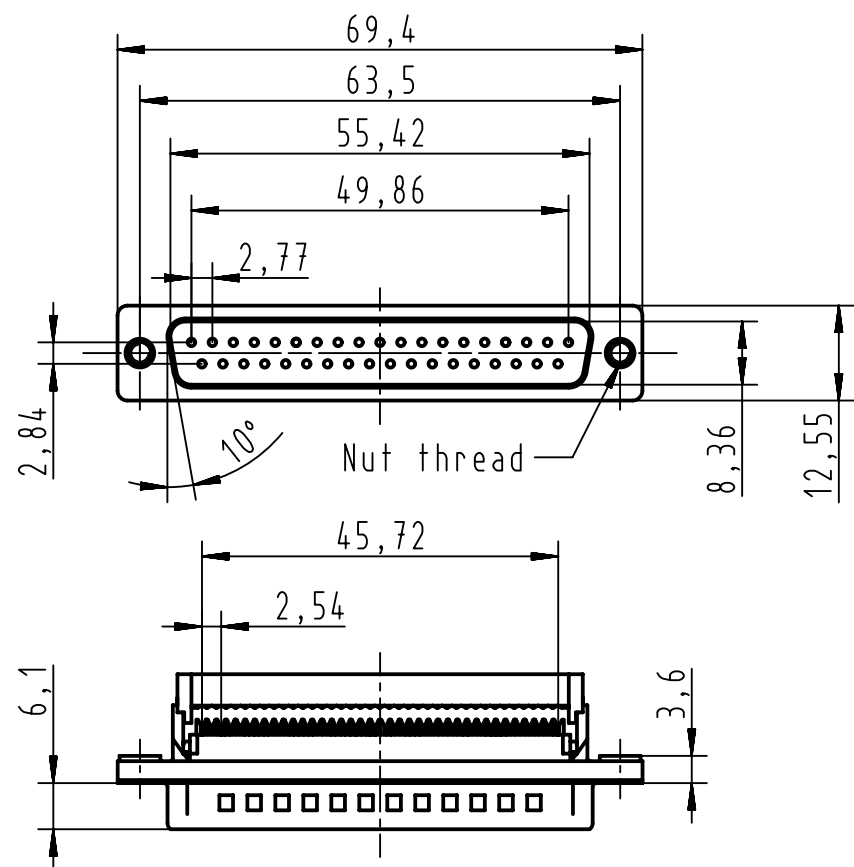
1 2 3 4 5 6

A

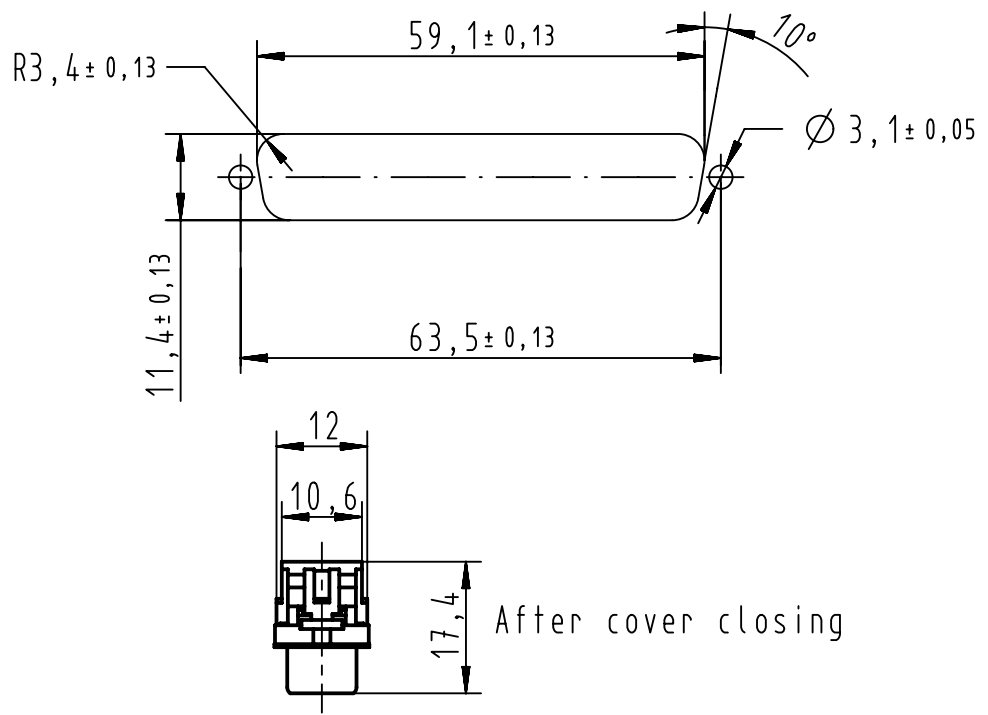
B

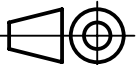

C

D



Recommended panel cutout dimensions
for rear mounting
According to CECC 75 301-802



09664287702	PL3	4-40UNC	 All Dimensions in mm Original Size DIN A4	Scale 1:1	Free size tol.			Ref.	
09664286702	PL2	4-40UNC		 All rights reserved Department EC PD - FR	Created by DOUGE	Inspected by BAGDIKIAN	Standardisation HOFFMANN	Date 2013-04-23	State Final Release
09664287701	PL3	M3	HARTING Electronics GmbH D-32339 Espelkamp		Title D-Sub IDC 37P male straight			Doc-Key / ECM-Nr. 100527236/UGD/001/A 5300000858839	
09664286701	PL2	M3		Type TB	Number 0966428X70X			Rev. A	Page 1/1
Part number	Performance level	Nut thread							