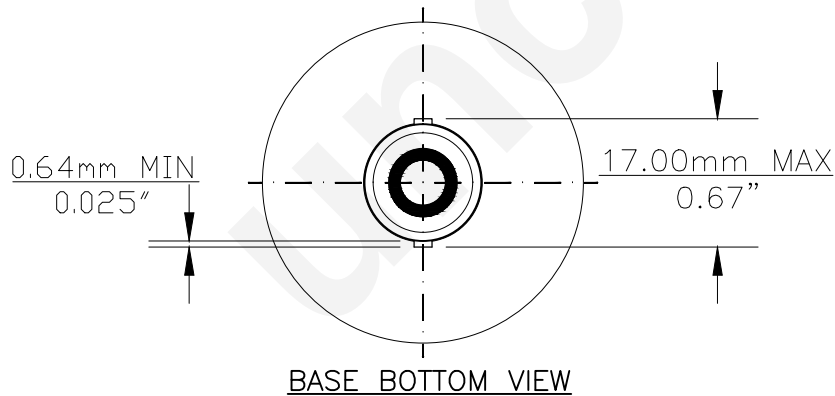
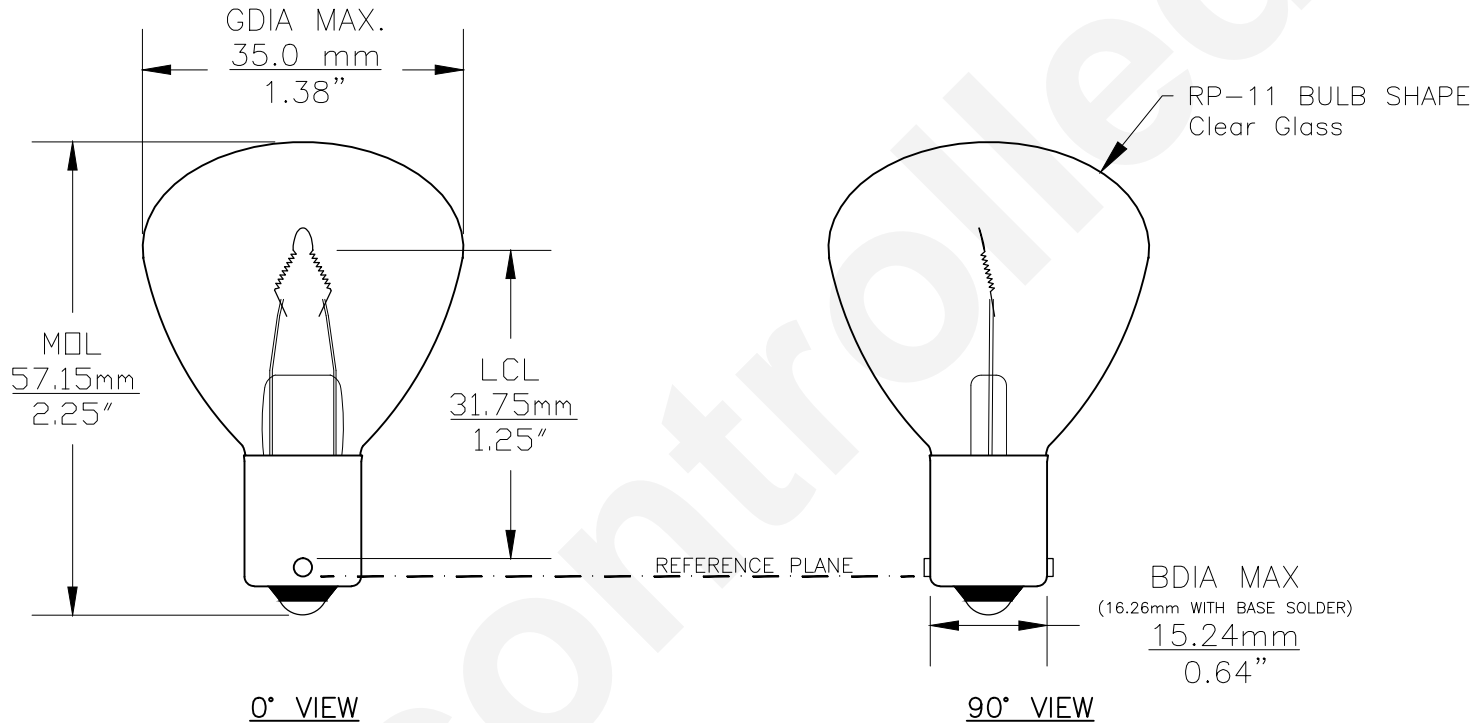




PART NO.	BASE TYPE	DESIGN VOLTS	DESIGN AMPS	MSCD	FILAMENT TYPE	AVERAGE LIFE HOURS	REVISIONS			
							REV #	DESCRIPTION	DATE	APPROVED
1195	S.C. Bayonet (BA15s)	12.5V	3.0±15%	50 ±20%	C-2V	300	1	ISSUED	10/12/2002	A.S.
							2	BASE REDRAWN, ADDITIONAL SPECS	03/11/2011	D.C.
							3	REDRAWN FOR ADDITIONAL VIEWS	11/04/2014	R.M.



Note: Made according to SAE specifications



UNLESS OTHERWISE SPECIFIED: DIMENSIONS ARE IN INCHES TOLERANCES		CEC INDUSTRIES LTD			
DECIMALS	ANGULAR	699 BOND STREET		LINCOLNSHIRE, IL 60069	
.XX ± .05	± 0.5°	TITLE LIGHT BULB NO. 1195			
.XXX ± .010		SIZE A	FSCM NO.	DWG NO. 1195	REV 3
FRACTIONAL ±1/64		DESIGN	SCALE	PLOT SCALE	SHEET 1 OF 1
DRAWN ANNA SOLOVEYCHIK DATE 10/12/2002		MATERIAL FILE 1195.pdf DRAWING NOT TO SCALE			