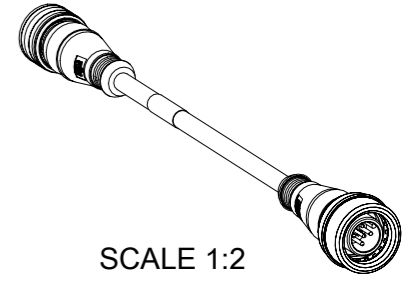
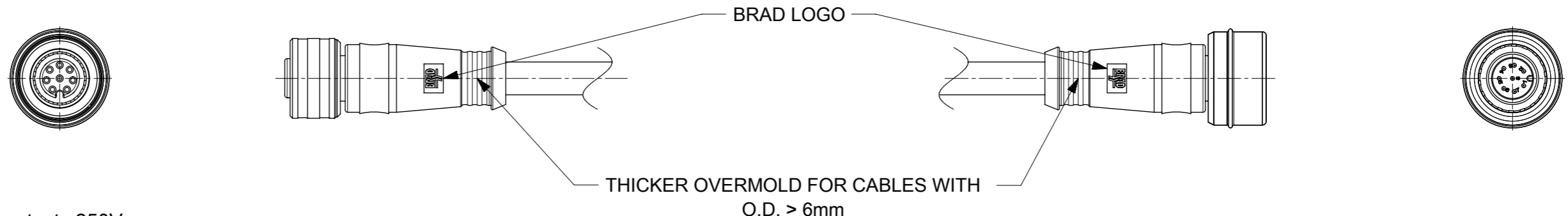
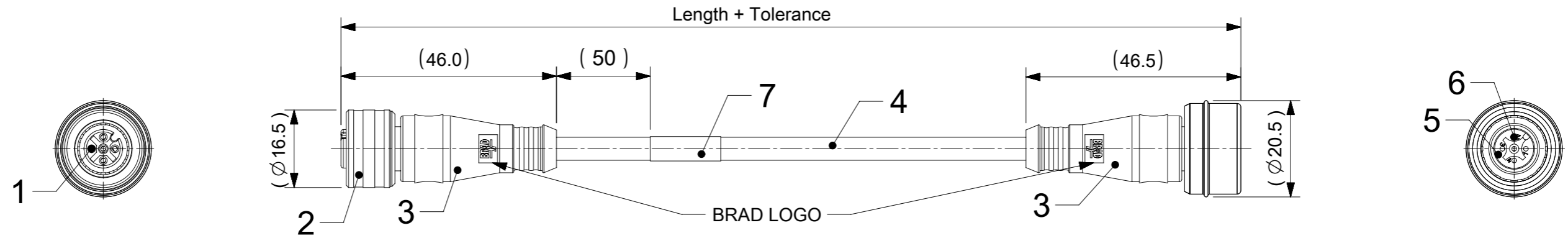


FEMALE PLUG M12U STRAIGHT TO MALE PLUG M12U STRAIGHT



NOTES:

RATED VOLTAGE: 3, 4 contacts 250V
 5 contacts 60V
 8 contacts 30V

RATED CURRENT: 3, 4, 5 contacts 4A
 8 contacts 2A

PROTECTION CLASS: IP 67
 TEMPERATURE: -25°C / +80°C

CONTACTS POSITION FRONT VIEW:

	3 CONTACTS		4 CONTACTS		5 CONTACTS		8 CONTACTS	
FEMALE								
MALE								
CONNECTIONS	PIN	WIRE	PIN	WIRE	PIN	WIRE	PIN	WIRE
	1	BROWN	1	BROWN	1	BROWN	1	WHITE
	2	-	2	WHITE	2	WHITE	2	BROWN
	3	BLUE	3	BLUE	3	BLUE	3	GREEN
	4	BLACK	4	BLACK	4	BLACK	4	YELLOW
					5	GREY OR GREEN/YELLOW	5	GREY
							6	PINK
							7	BLUE
						8	RED	

CODING REQUIRED TO IEC 61076-2-101

FOR OPTIONS SEE - NUMERICAL CODE - ON SHEET 2

7	1	LABEL YELLOW	VINYL	-
6	3 / 4 / 5 / 8	CONTACT MALE	BRASS	SELECTIVE GOLD OVER NICKEL
5	1	PLUG U12 MALE XP	PUR, BRASS	-
4	-	CABLE	SEE SHEET 2	-
3	-	OVERMOULDING BLACK	TPU	-
2	1	PLUG U12 FEMALE XP	PUR, BRASS	-
1	3 / 4 / 5 / 8	CONTACT FEMALE	BRASS	SELECTIVE GOLD OVER NICKEL
ITEM	QTY.	DESCRIPTION	MATERIAL	FINISH

FUNCTIONAL SYMBOLS	THIS DRAWING CONTAINS INFORMATION THAT IS PROPRIETARY TO MOLEX ELECTRONIC TECHNOLOGIES, LLC AND SHOULD NOT BE USED WITHOUT WRITTEN PERMISSION	CURRENT REV DESC: MALE PLUG UPDATED			
$\nabla/A = 0$ $\nabla/E = 0$ $\nabla/E = 0$	DIMENSION UNITS: mm SCALE: 1:1 GENERAL TOLERANCES (UNLESS SPECIFIED) ANGULAR TOL ± 1.0° 4 PLACES ± 3 PLACES ± 2 PLACES ± 0.05 1 PLACE ± 0.3 0 PLACES ± 0.5	EC NO: 695694 DRWN: MDHARMANTI 2022/01/21 CHK'D: RSILLER 2022/02/15 APPR: RSILLER 2022/02/15	EC NO: 695694 DRWN: MDHARMANTI 2022/01/21 CHK'D: RSILLER 2022/02/15 APPR: RSILLER 2022/02/15		
DIVISIONAL SYMBOLS	DRAFT WHERE APPLICABLE MUST REMAIN WITHIN DIMENSIONS	THIRD ANGLE PROJECTION	DRAWING	SERIES	DOCUMENT NUMBER
			A3-SIZE	120080	1200805076
					DOC TYPE DOC PART REVISION
					PSD 000 A
					MATERIAL NUMBER CUSTOMER SHEET NUMBER
					SEE MATRIX GENERAL MARKET 1 OF 3

ENGINEERING NO. - NUMERICAL CODE

OPTIONS

W W X 0 3 0 X X X M X X X X X

W = M12
Ultra-Lock

W = M12
Ultra-Lock

Contacts:
3=3 Contacts
4=4 Contacts
5=5 Contacts
8=8 Contacts

Heads style:
030=Plug Female Straight
to Plug Male Straight

Cable type: See Table

Units:
M=Meter

Length
Examples:
005=0.5m
010=1m
100=10m

Overmold color:
Blank (Standard)=Black
A=Grey / G=Black / Y=Yellow
H=2x ID CARRIER

CABLE INFORMATION

CABLE TYPE	NO. OF WIRES	CROSS SECTION	CABLE JACKET	UL	CSA	STATIC: TEMP. / BENDING RADIUS	DYNAMIC: TEMP. / BENDING RADIUS	DRAG CHAIN	SHIELD
E03	3 / 4 / 5	0.34mm ²	PVC BLACK	UL 2464/1729	C22.2 I/II A/B 80°C/300V	-30°C to +80°C, 10xO.D.	-10°C to +80°C, 15xO.D.	-	-
H08	3 / 4 / 5 / 8	0.25mm ²	PUR BLACK LS0H	UL 21198/10493	C22.2 I/II A/B 80°C/300V	-40°C to +80°C, 5xO.D.	-25°C to +80°C, 10xO.D.	2 000 000 cycles at 20°C, Temp. range +5°C to +60°C	-
H09	3 / 4 / 5	0.34mm ²	PUR BLACK LS0H	UL 21198/10493	C22.2 I/II A/B 80°C/300V	-40°C to +80°C, 5xO.D.	-25°C to +80°C, 10xO.D.	2 000 000 cycles at 20°C, Temp. range +5°C to +60°C	-
P02	3 / 4 / 5 / 8	0.25mm ²	PUR / PVC BLACK	-	-	-30°C to +80°C, 7xO.D.	-5°C to +80°C, 15xO.D.	-	-
P03	3 / 4 / 5	0.34mm ²	PUR / PVC BLACK	-	-	-30°C to +80°C, 7xO.D.	-5°C to +80°C, 15xO.D.	-	-
P82	5	0.34mm ²	PUR / IRR ORANGE	-	-	-50°C to +105°C, 5xO.D.	-40°C to +105°C, 7.5xO.D.	-	-

CABLE LENGTH TOLERANCES


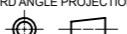
OVER [mm]	UP TO AND INCLUDING [mm]	TOLERANCES [mm]
0	305	+19
305	915	+45
915	1830	+56
1830	3660	+89
3660	7320	+165
7320	14640	+317
14640	30500	+610
30500	>	+2% of finished length

FUNCTIONAL SYMBOLS	THIS DRAWING CONTAINS INFORMATION THAT IS PROPRIETARY TO MOLEX ELECTRONIC TECHNOLOGIES, LLC AND SHOULD NOT BE USED WITHOUT WRITTEN PERMISSION		CURRENT REV DESC: MALE PLUG UPDATED			molex		
	FUNCTIONAL SYMBOLS	THIS DRAWING CONTAINS INFORMATION THAT IS PROPRIETARY TO MOLEX ELECTRONIC TECHNOLOGIES, LLC AND SHOULD NOT BE USED WITHOUT WRITTEN PERMISSION						
	FUNCTIONAL SYMBOLS	THIS DRAWING CONTAINS INFORMATION THAT IS PROPRIETARY TO MOLEX ELECTRONIC TECHNOLOGIES, LLC AND SHOULD NOT BE USED WITHOUT WRITTEN PERMISSION	EC NO: 695694			CSE U12 XP AC STR PUR/PVC MA XP STR XM DE		
	FUNCTIONAL SYMBOLS	THIS DRAWING CONTAINS INFORMATION THAT IS PROPRIETARY TO MOLEX ELECTRONIC TECHNOLOGIES, LLC AND SHOULD NOT BE USED WITHOUT WRITTEN PERMISSION	DRWN: MDHARMANTI 2022/01/21			PRODUCT CUSTOMER DRAWING		
DIVISIONAL SYMBOLS	THIS DRAWING CONTAINS INFORMATION THAT IS PROPRIETARY TO MOLEX ELECTRONIC TECHNOLOGIES, LLC AND SHOULD NOT BE USED WITHOUT WRITTEN PERMISSION	CHK'D: RSILLER 2022/02/15			DOCUMENT NUMBER			
DIVISIONAL SYMBOLS	THIS DRAWING CONTAINS INFORMATION THAT IS PROPRIETARY TO MOLEX ELECTRONIC TECHNOLOGIES, LLC AND SHOULD NOT BE USED WITHOUT WRITTEN PERMISSION	APPR: RSILLER 2022/02/15			1200805076			
DIVISIONAL SYMBOLS	THIS DRAWING CONTAINS INFORMATION THAT IS PROPRIETARY TO MOLEX ELECTRONIC TECHNOLOGIES, LLC AND SHOULD NOT BE USED WITHOUT WRITTEN PERMISSION	INITIAL REVISION:			DOC TYPE DOC PART REVISION			
DIVISIONAL SYMBOLS	THIS DRAWING CONTAINS INFORMATION THAT IS PROPRIETARY TO MOLEX ELECTRONIC TECHNOLOGIES, LLC AND SHOULD NOT BE USED WITHOUT WRITTEN PERMISSION	DRWN: MDHARMANTI 2022/01/21			PSD 000 A			
DIVISIONAL SYMBOLS	THIS DRAWING CONTAINS INFORMATION THAT IS PROPRIETARY TO MOLEX ELECTRONIC TECHNOLOGIES, LLC AND SHOULD NOT BE USED WITHOUT WRITTEN PERMISSION	APPR: RSILLER 2022/02/15			SHEET NUMBER			
DIVISIONAL SYMBOLS	THIS DRAWING CONTAINS INFORMATION THAT IS PROPRIETARY TO MOLEX ELECTRONIC TECHNOLOGIES, LLC AND SHOULD NOT BE USED WITHOUT WRITTEN PERMISSION	DRAFT WHERE APPLICABLE MUST REMAIN WITHIN DIMENSIONS			2 OF 3			
DIVISIONAL SYMBOLS	THIS DRAWING CONTAINS INFORMATION THAT IS PROPRIETARY TO MOLEX ELECTRONIC TECHNOLOGIES, LLC AND SHOULD NOT BE USED WITHOUT WRITTEN PERMISSION	THIRD ANGLE PROJECTION			MATERIAL NUMBER			
DIVISIONAL SYMBOLS	THIS DRAWING CONTAINS INFORMATION THAT IS PROPRIETARY TO MOLEX ELECTRONIC TECHNOLOGIES, LLC AND SHOULD NOT BE USED WITHOUT WRITTEN PERMISSION	DRAWING			CUSTOMER			
DIVISIONAL SYMBOLS	THIS DRAWING CONTAINS INFORMATION THAT IS PROPRIETARY TO MOLEX ELECTRONIC TECHNOLOGIES, LLC AND SHOULD NOT BE USED WITHOUT WRITTEN PERMISSION	A3-SIZE			GENERAL MARKET			
DIVISIONAL SYMBOLS	THIS DRAWING CONTAINS INFORMATION THAT IS PROPRIETARY TO MOLEX ELECTRONIC TECHNOLOGIES, LLC AND SHOULD NOT BE USED WITHOUT WRITTEN PERMISSION	SERIES			SEE MATRIX			
DIVISIONAL SYMBOLS	THIS DRAWING CONTAINS INFORMATION THAT IS PROPRIETARY TO MOLEX ELECTRONIC TECHNOLOGIES, LLC AND SHOULD NOT BE USED WITHOUT WRITTEN PERMISSION	120080			2 OF 3			

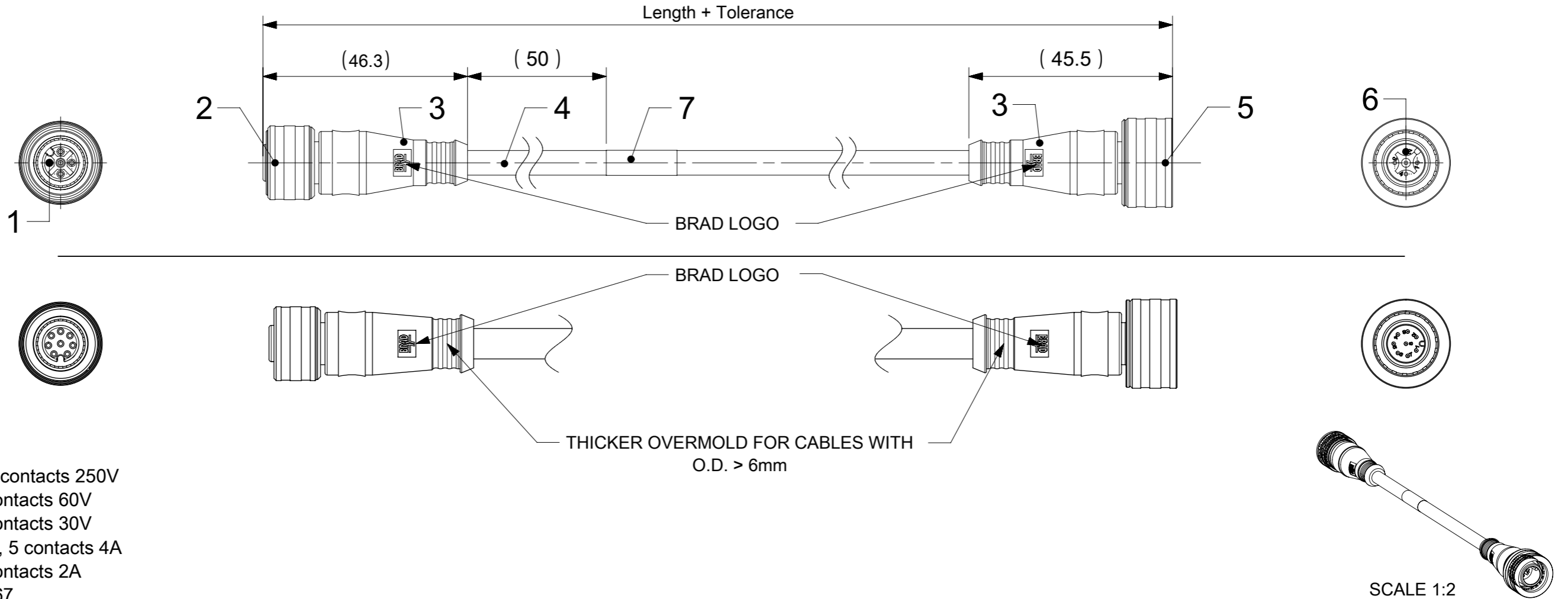
PART LIST

NO.	MOLEX PN	ENGINEERING NO.	LENGTH
1	1200808154	WW5030P82M020	2M
2	1200808155	WW5030P82M030	3M
3	1200808156	WW5030P82M050	5M
4	1200808157	WW5030P82M070	7M
5	1200808158	WW5030P82M100	10M
6	1200210002	WW4030E03M050	5M
7	1200800469	WW4030E03M010	1M
8	1200800470	WW4030E03M020	2M
9	1200805076	WW5030E03M010	1M
10	1200808016	WW5030E03M050	5M
11	1200805018	WW4030P03M020	2M
12	1200805022	WW4030P03M005	0.5M
13	1200805044	WW4030P03M006	0.6M
14	1200805049	WW5030P03M006	0.6M
15	1200805050	WW5030P03M010	1M
16	1200805051	WW5030P03M020	2M
17	1200808115	WW4030P03M018	1.8M
18	1200808133	WW5030P03M100	10M
19	1200805019	WW5030P03M050	5M
20	1200805048	WW4030P03M050	5M
21	1200805052	WW5030P03M030	3M
22	1200805053	WW5030P03M040	4M
23	1200808070	WW5030P03M050A	5M
24	1200808071	WW5030P03M020A	2M
25	1200805083	WW8030P02M010	1M
26	1200805096	WW8030P02M020	2M
27	1200808043	WW5030P02M003G	0.3M
28	1200805097	WW8030P02M050	5M
29	1200808072	WW8030P02M020A	2M
30	1200808073	WW8030P02M050A	5M
31	1200808129	WW8030P02M0208	2M

NO.	MOLEX PN	ENGINEERING NO.	LENGTH
32	1200808026	WW3030H09M010	1M
33	1200808031	WW4030H09M010	1M
34	1200808039	WW5030H09M010	1M
35	1200808107	WW5030H09M020	2M
36	1200808033	WW8030H08M010	1M
37	1200808139	WW8030H08M020	2M
38	1200808140	WW8030H08M050	5M
39	1200798157	WW5030E03M100	10M
40	1200798158	WW8030H08M100	10M
41	1200210001	WW4030E03M100	10M
42	1200808015	WW5030E03M020	2M

FUNCTIONAL SYMBOLS	THIS DRAWING CONTAINS INFORMATION THAT IS PROPRIETARY TO MOLEX ELECTRONIC TECHNOLOGIES, LLC AND SHOULD NOT BE USED WITHOUT WRITTEN PERMISSION		CURRENT REV DESC: MALE PLUG UPDATED						
	$\nabla_A = 0$ $\nabla_B = 0$ $\nabla_C = 0$	DIMENSION UNITS: mm SCALE: 1:1							GENERAL TOLERANCES (UNLESS SPECIFIED) ANGULAR TOL $\pm 1.0^\circ$
DIVISIONAL SYMBOLS	4 PLACES	\pm	EC NO: 695694	2022/01/21		PRODUCT CUSTOMER DRAWING			
	3 PLACES	\pm	DRWN: MDHARMANTI	2022/02/15					
	2 PLACES	± 0.05	CHK'D: RSILLER	2022/02/15		DOCUMENT NUMBER	DOC TYPE	DOC PART	REVISION
	1 PLACE	± 0.3	APPR: RSILLER	2022/02/15		1200805076	PSD	000	A
	0 PLACES	± 0.5	INITIAL REVISION:						
			DRWN: MDHARMANTI	2022/01/21					
			APPR: RSILLER	2022/02/15					
	DRAFT WHERE APPLICABLE MUST REMAIN WITHIN DIMENSIONS		THIRD ANGLE PROJECTION	DRAWING	SERIES	MATERIAL NUMBER	CUSTOMER		SHEET NUMBER
				A3-SIZE	120080	SEE MATRIX	GENERAL MARKET		3 OF 3

FEMALE PLUG M12U STRAIGHT TO MALE PLUG M12U STRAIGHT



NOTES:

- RATED VOLTAGE: 3, 4 contacts 250V
5 contacts 60V
8 contacts 30V
- RATED CURRENT: 3, 4, 5 contacts 4A
8 contacts 2A
- PROTECTION CLASS: IP 67
- TEMPERATURE: -25°C / +80°C

CONTACTS POSITION FRONT VIEW:

	3 CONTACTS		4 CONTACTS		5 CONTACTS		8 CONTACTS	
FEMALE								
MALE								
CONNECTIONS	PIN	WIRE	PIN	WIRE	PIN	WIRE	PIN	WIRE
	1	BROWN	1	BROWN	1	BROWN	1	WHITE
	2	-	2	WHITE	2	WHITE	2	BROWN
	3	BLUE	3	BLUE	3	BLUE	3	GREEN
	4	BLACK	4	BLACK	4	BLACK	4	YELLOW
					5	GREY OR GREEN/YELLOW	5	GREY
							6	PINK
							7	BLUE
						8	RED	

CODING REQUIRED TO IEC 61076-2-101

FOR OPTIONS SEE - NUMERICAL CODE - ON SHEET 2

ITEM	QTY.	DESCRIPTION	MATERIAL	FINISH
7	1	LABEL YELLOW	VINYL	-
6	3 / 4 / 5 / 8	CONTACT MALE	BRASS	SELECTIVE GOLD OVER NICKEL
5	1	PLUG U12 MALE XP	PUR, BRASS	-
4	-	CABLE	SEE SHEET 2	-
3	-	OVERMOLDING BLACK	TPU	-
2	1	PLUG U12 FEMALE XP	PUR, BRASS	-
1	3 / 4 / 5 / 8	CONTACT FEMALE	BRASS	SELECTIVE GOLD OVER NICKEL

QUALITY SYMBOLS FA = 0 FE = 0 FF = 0 GV = 0 CH = 0 CR = 0 CS = 0 CU = 0 CV = 0 CA = 0 CB = 0 CC = 0 CD = 0 CE = 0 CF = 0 CG = 0 CH = 0 CI = 0 CJ = 0 CK = 0 CL = 0 CM = 0 CN = 0 CO = 0 CP = 0 CQ = 0 CR = 0 CS = 0 CT = 0 CU = 0 CV = 0 CW = 0 CX = 0 CY = 0 CZ = 0	THIS DRAWING CONTAINS INFORMATION THAT IS PROPRIETARY TO MOLEX ELECTRONIC TECHNOLOGIES, LLC AND SHOULD NOT BE USED WITHOUT WRITTEN PERMISSION		DIMENSION UNITS: mm SCALE: 1:1				
	EC NO: 178454 DRWN: SSM CHK'D: SSM APPR: RSILLER	2018/06/21 2018/06/27 2018/06/28	GENERAL TOLERANCES (UNLESS SPECIFIED) ANGULAR TOL ± 1.0 ° 4 PLACES ± 3 PLACES ± 2 PLACES ± 0.05 1 PLACE ± 0.3 0 PLACES ± 0.5			DRWN BY: MKOWALCZYK01 DATE: 2017/05/18 CHK'D BY: DATE: APPR BY: MIWASIECZKO DATE: 2017/05/31	M12U-XP-FE-STR-XP-M-STR-XM PRODUCT CUSTOMER DRAWING
	DRAFT WHERE APPLICABLE MUST REMAIN WITHIN DIMENSIONS		DRAWING SIZE: A3 THIRD ANGLE PROJECTION	SERIES: 120080 MATERIAL NUMBER: SEE MATRIX CUSTOMER: GENERAL MARKET			
	A2		DOCUMENT NUMBER: 1200805076 DOC TYPE: PSD DOC PART: 00P SHEET NUMBER: 1 OF 3				

ENGINEERING NO. - NUMERICAL CODE

OPTIONS

W W X 0 3 0 X X X M X X X X X

W = M12
Ultra-Lock

W = M12
Ultra-Lock

Contacts:
3=3 Contacts
4=4 Contacts
5=5 Contacts
8=8 Contacts

Heads style:
030=Plug Female Straight
to Plug Male Straight

Cable type: See Table

Units:
M=Meter

Length
Examples:
005=0.5 unit
010=1 unit
100=10 units

Overmold color:
Blank (Standard)=Black
A=Grey / G=Black / Y=Yellow

H=2x ID CARRIER

CABLE INFORMATION

CABLE TYPE	NO. OF WIRES	CROSS SECTION	CABLE JACKET	UL	CSA	STATIC: TEMP. / BENDING RADIUS	DYNAMIC: TEMP. / BENDING RADIUS	DRAG CHAIN	SHIELD
E03	3 / 4 / 5	0.34mm ²	PVC BLACK	UL 2464/1729	C22.2 I/II A/B 80°C/300V	-30°C to +80°C, 10xO.D.	-10°C to +80°C, 15xO.D.	-	-
H08	3 / 4 / 5 / 8	0.25mm ²	PUR BLACK LS0H	UL 21198/10493	C22.2 I/II A/B 80°C/300V	-40°C to +80°C, 5xO.D.	-25°C to +80°C, 10xO.D.	2 000 000 cycles at 20°C, Temp. range +5°C to +60°C	-
H09	3 / 4 / 5	0.34mm ²	PUR BLACK LS0H	UL 21198/10493	C22.2 I/II A/B 80°C/300V	-40°C to +80°C, 5xO.D.	-25°C to +80°C, 10xO.D.	2 000 000 cycles at 20°C, Temp. range +5°C to +60°C	-
P02	3 / 4 / 5 / 8	0.25mm ²	PUR / PVC BLACK	-	-	-30°C to +80°C, 7xO.D.	-5°C to +80°C, 15xO.D.	-	-
P03	3 / 4 / 5	0.34mm ²	PUR / PVC BLACK	-	-	-30°C to +80°C, 7xO.D.	-5°C to +80°C, 15xO.D.	-	-
P82	5	0.34mm ²	PUR / IRR ORANGE	-	-	-50°C to +105°C, 5xO.D.	-40°C to +105°C, 7.5xO.D.	-	-

CABLE LENGTH TOLERANCES

OVER [mm]	UP TO AND INCLUDING [mm]	TOLERANCES [mm]
0	305	+19
305	915	+45
915	1830	+56
1830	3660	+89
3660	7320	+165
7320	14640	+317
14640	30500	+610
30500	>	+2% of finished length

QUALITY SYMBOLS	THIS DRAWING CONTAINS INFORMATION THAT IS PROPRIETARY TO MOLEX ELECTRONIC TECHNOLOGIES, LLC AND SHOULD NOT BE USED WITHOUT WRITTEN PERMISSION																							
<table style="font-size: 0.8em;"> <tr><td></td><td>= 0</td></tr> <tr><td></td><td>= 0</td></tr> <tr><td></td><td>= 0</td></tr> <tr><td></td><td>= 0</td></tr> <tr><td></td><td>= 0</td></tr> <tr><td></td><td>= 0</td></tr> <tr><td></td><td>= 0</td></tr> <tr><td></td><td>= 0</td></tr> </table>		= 0		= 0		= 0		= 0		= 0		= 0		= 0		= 0	2018/06/21 2018/06/27 2018/06/28 EC NO: 178454 DRWN: SSM CHK'D: SSM REV APPR: RSILLER	GENERAL TOLERANCES (UNLESS SPECIFIED) ANGULAR TOL ± 1.0 ° 4 PLACES ± 3 PLACES ± 2 PLACES ± 0.05 1 PLACE ± 0.3 0 PLACES ± 0.5 DRAFT WHERE APPLICABLE MUST REMAIN WITHIN DIMENSIONS	DIMENSION UNITS mm SCALE 1:1	DRWN BY MKOWALCZYK01 DATE 2017/05/18 CHK'D BY DATE APPR BY MIWASIECZKO DATE 2017/05/31	DRAWING SIZE A3 THIRD ANGLE PROJECTION 	molex® M12U-XP-FE-STR-XP-M-STR-XM PRODUCT CUSTOMER DRAWING	SERIES 120080 MATERIAL NUMBER SEE MATRIX CUSTOMER GENERAL MARKET	DOCUMENT NUMBER 1200805076 DOC TYPE PSD DOC PART 00P SHEET NUMBER 2 OF 3
	= 0																							
	= 0																							
	= 0																							
	= 0																							
	= 0																							
	= 0																							
	= 0																							
	= 0																							
EC NO: 178454 DRWN: SSM CHK'D: SSM REV APPR: RSILLER A2																								

PART LIST

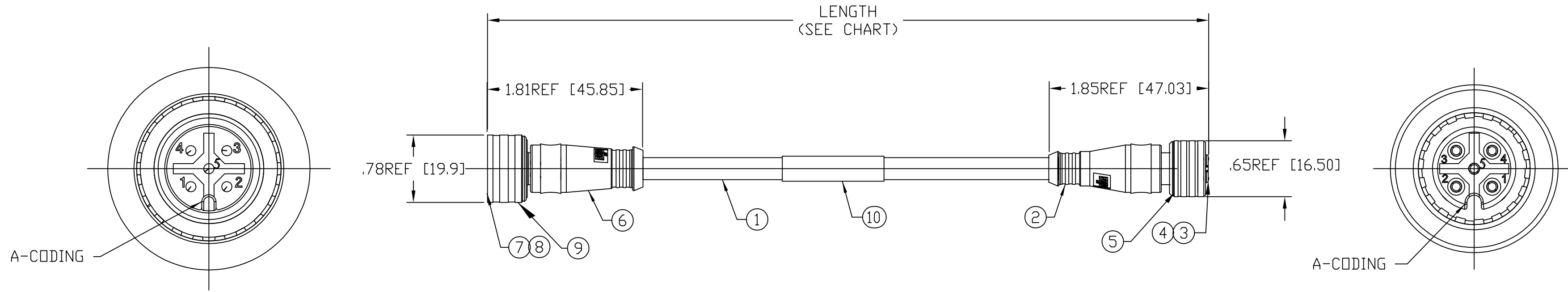
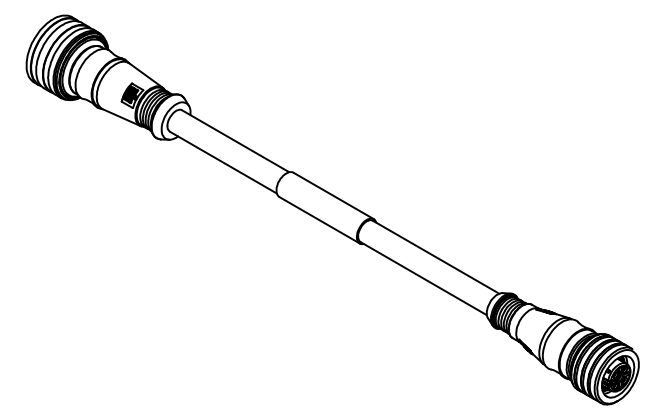
NO.	MOLEX PN	ENGINEERING NO.	LENGTH
1	1200808154	WW5030P82M020	2M
2	1200808155	WW5030P82M030	3M
3	1200808156	WW5030P82M050	5M
4	1200808157	WW5030P82M070	7M
5	1200808158	WW5030P82M100	10M
6	1200210002	WW4030E03M050	5M
7	1200800469	WW4030E03M010	1M
8	1200800470	WW4030E03M020	2M
9	1200805076	WW5030E03M010	1M
10	1200808016	WW5030E03M050	5M
11	1200805018	WW4030P03M020	2M
12	1200805022	WW4030P03M005	0.5M
13	1200805044	WW4030P03M006	0.6M
14	1200805049	WW5030P03M006	0.6M
15	1200805050	WW5030P03M010	1M
16	1200805051	WW5030P03M020	2M
17	1200808115	WW4030P03M018	1.8M
18	1200808133	WW5030P03M100	10M
19	1200805019	WW5030P03M050	5M
20	1200805048	WW4030P03M050	5M
21	1200805052	WW5030P03M030	3M
22	1200805053	WW5030P03M040	4M
23	1200808070	WW5030P03M050A	5M
24	1200808071	WW5030P03M020A	2M
25	1200805083	WW8030P02M010	1M
26	1200805096	WW8030P02M020	2M
27	1200808043	WW5030P02M003G	0.3M
28	1200805097	WW8030P02M050	5M
29	1200808072	WW8030P02M020A	2M
30	1200808073	WW8030P02M050A	5M
31	1200808129	WW8030P02M0208	2M

NO.	MOLEX PN	ENGINEERING NO.	LENGTH
32	1200808026	WW3030H09M010	1M
33	1200808031	WW4030H09M010	1M
34	1200808039	WW5030H09M010	1M
35	1200808107	WW5030H09M020	2M
36	1200808033	WW8030H08M010	1M
37	1200808139	WW8030H08M020	2M
38	1200808140	WW8030H08M050	5M
39	1200798157	WW5030E03M100	10M
40	1200798158	WW8030H08M100	10M
41	1200210001	WW4030E03M100	10M
42	1200808015	WW5030E03M020	2M

QUALITY SYMBOLS 	THIS DRAWING CONTAINS INFORMATION THAT IS PROPRIETARY TO MOLEX ELECTRONIC TECHNOLOGIES, LLC AND SHOULD NOT BE USED WITHOUT WRITTEN PERMISSION										
	2018/06/21	2018/06/27	2018/06/28	GENERAL TOLERANCES (UNLESS SPECIFIED)		DIMENSION UNITS	SCALE				
	2018/06/21	2018/06/27	2018/06/28	ANGULAR TOL ± 1.0 °		mm	1:1				
	EC NO: 178454 DRWN: SSM CHK'D: SSM APPR: RSILLER	4 PLACES ±		DRWN BY		DATE		M12U-XP-FE-STR-XP-M-STR-XM PRODUCT CUSTOMER DRAWING SERIES: 120080 MATERIAL NUMBER: SEE MATRIX CUSTOMER: GENERAL MARKET DOCUMENT NUMBER: 1200805076 DOC TYPE: PSD DOC PART: 00P SHEET NUMBER: 3 OF 3			
		3 PLACES ±		MKOWALCZYK01		2017/05/18					
		2 PLACES ± 0.05		CHK'D BY		DATE					
		1 PLACE ± 0.3		APPR BY		DATE					
		0 PLACES ± 0.5		MIWASIECZKO		2017/05/31					
	DRAFT WHERE APPLICABLE MUST REMAIN WITHIN DIMENSIONS			DRAWING SIZE		THIRD ANGLE PROJECTION					
				A4							

RELEASE STATUS: P1 RELEASE DATE: 2018/06/28 06:17:11

PART NUMBER	ENGINEERING NO.	LENGTH
1200805049	WW5030P03M006	2' 0" +1.8 - 0 [.6M +45MM - 0]
1200805050	WW5030P03M010	3' 3" +2.2 - 0 [1M +55MM - 0]
1200805051	WW5030P03M020	6' 6" +3.5" - 0 [2M +90MM - 0]
1200805052	WW5030P03M030	9' 8" +3.5" - 0 [3M +90MM - 0]
1200805053	WW5030P03M040	13' 1" +6.5" - 0 [4M +150MM - 0]
1200805019	WW5030P03M050	16' 4" +6.5" - 0 [5M +150MM - 0]



- NOTES:
- 1) MATERIAL: SEE TABLE
 - 2) FINISHES: SEE TABLE
 - 3) WRAP LABEL IS MARKED WITH P/N, DATE CODE, VOLTAGE & AMPERAGE.
 - 4) MATES WITH: MICRO CHANGE, 5 POLE RECEPTACLE
 - 5) ELECTRICAL DATA:
 INLINE CORDSET
 MALE A-CODING TO FEMALE A-CODING
 22AWG UNSHIELDED
 POLES: 5
 MAX. VOLTAGE: 250V
 MAX. CURRENT 4A
 CONTACT RESISTANCE: <5M Ohm
 PROTECTION IP67/68/69K
 TEMPERATURE RANGE: -20°C TO 80°C
 - 6) PACKAGING:
 CABLE ASSEMBLIES ARE BAGGED SEPERATELY
 IN POLY BAGS WITH BAR CODE LABEL ATTACHED
 TO OUTSIDE OF BAG.
 - 7) ASSEMBLY IS RoHS COMPLIANT.

P1		P2
1	BROWN	1
2	WHITE	2
3	BLUE	3
4	BLACK	4
5	GRAY	5

WIRING DIAGRAM

ITEM	QTY.	DESCRIPTION	MATERIAL	FINISH
10	1	LABEL	PLASTIC FILM	BLACK/YELLOW
9	1	MALE COUPLING NUT	BRASS	NICKEL PLATED
8	5	PIN CONTACT	COPPER ALLOY	GOLD PLATED
7	1	MALE INSERT	PUR	BLACK
6	1	MALE OVERMOLD	PUR	YELLOW
5	1	FEMALE COUPLING NUT	BRASS	NICKEL PLATED
4	5	SOCKET CONTACT	COPPER ALLOY	GOLD PLATED
3	1	FEMALE INSERT	PUR	BLACK
2	1	FEMALE OVERMOLD	PUR	YELLOW
1	1	CABLE, 22AWG-5	PUR JACKET	BLACK

RELEASE EC NO: WEU2010-0062 DRWN: BWOODMAN 8/19/09 CH'KD: LH APPR: JFMURPHY 2009/08/21	DESCRIPTION REV	QUALITY SYMBOL ▽=0 ▽C=0	GENERAL TOLERANCES (UNLESS SPECIFIED) <table border="1"> <thead> <tr> <th></th> <th>mm</th> <th>INCH</th> </tr> </thead> <tbody> <tr> <td>4 PLACES</td> <td>±----</td> <td>±---</td> </tr> <tr> <td>3 PLACES</td> <td>±.005</td> <td>±.005</td> </tr> <tr> <td>2 PLACES</td> <td>±.013</td> <td>±.010</td> </tr> <tr> <td>1 PLACE</td> <td>±.025</td> <td>±.020</td> </tr> </tbody> </table>		mm	INCH	4 PLACES	±----	±---	3 PLACES	±.005	±.005	2 PLACES	±.013	±.010	1 PLACE	±.025	±.020	DIMENSION STYLE IN/MM	SCALE 1:1 DESIGN UNITS INCH	THIRD ANGLE PROJECTION
			mm	INCH																	
		4 PLACES	±----	±---																	
		3 PLACES	±.005	±.005																	
2 PLACES	±.013	±.010																			
1 PLACE	±.025	±.020																			
DRAWN BY DATE BW 2009/08/19			TITLE MICRO CHANGE ULTRA LOCK 5-P MALE/FEMALE ST/ST 22/5AWG PUR																		
CHECKED BY DATE LH 2009/08/19			MOLEX INCORPORATED																		
APPROVED BY DATE -----			MATERIAL NO. SEE CHART	DOCUMENT NO. SD-120080-012	SHEET NO. 1 OF 1																
DRAFT WHERE APPLICABLE MUST REMAIN WITHIN DIMENSIONS			THIS DRAWING CONTAINS INFORMATION THAT IS PROPRIETARY TO MOLEX INCORPORATED AND SHOULD NOT BE USED WITHOUT WRITTEN PERMISSION																		