

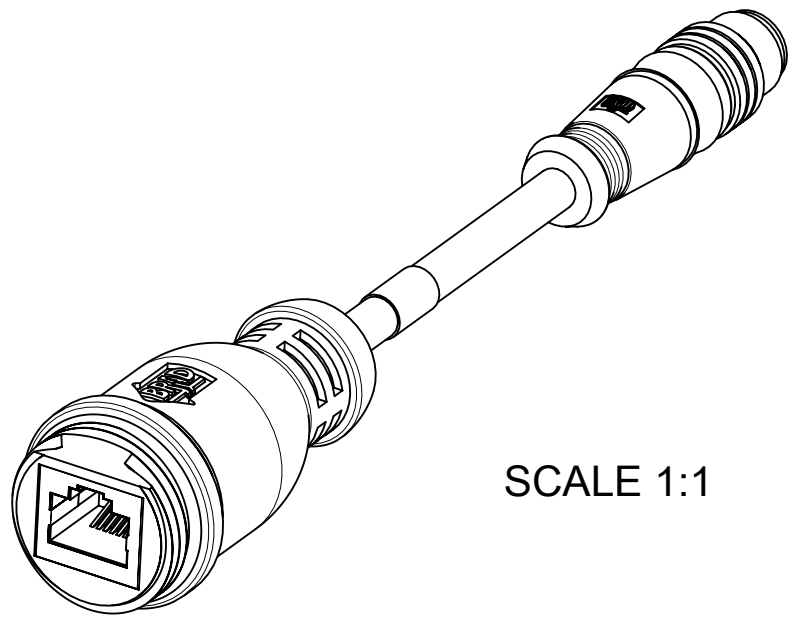
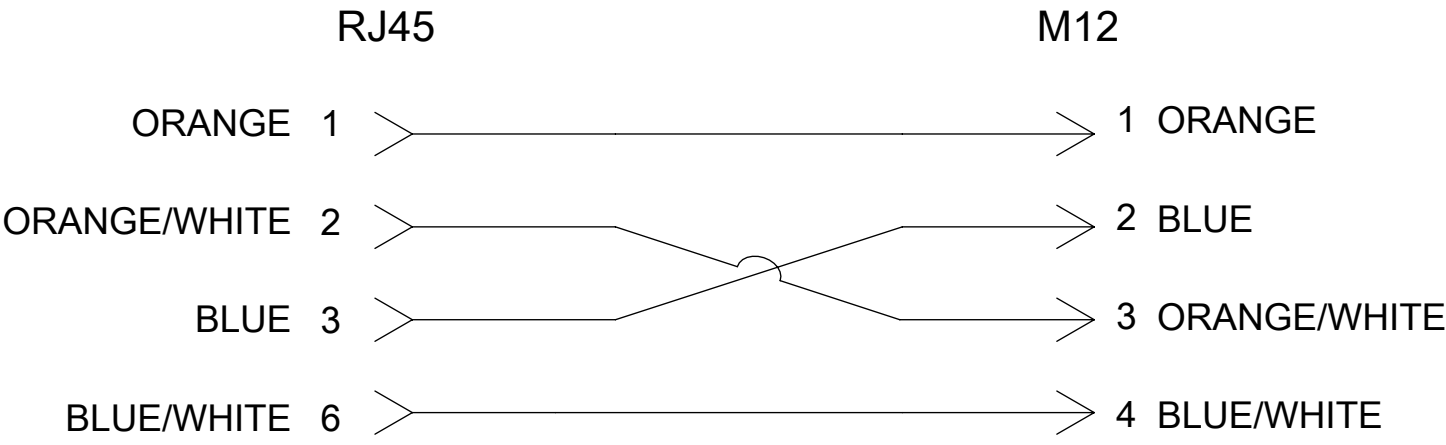
MATERIAL NO.	ENGINEERING NO.	FINISHED LENGTH
1300480210	E51A03002M005	1 FT 7.7 IN (0.5M)
1300480028	E51A03002M040	13 FT 1.48 IN (4M)
1300488149	E51A03002M250	82 FT 0.25 IN (25M)

PART NO. MATRIX
E51A03002M005

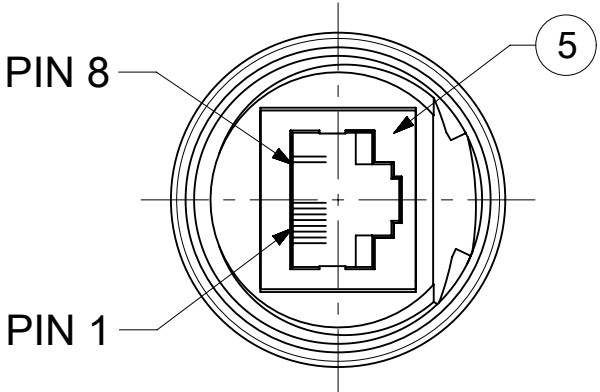
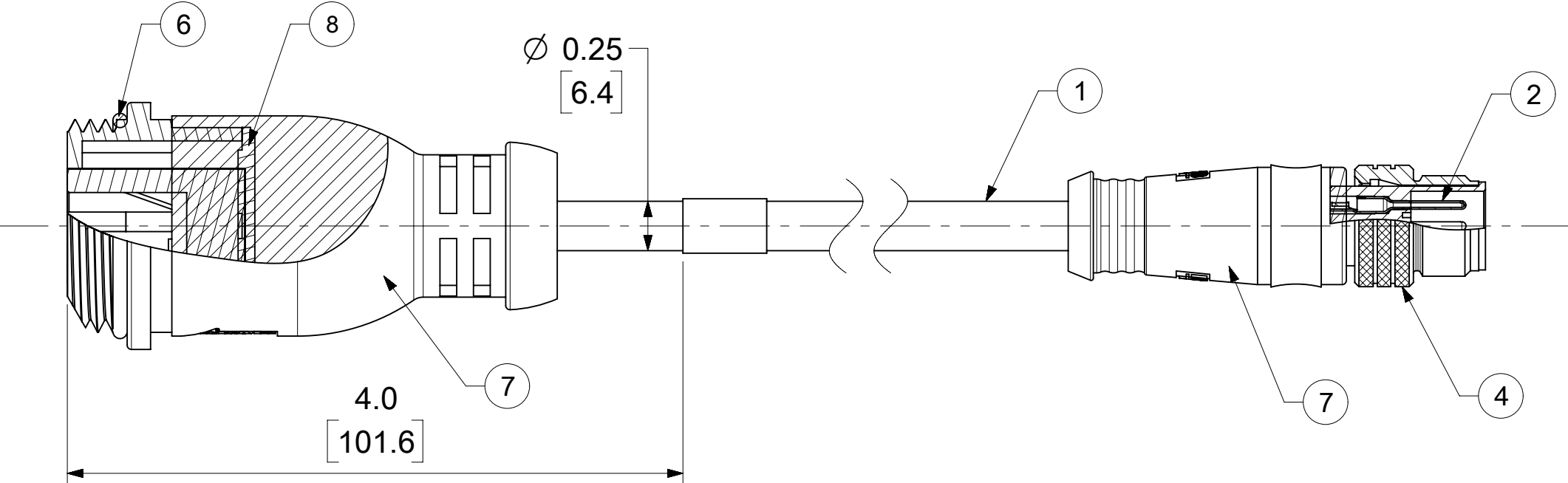
WIRING DIAGRAM

CABLE LENGTH TOLERANCES
 <.3M [1FT]: +19mm-0 [+ .75in-0]
 .3 - .9M [1 - 3FT]: +44.5mm-0 [+1.75in-0]
 .9 - 1.8M [3 - 6FT]: +55.6mm-0 [+2.19in-0]
 1.8 - 3.7M [6 - 12FT]: +88.9mm-0 [+3.50in-0]
 3.7 - 7.3M [12 - 24FT]: +165.1mm-0 [+6.50in-0]
 7.3-14.6M [24 - 48FT]: +317.5mm-0 [+12.50in-0]
 14.6 - 30.5M [48-100FT]: +622.3mm-0 [+24.50in-0]
 OVER 30M [100FT] +2% OF FINISHED LENGTH

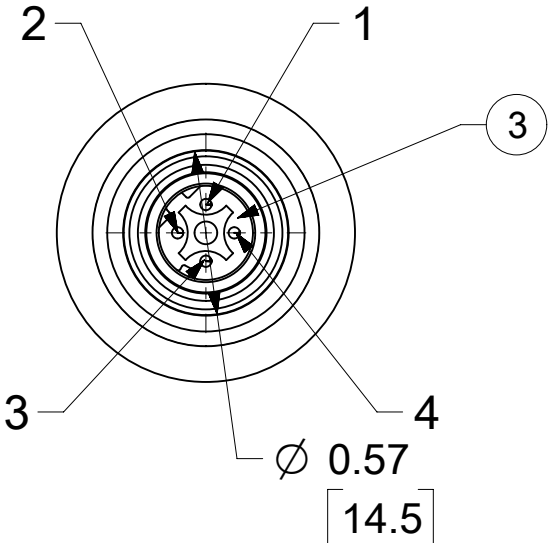
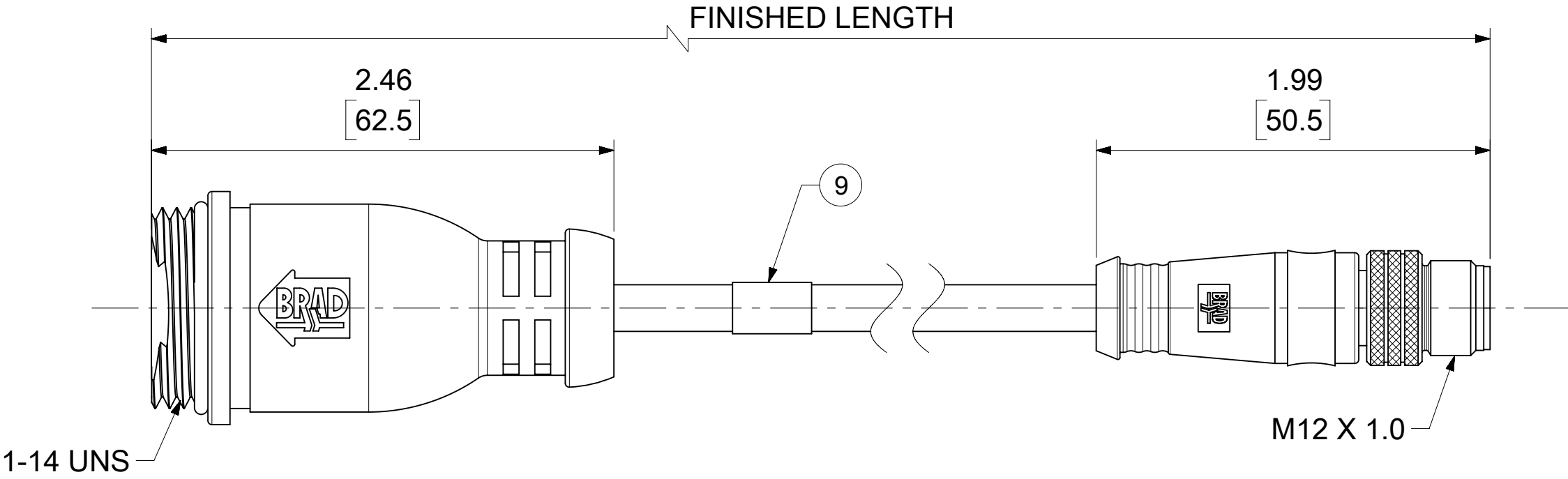
FINISHED LENGTH
 M005= 0.5 METER
 M010= 1 METER
 M100= 10 METER



- NOTES:**
- MATERIAL: AS NOTED
 - FINISH: AS NOTED
 - ELECTRICAL SPECIFICATIONS
 VOLTAGE RATING: 125V
 CURRENT RATING: 1.5A
 - TEMP RANGE: -20°C TO +75°C
 - PROTECTION: IP67 (WHEN MATED)
 - UL FILE: E200650
 - ALL DIMS ARE FOR REFERENCE UNLESS TOLERANCED OR NOTED OTHERWISE



RJ45 FACE VIEW



D-CODE FACE VIEW

9	LABEL	VINYL	BLACK/WHITE
8	REAR SNAP COVER	ABS	BLACK
7	OVERMOLD	TPU	BLACK
6	O-RING	VITON	BLACK
5	RJ45 RECEPTACLE	-	-
4	COUPLING NUT M12 MALE	BRASS	NICKEL
3	INSERT D-CODE 4 POLE MALE	PUR	BLACK
2	CONTACT PIN	COPPER ALLOY	GOLD PLATED
1	CABLE, ETHERNET, 24-4	PVC JACKET	TEAL
ITEM	DESCRIPTION	MATERIAL	FINISH

THIS DRAWING CONTAINS INFORMATION THAT IS PROPRIETARY TO MOLEX ELECTRONIC TECHNOLOGIES, LLC AND SHOULD NOT BE USED WITHOUT WRITTEN PERMISSION

FUNCTIONAL SYMBOLS	DIMENSION UNITS	SCALE	CURRENT REV DESC:
FA = 0	INCH/MM	1.5:1	INITIAL RELEASE
FC = 0	GENERAL TOLERANCES (UNLESS SPECIFIED)		
FP = 0		MM	INCH
	4 PLACES	±	±
	3 PLACES	±	±
	2 PLACES	±	±
	1 PLACE	±	±
	0 PLACES	±	±
	ANGULAR TOL	± °	
	DRAFT WHERE APPLICABLE MUST REMAIN WITHIN DIMENSIONS		

EC NO: 648668	2020/09/21	molex				
DRWN: VBASUTHKARP	2020/11/11					
CHK'D: RSTONE	2020/11/18					
APPR: BWOODMAN	2020/11/18	PRODUCT CUSTOMER DRAWING				
INITIAL REVISION:		DOCUMENT NUMBER	DOC TYPE	DOC PART	REVISION	
DRWN: VBASUTHKARP	2020/09/21	1300480210	PSD	000	A	
APPR: BWOODMAN	2020/11/18					
DRAFT WHERE APPLICABLE MUST REMAIN WITHIN DIMENSIONS	THIRD ANGLE PROJECTION	DRAWING	SERIES	MATERIAL NUMBER	CUSTOMER	SHEET NUMBER
		C-SIZE	130048	SEE TABLE	GENERAL MARKET	1 OF 1