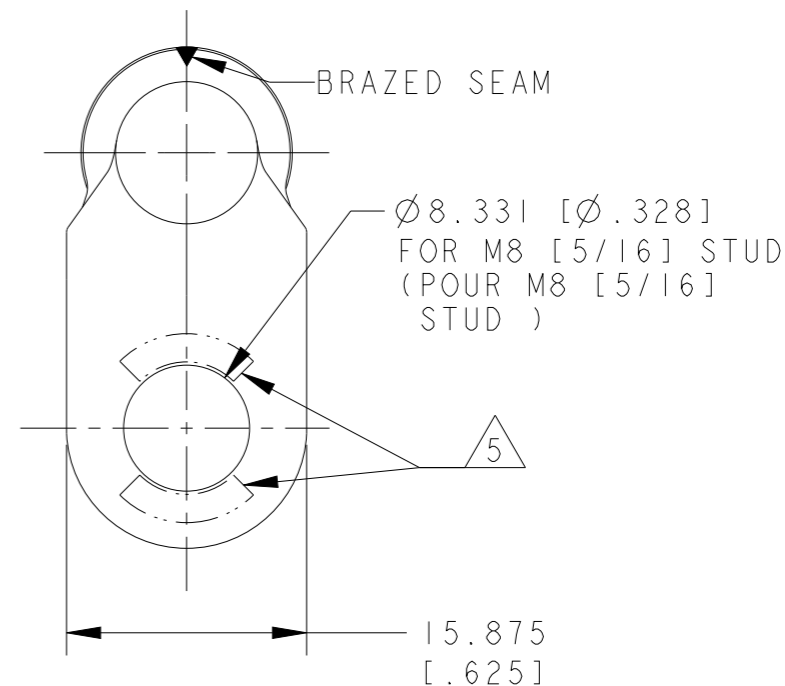
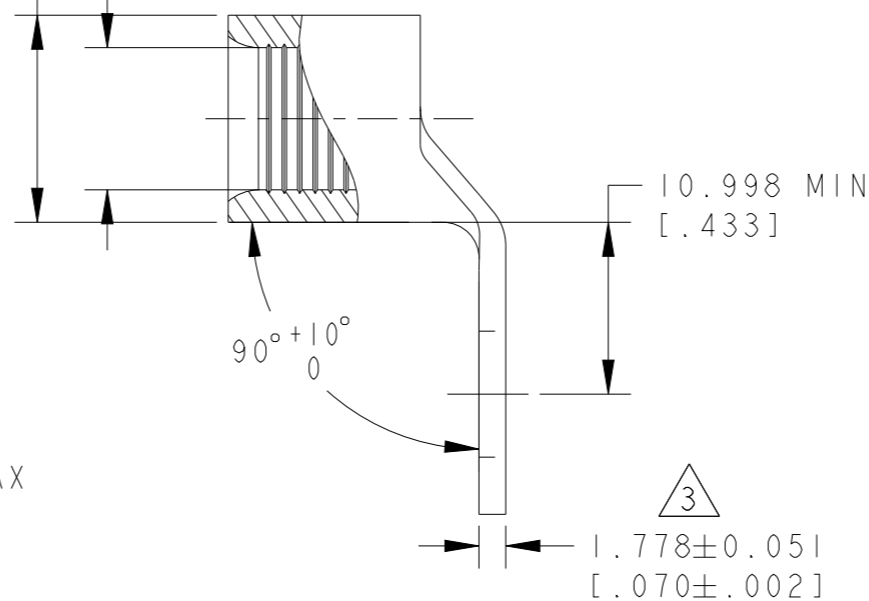


USE WITH CABLE EXT DIA 11.000 mm [.435 IN] MAX
(POUR CABLE ØEXT 11.000 mm [.435 IN] MAX)

Ø13.700 MAX [Ø.539]
Ø9.400 MIN [Ø.370]



1. TOOLS:
- TERMINAL: DIE: NEST PN 1-1490413-7 + INDENTER PN 1490414-2 FOR TOOL OR HEAD NUMBER, SEE INSTRUCTION SHEET 408-8691
 - INSULATION SLEEVE: CRIMPING HEAD PN 69099, DIE PN 69214-1 (INSTRUCTION SHEET 408-1826) (OUTILLAGE: COSSE: MATRICE: EMPREINTE PN 1-1490413-7 + PN 1490414-2 POUR LES REFERENCES D'OUTILS ET DE TETE DE SERTISSAGE, VOIR INSTRUCTION SHEET 408-8691
 - MANCHON ISOLANT: TETE DE SERTISSAGE PN 69099, MATRICE 69214-1 (INSTRUCTION SHEET 408-1826))

2. WIRE DIMENSIONS: 34,500 mm² [1.358 in²], INSULATION DIAMETER 11.000 mm [.433 IN] (DIMENSION DU FIL: 34,500 mm² [1.358 in²], DIAMETRE ISOLANT 11.000 mm [.433 IN])

△3 PERMISSIBLE TONGUE DISTORTION: 2.700 mm [.106 in] MAX (DEFORMATION DE LA PLAGE AUTORISEE: 2.700 mm [.106 in] MAX HORS TOUT)

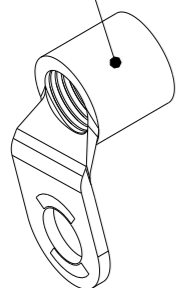
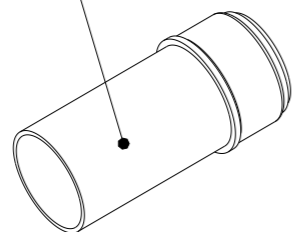
△4 MATERIALS AND FINISH:

- TERMINAL: COPPER, PER ASTM B152 FINISH: NICKEL PLATE 0.00762[.000300] MIN THK PER SAE AMS QQ-N-290
- INSULATION SLEEVE: PTFE (MATIERES ET FINITION: COSSE: CUIVRE, FINITION: NICKEL
- MANCHON: PTFE)

△5 STAMP: AMP 2W*60-75 APPROX AS SHOWN

SLEEVE ASSEMBLY (MANCHON ASSEMBLE)

TERMINAL (COSSE)



SCALE 1:1

10	LOOSE PIECE	133043-1
QTY	PACKAGE TYPE	PART NUMBER

THIS DRAWING IS A CONTROLLED DOCUMENT.		DWN 28AUG2003 JJ. DESPRETZ	TE Connectivity	
DIMENSIONS: mm/ INCHES		CHK G-ROBERT		
TOLERANCES UNLESS OTHERWISE SPECIFIED:		APVD Y-PETRONIN	NAME KIT, POST INSULATED, STRATO-THERM, WIRE SIZE: 2 AWG, 90 BEND TERMINAL	
0 PLC ±-	1 PLC ±-	PRODUCT SPEC -	-	
2 PLC ±-	3 PLC ±0.127[.005]	APPLICATION SPEC -	-	
4 PLC ±-	ANGLES ±-	WEIGHT -	SIZE A3	CAGE CODE 00779
MATERIAL △4	FINISH △4	CUSTOMER DRAWING	DRAWING NO C=133043	RESTRICTED TO
SCALE 2:1			SHEET 1 OF 1	REV B4