

8 RECEIVED FOR FABRICATION 20
 7
 6
 5
 4
 3
 2
 1
 TITLE DRAWING IS UNPUBLISHED. COPYRIGHT © BY TYSO ELECTRONICS CORPORATION. ALL RIGHTS RESERVED.

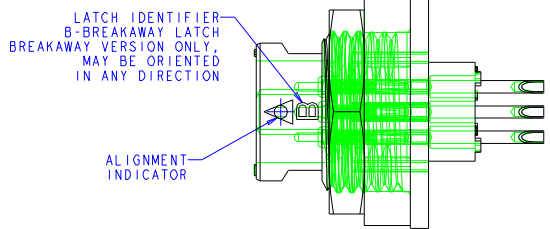
REVISIONS				
REV	DATE	BY	APP	DESCRIPTION
1				SEE SHEET 1

△ 3.18 MAX PANEL THICKNESS
 △ PRELIMINARY PART NUMBER

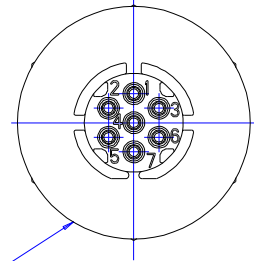
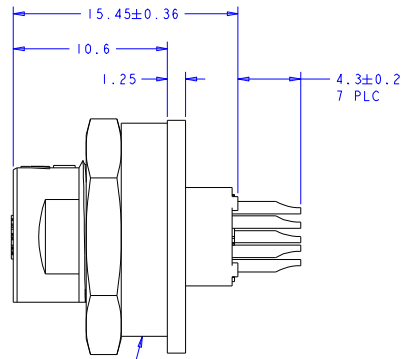
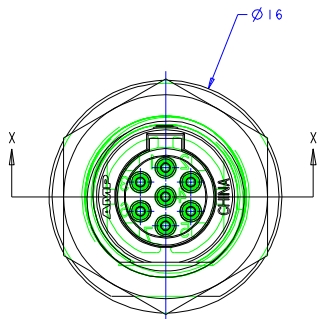
WHITE	1, 7.	2	BREAKAWAY	30°	△ 1-1445718-2
BLACK	1, 7.	2	POSITIVE	0°	△ 1-1445718-1
WHITE	2, 3, 7.	3	BREAKAWAY	30°	△ 1-1445718-0
BLACK	2, 3, 7.	3	POSITIVE	0°	△ 1445718-09
WHITE	2, 3, 5, 6.	4	BREAKAWAY	30°	△ 1445718-08
BLACK	2, 3, 5, 6.	4	POSITIVE	0°	△ 1445718-07
WHITE	2, 3, 4, 5, 6.	5	BREAKAWAY	30°	△ 1445718-06
BLACK	2, 3, 4, 5, 6.	5	POSITIVE	0°	△ 1445718-05
WHITE	1, 2, 3, 5, 6, 7.	6	BREAKAWAY	30°	△ 1445718-04
BLACK	1, 2, 3, 5, 6, 7.	6	POSITIVE	0°	△ 1445718-03
WHITE	ALL	7	BREAKAWAY	30°	△ 1445718-02
BLACK	ALL	7	POSITIVE	0°	1445718-01
HOUSING COLOR	CIRCUITS LOADED	QTY	LATCH	A REF	PART NUMBER

DATE: 31 JUL 2001		DRAWN BY: SHANE WELSH		DATE: 31 JUL 2001		CHECKED BY: SHANE WELSH		DATE: 31 JUL 2001		DESIGNED BY: SHANE WELSH		DATE: 31 JUL 2001	
DIMENSIONS: mm		OTHER DIMENSIONS: mm		TYPICAL DIMENSIONS: mm		SPECIFICATIONS: mm		MATERIAL: 0 P.L.C. #1		FINISH: 2 P.L.C. #0-13		APPLICATOR: 3 P.L.C. #1	
NAME: ASSEMBLY, RECEPTACLE, SPRING PROBE		SIZE: A		SCALE: 6:1		SHEET: 2		OF: 2		REV: 1		10	
CUSTOMER DRAWING		SCALE: 6:1		SHEET: 2		OF: 2		REV: 1		10			

REV	DESCRIPTION	DATE	BY	CHKD
7	REVISED	13MAY03	BH	KD
8	ADDED 'B'; A REF. 30° WAS 10°	5-28-03	GD	KD
9	REVISED	3-12-04	GD	KD
10	ADDED P.A.S. NOTES, HOUSING COLOR, SHEET 2.	4-14-04		

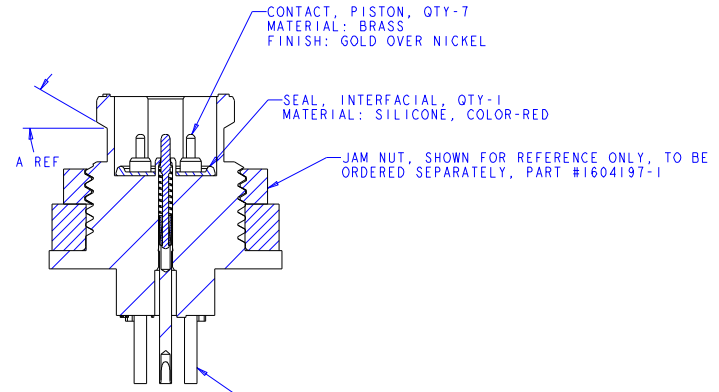


**THIS PRODUCT HAS NOT COMPLETED
 VALIDATION TESTING**



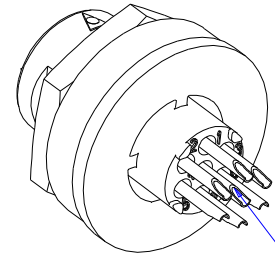
HOUSING, QTY-1
 MATERIAL: THERMOPLASTIC, COLOR-SEE TABLE

GASKET, FLANGE, SHOWN FOR REFERENCE ONLY, TO BE ORDERED SEPARATELY, PART # 1445420-03



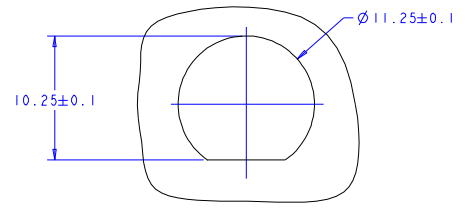
CONTACT, SOLDER CUP, QTY-7
 MATERIAL: BRASS
 FINISH: TIN-LEAD OVER NICKEL
 SEE VIEW Z FOR CONTACT ORIENTATION.

SECTION X-X



VIEW Z

SOLDER TERMINATION AREA OF CONTACT IN CIRCUIT #4 MAY BE ORIENTED UP OR DOWN



△ SUGGESTED PANEL CUTOUT
 SCALE 5:1

DIMENSIONS:		DATE: 31 JUL 2001		REV: 10	
DRAWING NO: 007719		DATE: 31 JUL 2001		REV: 10	
DRAWING NO: 007719		DATE: 31 JUL 2001		REV: 10	
DRAWING NO: 007719		DATE: 31 JUL 2001		REV: 10	
DRAWING NO: 007719		DATE: 31 JUL 2001		REV: 10	
DRAWING NO: 007719		DATE: 31 JUL 2001		REV: 10	
DRAWING NO: 007719		DATE: 31 JUL 2001		REV: 10	
DRAWING NO: 007719		DATE: 31 JUL 2001		REV: 10	
DRAWING NO: 007719		DATE: 31 JUL 2001		REV: 10	
DRAWING NO: 007719		DATE: 31 JUL 2001		REV: 10	