

## Features

- Glass Passivated Zener Diode
- Halogen Free Available Upon Request By Adding Suffix "-HF"
- Moisture Sensitivity Level 1
- Epoxy Meets UL 94 V-0 Flammability Rating
- Lead Free Finish/RoHS Compliant (Note1) ("P" Suffix Designates Compliant. See Ordering Information)

# 1.0 W Silicon Zener Diodes 6.8 to 100 Volts

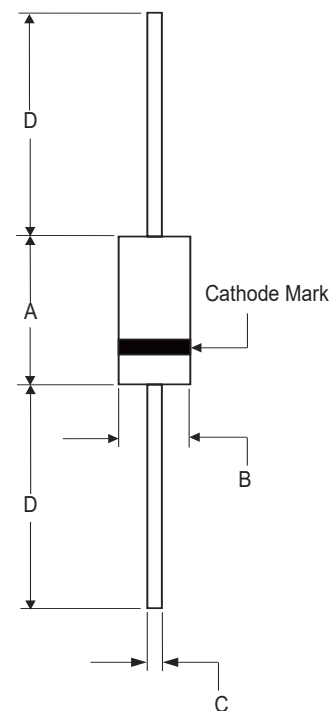
## Maximum Ratings

- Operating Junction Temperature Range: -65°C to +150°C
- Storage Temperature Range: -65°C to +150°C
- Thermal Resistance: 100°C/W Junction to Ambient
- For Capacitive Load, Derate Current by 20%

Parameter	Symbol	Rating	Conditions
Power Dissipation	$P_D$	1.0W	$T_A \leq 50^\circ\text{C}$
Maximum Forward Voltage	$V_F$	1.2V	$I_F = 200\text{mA}$

Note: 1. High Temperature Solder Exemption Applied, see EU Directive Annex 7a.

## DO-41



### DIMENSIONS

DIM	INCHES		MM		NOTE
	MIN	MAX	MIN	MAX	
A	0.160	0.205	4.10	5.20	
B	0.080	0.107	2.00	2.70	Φ
C	0.028	0.035	0.70	0.90	Φ
D	1.000	-----	25.40	-----	

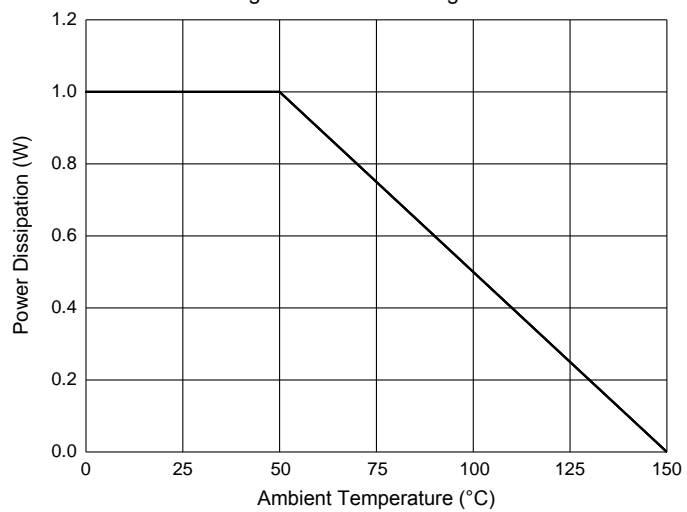
**Electrical Characteristics @ 25°C Unless Otherwise Specified**

MCC Part Number	Nominal Zener Voltage	Test current	Maximum Zener Impedance			Maximum Reverse Leakage Current		Maximum Zener Current	Maximum Surge Current	MARKING CODE
	$V_Z @ I_{ZT}$	$I_{ZT}$	$Z_{ZT} @ I_{ZT}$	$Z_{Zk} @ I_{Zk}$	$I_{Zk}$	$I_R$	$V_R$	$I_{ZM}$	$I_{RM}$	
	V	mA	$\Omega$	$\Omega$	mA	$\mu A$	V	mA	mA	
1N4736AP	6.8	37.0	3.5	700	1.0	10	4.0	133	660	1N4736A
1N4737AP	7.5	34.0	4.0	700	0.5	10	5.0	121	605	1N4737A
1N4738AP	8.2	31.0	4.5	700	0.5	10	6.0	110	550	1N4738A
1N4739AP	9.1	28.0	5.0	700	0.5	10	7.0	100	500	1N4739A
1N4740AP	10	25.0	7.0	700	0.25	10	7.6	91	454	1N4740A
1N4741AP	11	23.0	8.0	700	0.25	5.0	8.4	83	414	1N4741A
1N4742AP	12	21.0	9.0	700	0.25	5.0	9.1	76	380	1N4742A
1N4743AP	13	19.0	10	700	0.25	5.0	9.9	69	344	1N4743A
1N4744AP	15	17.0	14	700	0.25	5.0	11.4	61	305	1N4744A
1N4745AP	16	15.5	16	700	0.25	5.0	12.2	57	285	1N4745A
1N4746AP	18	14.0	20	750	0.25	5.0	13.7	50	250	1N4746A
1N4747AP	20	12.5	22	750	0.25	5.0	15.2	45	225	1N4747A
1N4748AP	22	11.5	23	750	0.25	5.0	16.7	41	205	1N4748A
1N4749AP	24	10.5	25	750	0.25	5.0	18.2	38	190	1N4749A
1N4750AP	27	9.5	35	750	0.25	5.0	20.6	34	170	1N4750A
1N4751AP	30	8.5	40	1000	0.25	5.0	22.8	30	150	1N4751A
1N4752AP	33	7.5	45	1000	0.25	5.0	25.1	27	135	1N4752A
1N4753AP	36	7.0	50	1000	0.25	5.0	27.4	25	125	1N4753A
1N4754AP	39	6.5	60	1000	0.25	5.0	29.7	23	115	1N4754A
1N4755AP	43	6.0	70	1500	0.25	5.0	32.7	22	110	1N4755A
1N4756AP	47	5.5	80	1500	0.25	5.0	35.8	19	95	1N4756A
1N4757AP	51	5.0	95	1500	0.25	5.0	38.8	18	90	1N4757A
1N4758AP	56	4.5	110	2000	0.25	5.0	42.6	16	80	1N4758A
1N4759AP	62	4.0	125	2000	0.25	5.0	47.1	14	70	1N4759A
1N4760AP	68	3.7	150	2000	0.25	5.0	51.7	13	65	1N4760A
1N4761AP	75	3.3	175	2000	0.25	5.0	56.0	12	60	1N4761A
1N4762AP	82	3.0	200	3000	0.25	5.0	62.2	11	55	1N4762A
1N4763AP	91	2.8	250	3000	0.25	5.0	69.2	10	50	1N4763A
1N4764AP	100	2.5	350	3000	0.25	5.0	76.0	9.0	45	1N4764A

Note: The JEDEC type number shown with an A suffix have a 5% tolerance.

## Curve Characteristics

Fig. 1 - Power Derating Curve



## Ordering Information

Device	Packing
(Part Number)-TP	Tape&Reel: 5Kpcs/Reel
(Part Number)-AP	Ammo Packing: 5Kpcs/Ammo Box
(Part Number)-BP	Bulk: 1Kpcs/Box, 50Kpcs/Carton

Note : Adding "-HF" Suffix For Halogen Free, eg. Part Number-TP-HF

### \*\*\*IMPORTANT NOTICE\*\*\*

**Micro Commercial Components Corp.** reserves the right to make changes without further notice to any product herein to make corrections, modifications, enhancements, improvements, or other changes. **Micro Commercial Components Corp.** does not assume any liability arising out of the application or use of any product described herein; neither does it convey any license under its patent rights, nor the rights of others. The user of products in such applications shall assume all risks of such use and will agree to hold **Micro Commercial Components Corp.** and all the companies whose products are represented on our website, harmless against all damages. **Micro Commercial Components Corp.** products are sold subject to the general terms and conditions of commercial sale, as published at <https://www.mccsemi.com/Home/TermsAndConditions>.

### \*\*\*LIFE SUPPORT\*\*\*

MCC's products are not authorized for use as critical components in life support devices or systems without the express written approval of Micro Commercial Components Corporation.

### \*\*\*CUSTOMER AWARENESS\*\*\*

Counterfeiting of semiconductor parts is a growing problem in the industry. Micro Commercial Components (MCC) is taking strong measures to protect ourselves and our customers from the proliferation of counterfeit parts. MCC strongly encourages customers to purchase MCC parts either directly from MCC or from Authorized MCC Distributors who are listed by country on our web page cited below. Products customers buy either from MCC directly or from Authorized MCC Distributors are genuine parts, have full traceability, meet MCC's quality standards for handling and storage. **MCC will not provide any warranty coverage or other assistance for parts bought from Unauthorized Sources.** MCC is committed to combat this global problem and encourage our customers to do their part in stopping this practice by buying direct or from authorized distributors.