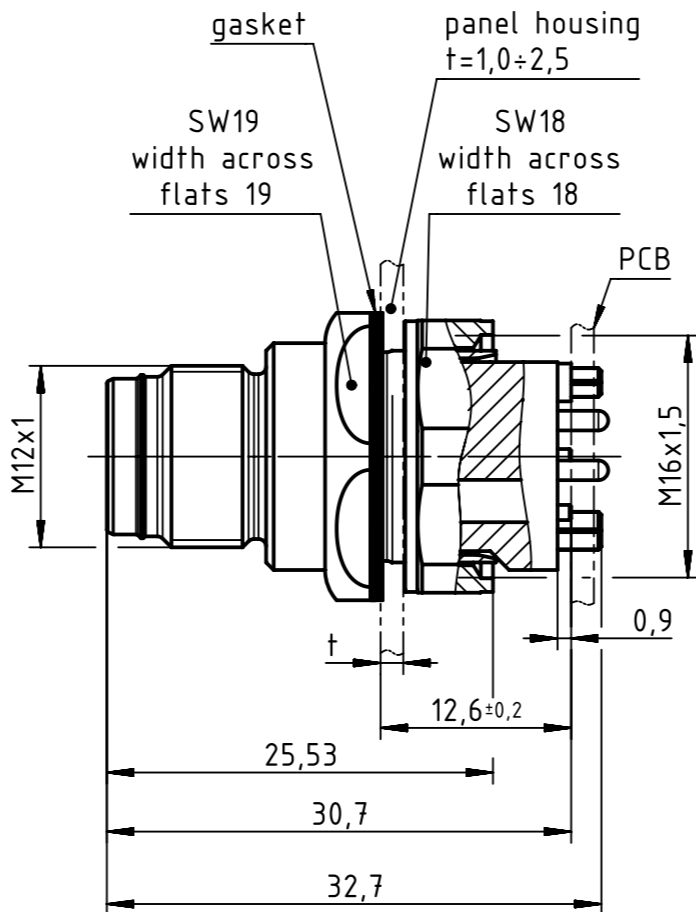
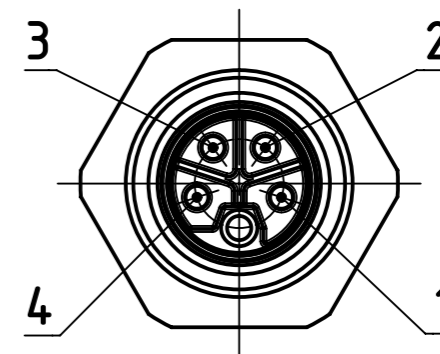


A →

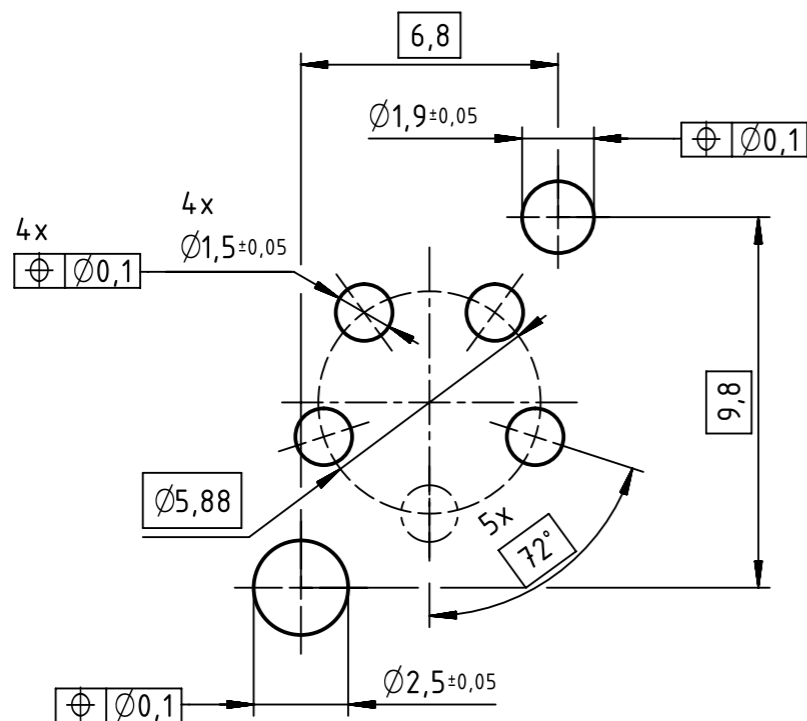


contact face based on IEC 61076-2-111

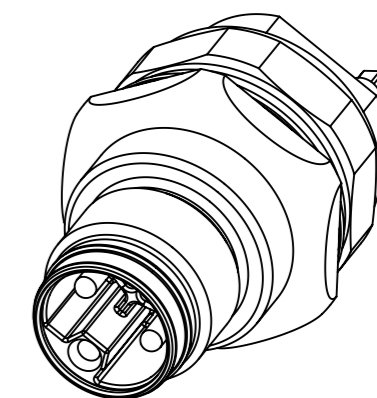
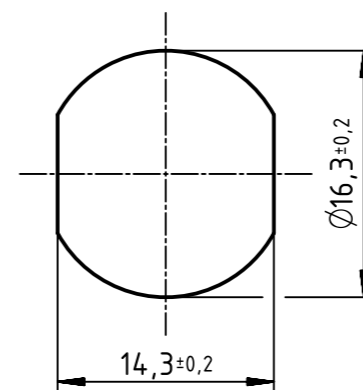


A (5:1)

recommended PCB-layout



panel cut out (2:1)



| | | | | | | | | |
|---|---------------------|-----------|--|--|---|--------------------------|-----------------|---------------------|
| | All rights reserved | | Created by SERBANA | | Inspected by DRAGHICI | Standardisation HOFFMANN | Date 2018-10-24 | State Final Release |
| | Department EL PD | | Title M12 Power PCB male receptacle L-coded w/o FE front | | Doc-Key / ECM-Nr. 1007524-01/UGD/000/E 500000141541 | | Rev. E | Page 1/1 |
| HARTING Electronics GmbH D-32339 Espelkamp | | Type TB | Number 21033961532 | | | | | |
| All Dimensions in mm Original Size DIN A3 | | Scale 2:1 | Free size tol. | | Ref. Sub. | | | |