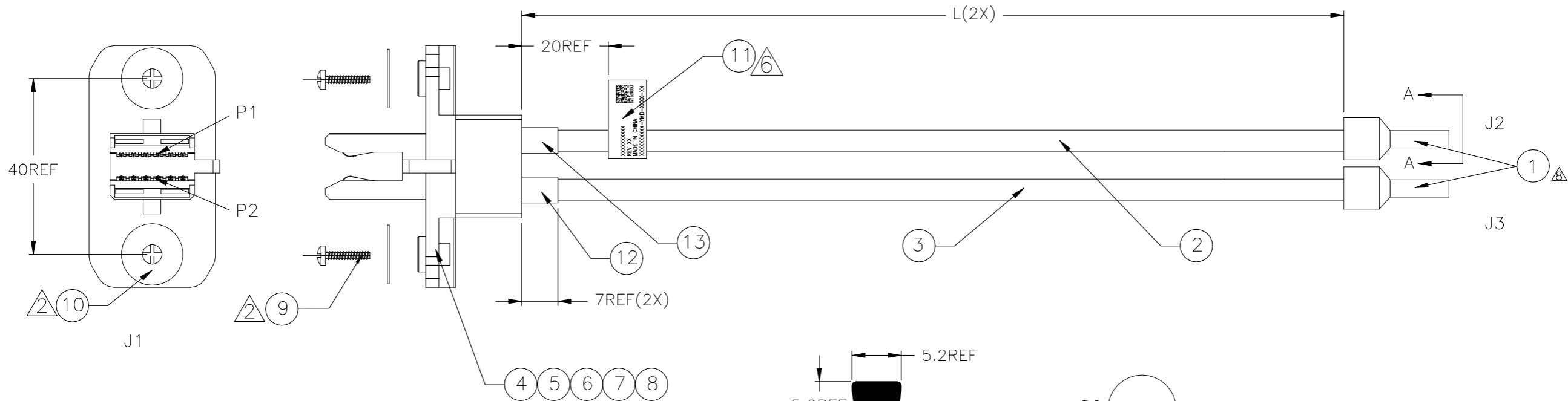


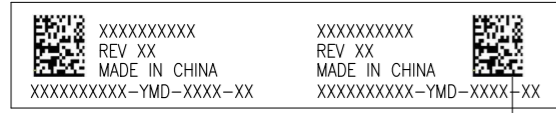
REVISIONS					
P	LTR	DESCRIPTION	DATE	DWN	APVD
	B	REVISED PER ECO-21-000041	04JAN2021	VM	WY



NOTES:

1. 100% KEEP THE PRODUCT NOT OPEN OR SHORT
- △ SCREWS AND WASHERS WILL BE PACKAGED SEPARATELY.  
RECOMMENDED TORQUE 4kgf.cm MAX.
- △ CONNECTOR MATE TO PANEL FROM OPPOSITE SIDE.
- △ NO BURR ALLOWED ON OPPOSITE (MATTING) SIDE.
5. RECOMMENDED BUS-BAR PLATING 3um MIN. SILVER ON CONTACT AREA AND 1.27um MIN. Ni. OVERALL. THICKNESS 6.0±0.05MM WITH C0.5 CHAMFER OR R0.5 ROUND.

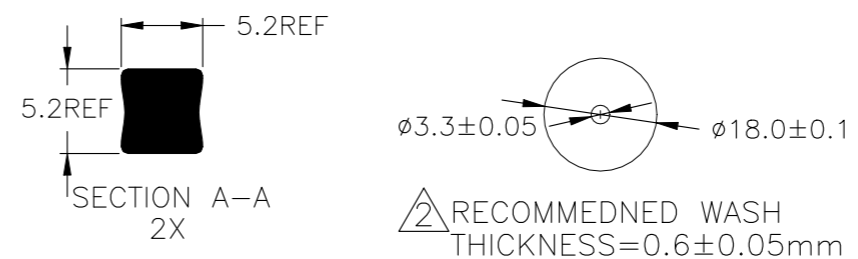
△ LABEL PRINTED INFORMATION AS FOLLOWING



XXXXXXX — TE P/N(4X)  
 XX — TE REV(4X)  
 YMD — DATE CODE(2X)  
 Y: THE LAST DATA OF YEAR. FOR EXAMPLE, Y IS 4 FOR 2014  
 M: THE MONTH 1~9, A~C.  
 D: THE DAY 1~9, A~V  
 XXX(2X): SERIES NUMBER, A RADIX OF 36, (0~9,A~Z)  
 X(2X): SERIES NUMBER, A RADIX OF 25, (0~9,A~0)

- 2.1 FONT: Verdana Black, 5pt Height, MEET ISO/IEC 16022, REQUEST OF PRINT.
- 2.2 SCANNING LEVEL: C MIN., OR MEET ISO/IER 15415 STANDARD.
- 2.3 TYPE: DATA MATRIX, MEET ISO/IEC 16022 DATA MATRIX STANDARD.
- 2.4 10 MIL CELL DIMENSION.
- 2.5 300 DPI PRINTER MIN.

7. APPLICATION RATING:  
 VOLTAGE: 48V DC OR RMS\*  
 CURRENT: 75A\*\*  
 \*VARIABLE, BASED ON APPLICATION  
 \*\*VARIABLE, UP TO 75A, BASED ON WIRING
- △ VARIABLE END, BASED ON CUSTOMER APPLICATION.
9. CONTACT LOCAL TE SALES REP OR OCP@TE.com FOR ADDITIONAL PRODUCT OPTIONS AND INFORMATION.
- △ SILVER PLATING CONTACT MAY DISCOLOR IN AIR, BUT NO PERFORMANCE ISSUE.



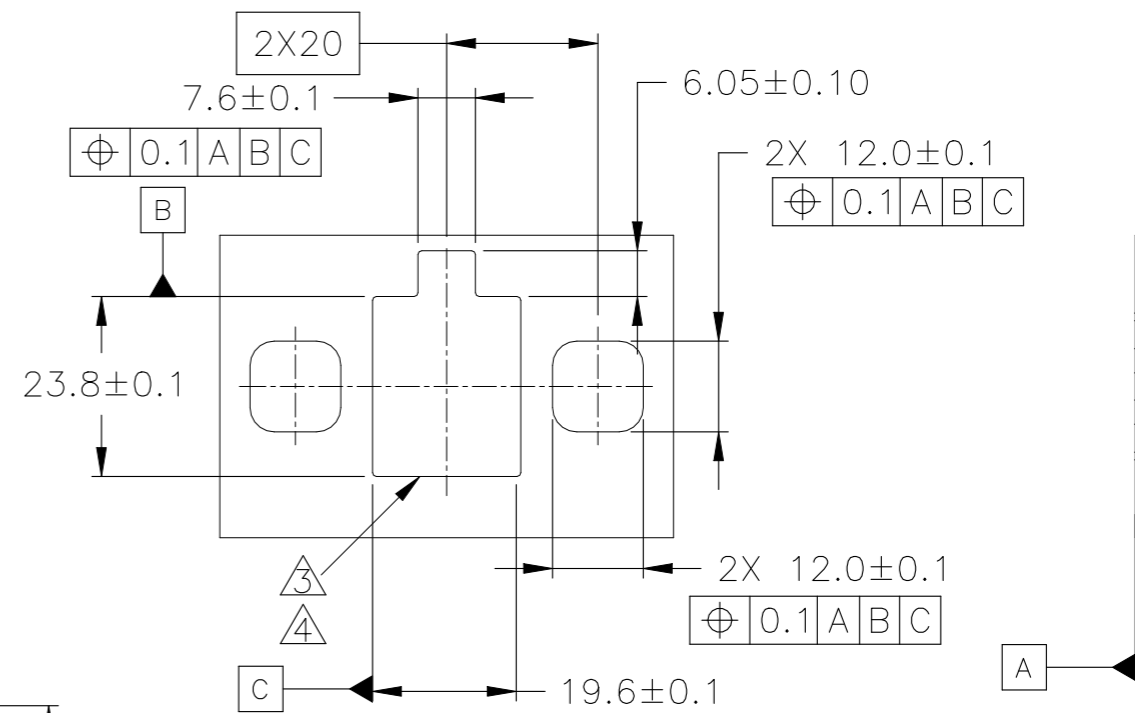
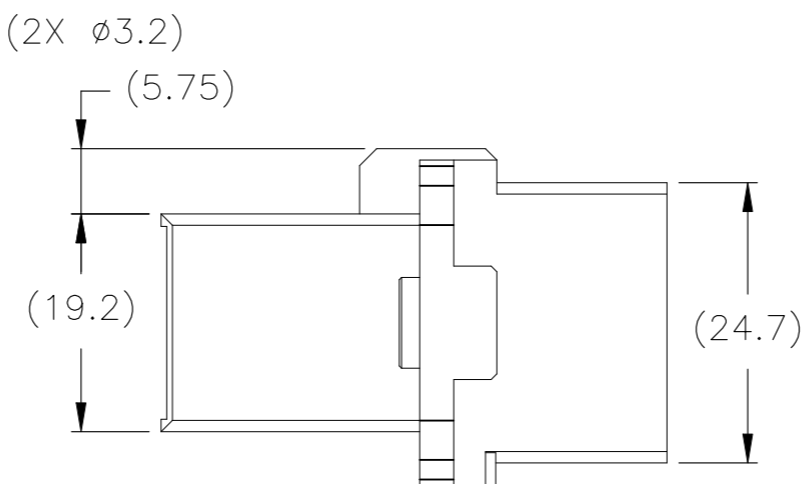
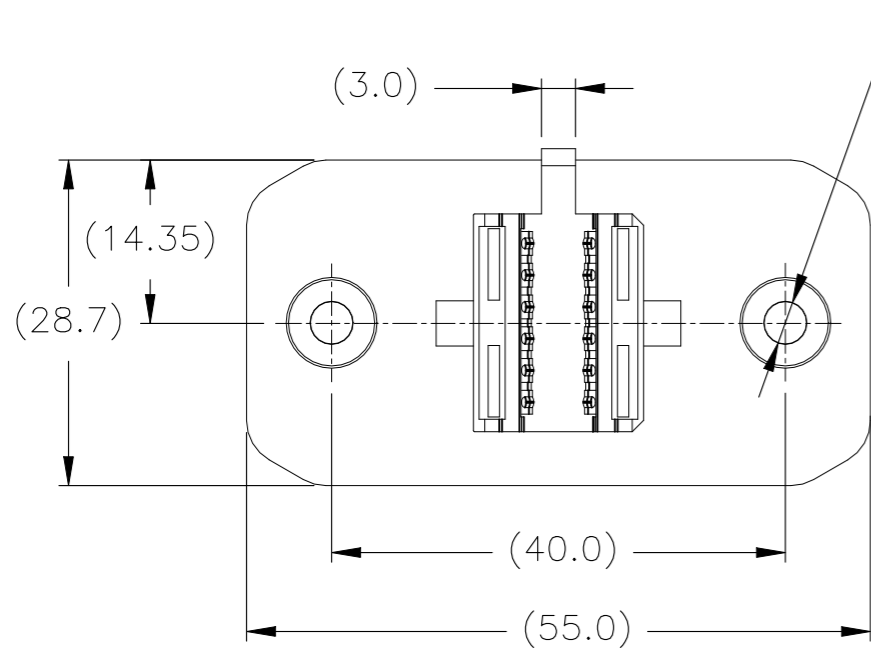
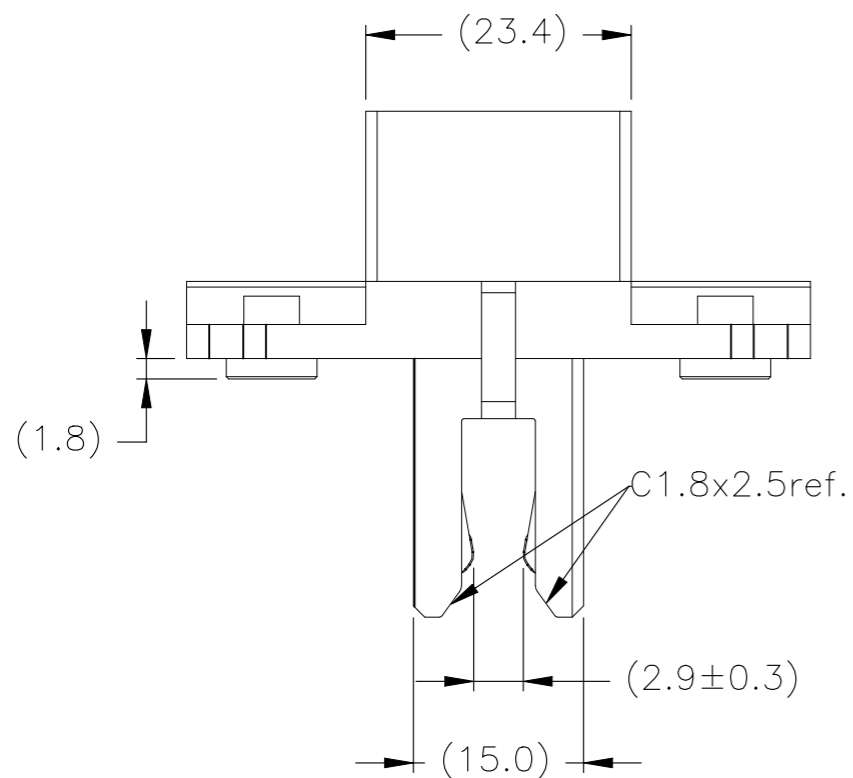
WIRING CHART

ITEM	FROM	TO	ITEM	WIRE
6	J1-P1	J2	1	2,BLACK
	J1-P2	J3		3,RED

AR	MR	DESCRIPTION	QTY	U/M
		2311291-2	N/A	400±10
		2311291-1	N/A	85±5
		TE P/N	CUSTOMER P/N,REV.	L
AR	MR	H.S.TUBE BLACK		13
AR	MR	H.S.TUBE RED		12
1	PC	LABEL		11
2	PC	WASHER		10
2	PC	SCREW M3*11.4		9
2	PC	METAL CLIP		8
2	PC	2ND LOCK		7
2	PC	BUS-BAR CONTACT		6
2	PC	NUT M3		5
1	PC	BUS-BAR HOUSING		4
AR	MR	WIRE 6AWG RED SUPER FLEXIBLE		3
AR	MR	WIRE 6AWG BLACK SUPER FLEXIBLE		2
2	PC	CORD END TERMINAL, TE 2-966067-6		1
QTY	U/M	DESCRIPTION		ITEM

THIS DRAWING IS A CONTROLLED DOCUMENT.		DWN 31OCT2016 ADAM CHEN		TE Connectivity Ltd. Cable AssY, 48V IT Gear	
DIMENSIONS: mm		TOLERANCES UNLESS OTHERWISE SPECIFIED:			
		0 PLC ± - 1 PLC ± - 2 PLC ± - 3 PLC ± - 4 PLC ± - ANGLES ± -			
MATERIAL		FINISH			
				APVD 31OCT2016 DAVID ZHANG	
				PRODUCT SPEC	
				APPLICATION SPEC	
				WEIGHT	
				SIZE A3	
				CAGE CODE 00779	
				DRAWING NO C-2311291	
				RESTRICTED TO	
				CUSTOMER DRAWING	
				SCALE NTS	
				SHEET 1 OF 2	
				REV B	

REVISIONS					
P	LTR	DESCRIPTION	DATE	DWN	APVD
-	-	SEE SHEET 1	-	-	-



RECOMMEND PANEL LAYOUT THICKNESS=1.2±0.05mm

11. LEAD IN SPECIFICATION OF THIS IT GEAR CONNECTOR IS +/-2mm MAX. WHEN MATING WITH OCP DEFINED 6mm THICK BUS-BAR.

PRODUCT AND PROCESSING MUST MEET REQUIREMENTS OF TE CONNECTIVITY ENVIRONMENTAL STANDARD TEC-138-702

THIS DRAWING IS A CONTROLLED DOCUMENT.		DWN ADAM CHEN CHK -	31OCT2016	<b>TE Connectivity Ltd.</b>					
DIMENSIONS: mm 		TOLERANCES UNLESS OTHERWISE SPECIFIED: 0 PLC ± - 1 PLC ± - 2 PLC ± - 3 PLC ± - 4 PLC ± - ANGLES ± -				APVD DAVID ZHANG PRODUCT SPEC -	31OCT2016	NAME Cable AssY, 48V IT Gear	
MATERIAL -		FINISH -		APPLICATION SPEC -	WEIGHT 0	SIZE A3	CAGE CODE 00779	DRAWING NO C-2311291	RESTRICTED TO -
CUSTOMER DRAWING				SCALE NTS	SHEET 2 OF 2	REV B			