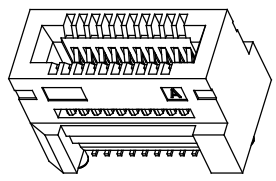
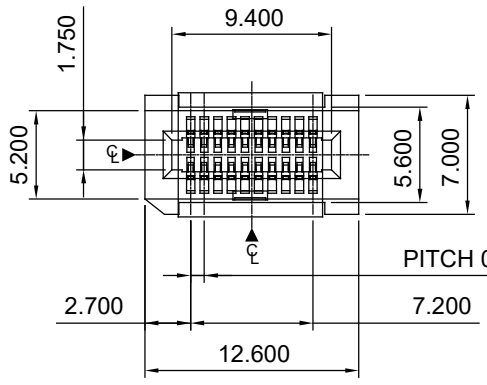
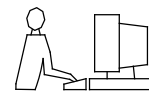
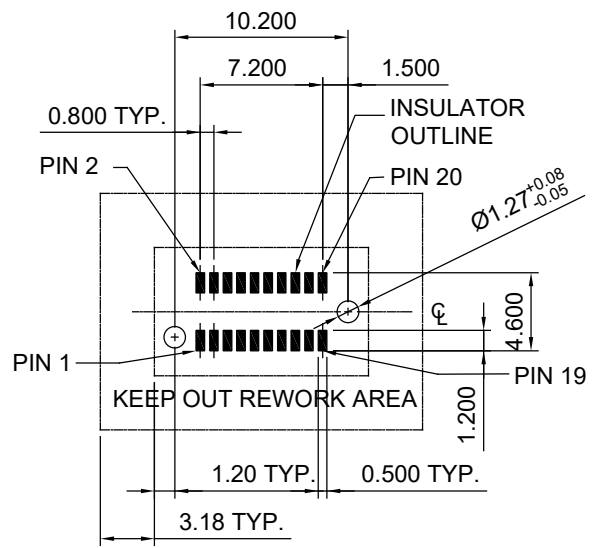
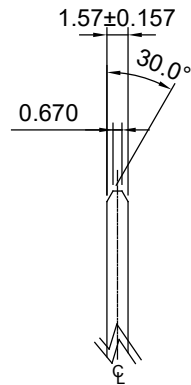
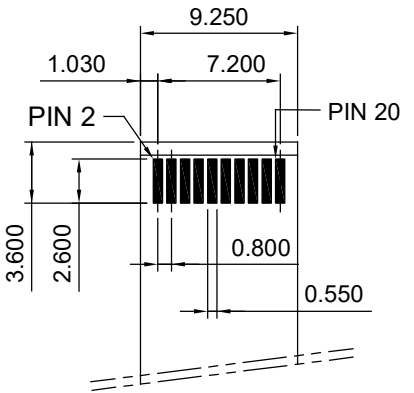
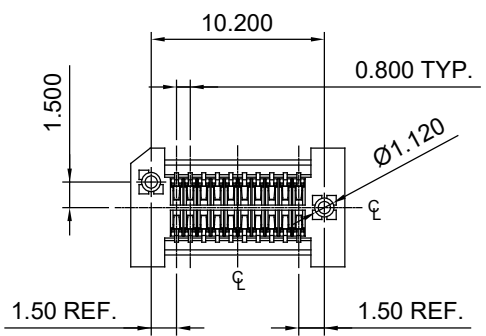
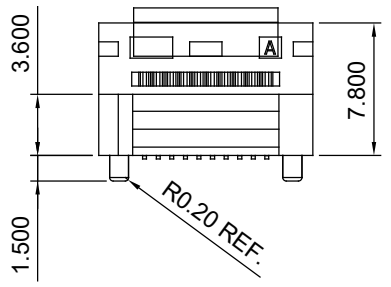
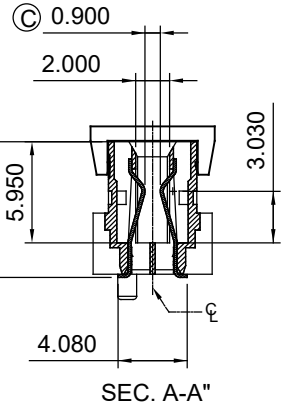


TOLERANCE UNLESS OTHERWISE SPECIFIED	
.X	±0.25
.XX	±0.15
.XXX	±0.10

THIS IS A C.A.D. GENERATED DRAWING
DO NOT MAKE MANUAL REVISIONS TO MASTER.



PITCH 0.800 TYP.



NOTE: STENCIL TO BE 0.15 THICK.

NOTES:

- MATERIAL: INSULATOR THERMOPLASTIC
 HOUSING: PHOSPHOR BRONZE
 CONTACT: GOLD FLASH PLATING ON CONTACT AREA
 MATTE TIN PLATING ON SOLDER TAIL OVER
 NICKEL UNDER PLATING
- MARKED \triangle CRITICAL DIMENSION
 MARKED \odot DIMENSIONS NEED TO BE MEASURED IN CPK

CARD EDGE, FEMALE, SMT, 20 CONTACTS
WITHOUT KEY

ACAD REFERENCE NO.: 370-020-229-102	
DRAWN: W.T	DATE: JUNE.28 /2018
CHECKED:	DATE:
SCALE: N.T.S	SHEET 1 OF 1
DRAWING NUMBER: 370-020-229-102	ISSUE
PART NUMBER: 370-020-229-102	1



THIS SERIES FULLY CONFORMS TO
THE EUROPEAN UNION DIRECTIVES
2011/65/EU FOR RoHS COMPLIANCY.

EDAC EDAC INC
TORONTO, ONTARIO
CANADA
YOUR CONNECTION TO QUALITY & SERVICE

THESE DRAWINGS AND SPECIFICATIONS
ARE THE PROPERTY OF EDAC INC., AND
SHALL NOT BE REPRODUCED, OR COPIED
OR USED AS THE BASIS FOR THE
MANUFACTURE OR SALE OF APPARATUS
WITHOUT WRITTEN PERMISSION.