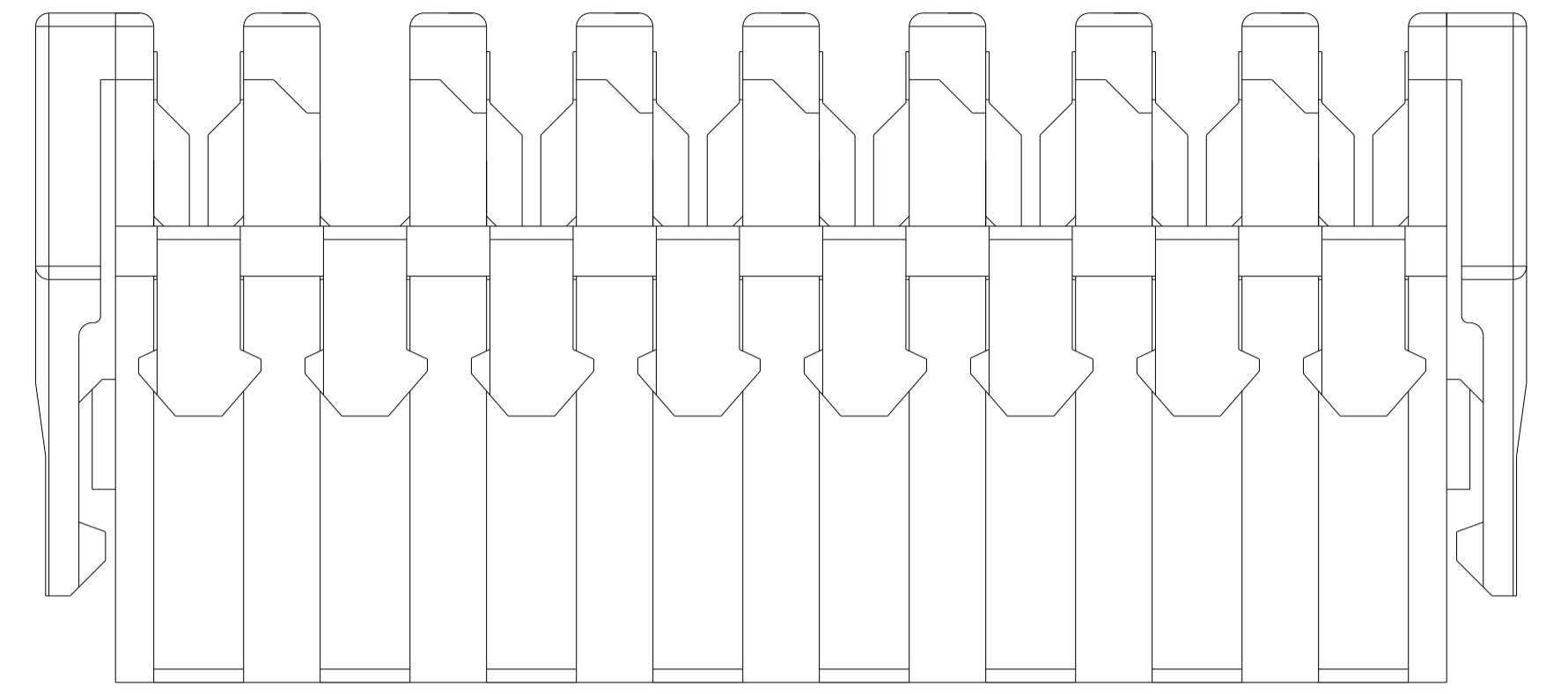
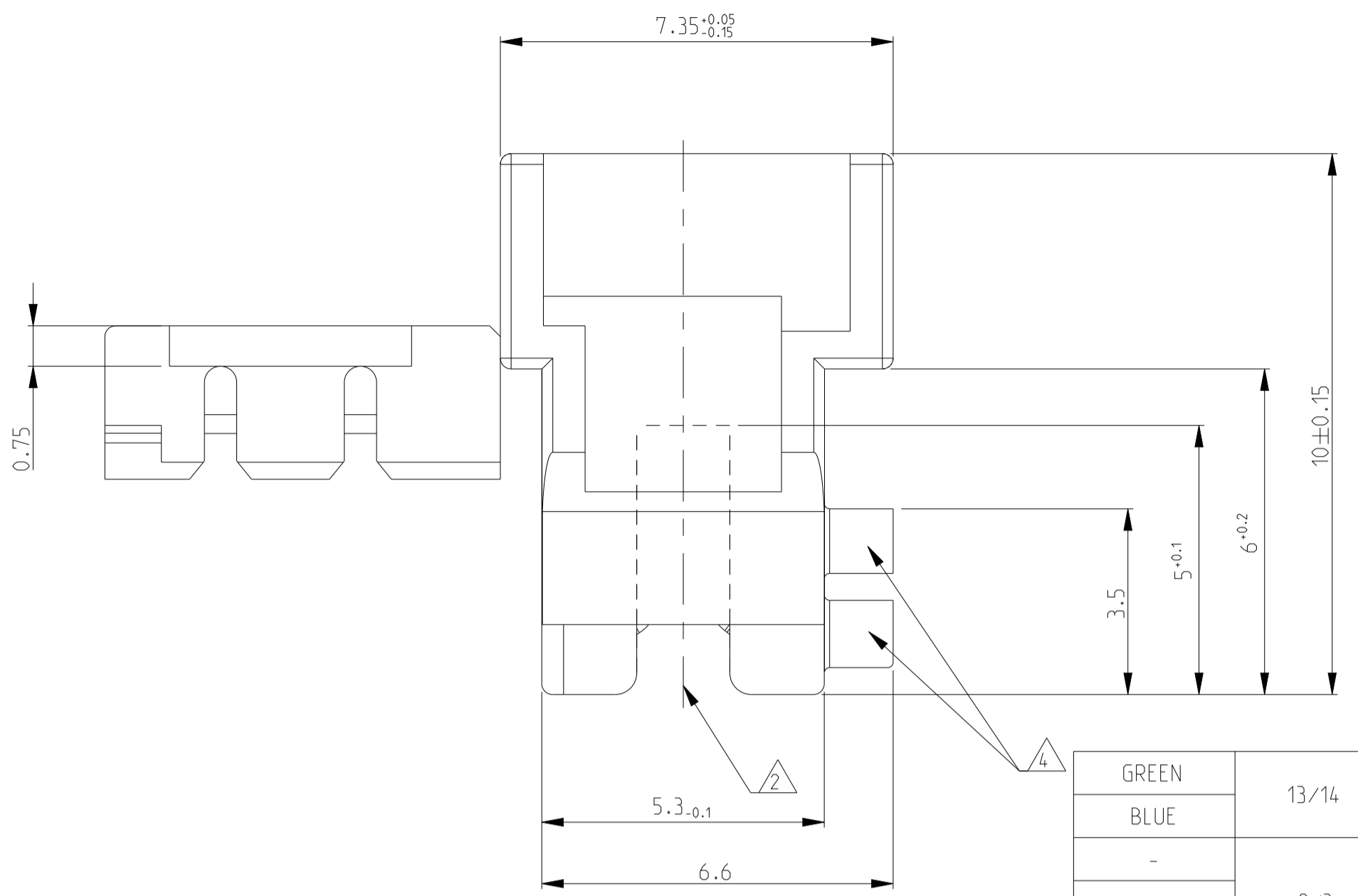
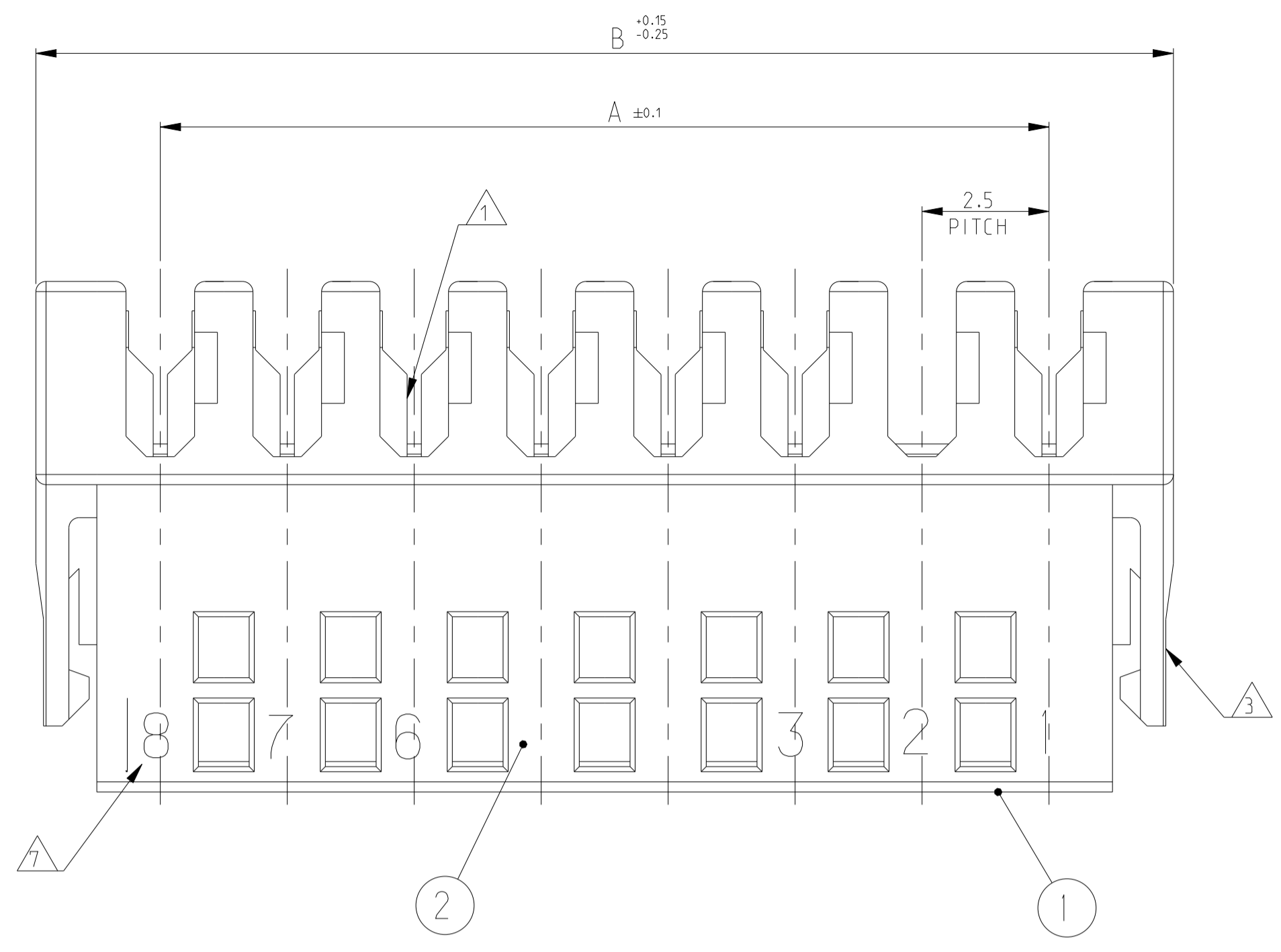


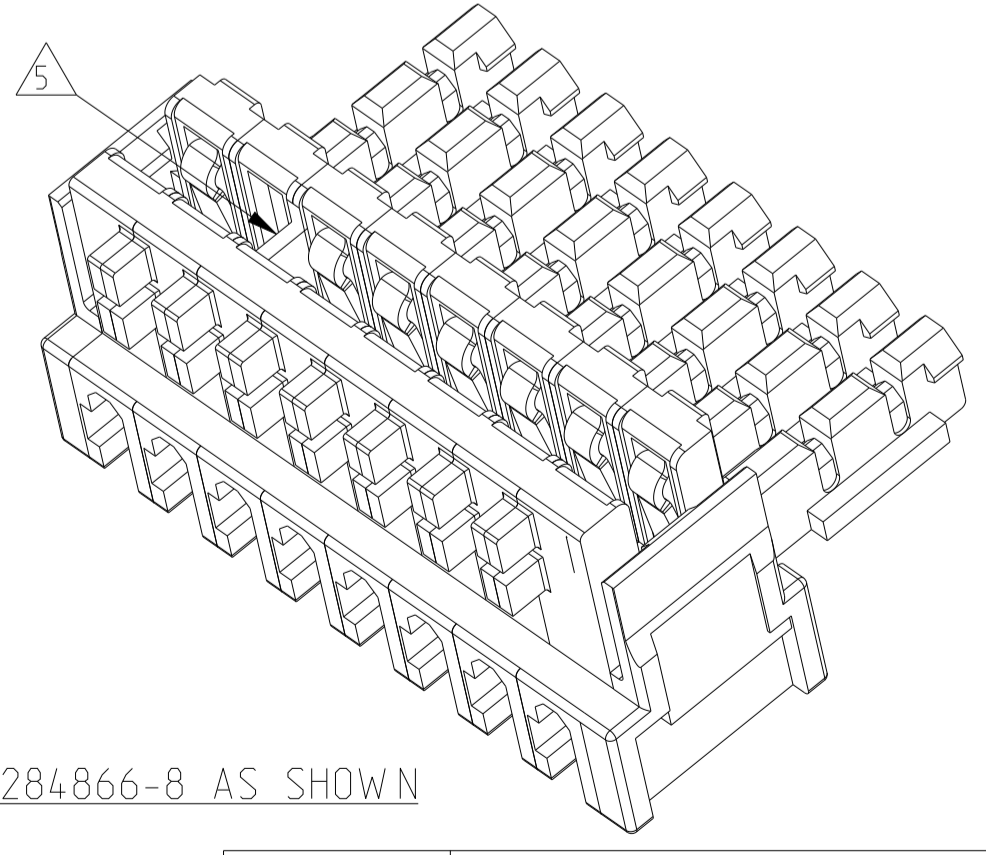
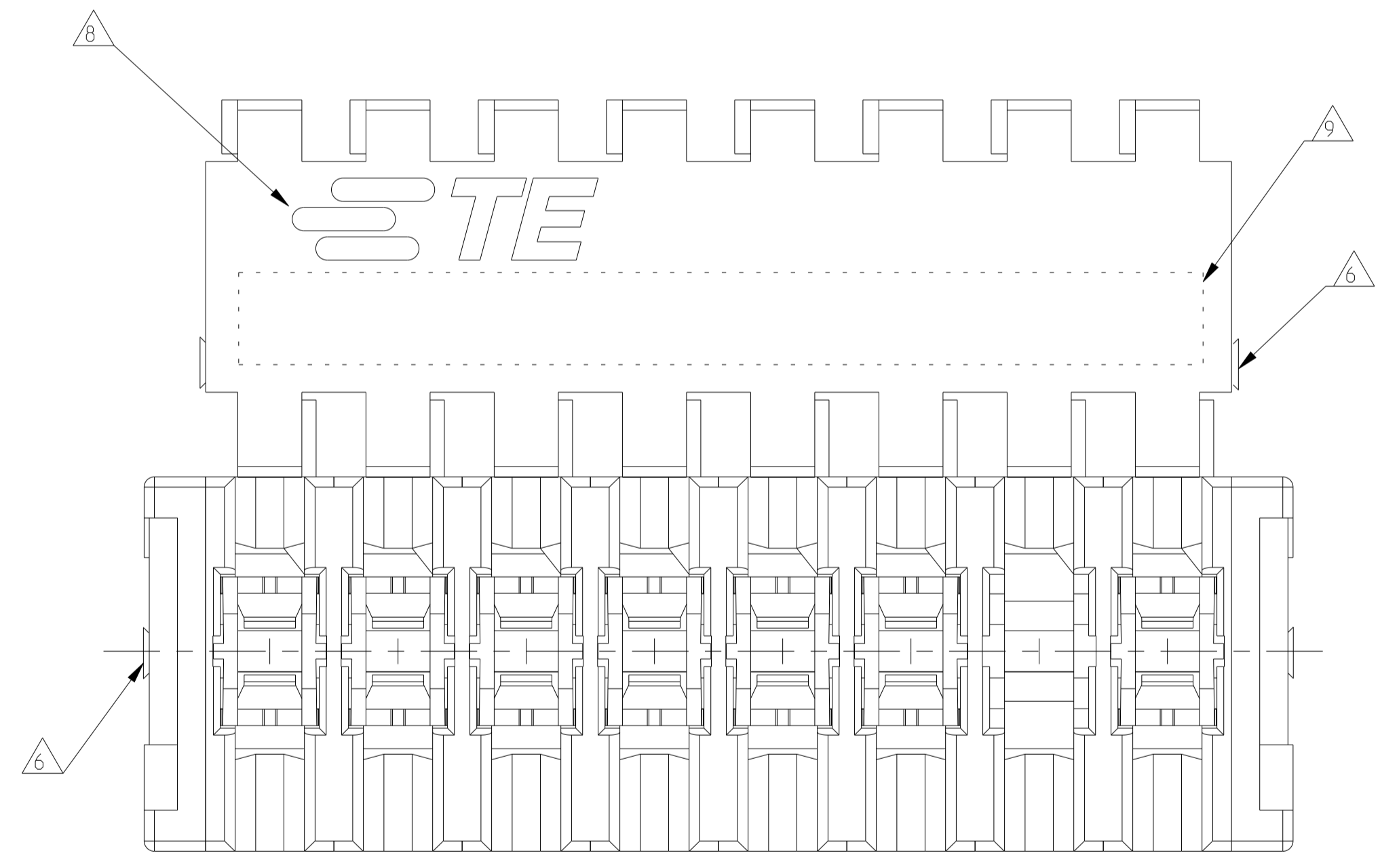
| REVISIONS | | | | |
|-----------|---------------|-------------|-----------|-------|
| P | LTN | DESCRIPTION | DATE | APPV |
| C8 | ECR-21-124485 | | 21DEC2021 | DC FL |
| C9 | ECR-22-125582 | | 04JAN2022 | DC FL |
| D | ECR-22-128794 | | 10FEB2022 | DC FL |
| D1 | ECR-22-134224 | | 04APR2022 | DC FL |



- 1 WIRE RANGE : STRANDED 0.22-0.35 mm² (INS. DIA. 1.30±0.1)
- 2 MATING PART: P.C.B. EDGE, DOUBLE SIDE, THK 1.5 (COPPER CLADDING INCLUDED)
- 3 SIDE LOCKING DEVICE
- 4 KEYING RIBS TO BE REMOVED BY TERMINATION MACHINE
- 5 POLARIZATION RIBS BETWEEN CAVITIES
- 6 CUT OFF DIMENSION DUE TO PRODUCTION PROCESS
- 7 CIRCUIT No. IDENTIFICATION
- 8 TE TRADEMARK (OPTIONAL POSITION)
- 9 TAMPOGRAPHIC COLOUR CODE AREA (P/Ns IDENTIFICATION BEFORE CRIMPING AREA)
- 10 FOR PCB LAYOUT, SEE SHEET 2 FOR CONNECTION VIEW LAYOUT, SEE SHEET 2
- 11 PRELIMINARY NOT YET RELEASED FOR PRODUCTION
- 12 PBT GF
- 13 PA GF, UL94-V0 & GWEPT 750 NO-FLAME, NATURAL
- 14 ALTERNATIVE RESIN PBT GF
- 15 PART RELEASED WITH PARTIAL VALIDATION AND PENDING AGENCY APPROVALS

OBSOLETE

| COLOUR CODE | POLARIZ. RIB POS. | CONTACT LOADING | HSG POS. | DIM.A | DIM.B | TE P/N | TE P/N | TE P/N |
|-------------|-------------------|--|----------|-------|-------|-----------------------|-------------|-------------|
| GREEN | 13/14 | SELECTIVELY 1,3,4,6,8,9,10,11,12,13,14 | 14 | 32.5 | 37.4 | 5-284866-4 | 1-2311508-4 | 5-2402732-4 |
| BLUE | | SELECTIVELY 1,3,4,6,11,12,13,14 | | | | 1-284866-4 | 2311508-4 | 1-2402732-4 |
| - | | SELECTIVELY 1,2,5,6,8,10,11,13 | | | | 4-284866-3 | - | 4-2402732-3 |
| - | 2/3 | SELECTIVELY 3,4,5,6,8,10,11,13 | 13 | 30.0 | 34.9 | 3-284866-3 | - | 3-2402732-3 |
| - | | SELECTIVELY 1,2,3,4,5,6,8,10,11,13 | | | | 5-284866-3 | - | 5-2402732-3 |
| BLUE | 2/3 | SELECTIVELY 1,3,4,6,7,9,11,12 | 12 | 27.5 | 32.4 | 1-284866-2 | 2311508-2 | 1-2402732-2 |
| BLACK | 2/3 | SELECTIVELY 1,3,5,6,7,8,9,10 | 10 | 22.5 | 27.4 | 2-284866-0 | - | 2-2402732-0 |
| BLUE | 2/3 | SELECTIVELY 1,2,3,4,5,6,7,8,10 | | | | 1-284866-0 | - | - |
| - | 2/3 | SELECTIVELY 1,3,5,7,9 | | | | - | 9-2311507-9 | - |
| - | 7/8 | SELECTIVELY 1,2,4,6,8,9 | | | | 2336596-9 | - | - |
| GRAY | 3/4 | SELECTIVELY 1,3,4,6,8,9 | | | | 7-284866-9 | 8-2311507-9 | 7-2402732-9 |
| RED | 4/5 | SELECTIVELY 1,2,4,6,8,9 | | | | 8-284866-9 | 7-2311507-9 | 8-2402732-9 |
| - | | SELECTIVELY 1,2,4,6,8,9 | | | | 9-284866-9 | / | 9-2402732-9 |
| GREEN | | SELECTIVELY 1,2,4,6,7,9 | 9 | 20.0 | 24.9 | 1-284866-9 | 6-2311507-9 | 1-2402732-9 |
| BLACK | | SELECTIVELY 1,3,5,7,8,9 | | | | 6-284866-9 | 5-2311507-9 | 6-2402732-9 |
| ORANGE | 2/3 | SELECTIVELY 1,2,3,5,7,9 | | | | 5-284866-9 | 4-2311507-9 | 5-2402732-9 |
| ORANGE | | SELECTIVELY 1,3,4,6,8,9 | | | | 4-284866-9 | 3-2311507-9 | 4-2402732-9 |
| RED | | SELECTIVELY 1,3,5,6,7,9 | | | | 3-284866-9 | 2-2311507-9 | 3-2402732-9 |
| GREEN | | SELECTIVELY 1,3,4,5,6,7,8,9 | | | | 2-284866-9 | 1-2311507-9 | 2-2402732-9 |
| BLUE | | SELECTIVELY 1,3,4,6,7,9 | | | | 0-284866-9 | 2311507-9 | 2402732-9 |
| - | | SELECTIVELY 1,3,5,6,8 | | | | 6-284866-8 | - | 6-2402732-8 |
| - | | SELECTIVELY 5,6,7 | | | | 5-284866-8 | - | 5-2402732-8 |
| BROWN | 2/3 | SELECTIVELY 1,2,3,4,6,8 | 8 | 17.5 | 22.4 | 4-284866-8 | 3-2311507-8 | 4-2402732-8 |
| RED | | SELECTIVELY 1,3,5,6,7,8 | | | | 3-284866-8 | 2-2311507-8 | 3-2402732-8 |
| GREEN | | SELECTIVELY 1,3,4,5,6,7,8 | | | | 2-284866-8 | 1-2311507-8 | 2-2402732-8 |
| BLUE | | SELECTIVELY 1,3,4,6,7,8 | | | | 0-284866-8 | 2311507-8 | 2402732-8 |
| BLUE | 2/3 | SELECTIVELY 1,3,5,7 | 7 | 15.0 | 19.9 | 1-284866-7 | 1-2311507-7 | 1-2402732-7 |
| BLUE | | SELECTIVELY 1,3,5,6,7 | | | | 0-284866-7 | 2311507-7 | 2402732-7 |
| - | 4/5 | SELECTIVELY 1,3,4,6 | | | | 5-284866-6 | - | 5-2402732-6 |
| BLACK | 2/3 | SELECTIVELY 1,3,4,6 | 6 | 12.5 | 17.4 | 4-284866-6 | 2-2311507-6 | 4-2402732-6 |
| GREEN | 4/5 | SELECTIVELY 1,2,4,6 | | | | 2-284866-6 | 1-2311507-6 | 2-2402732-6 |
| BLUE | 2/3 | SELECTIVELY 1,3,5,6 | | | | 0-284866-6 | 2311507-6 | 2402732-6 |
| - | 2/3 | SELECTIVELY 1,3,5 | | | | - | 4-2311507-5 | - |
| ORANGE | 1/2 | SELECTIVELY 3,4,5 | | | | 4-284866-5 | 3-2311507-5 | 4-2402732-5 |
| GREEN | | SELECTIVELY 1,2,3,5 | 5 | 10.0 | 14.9 | 3-284866-5 | 2-2311507-5 | 3-2402732-5 |
| BLUE | 3/4 | SELECTIVELY 1,3,4,5 | | | | 2-284866-5 | 1-2311507-5 | 2-2402732-5 |
| RED | 2/3 | SELECTIVELY 2,4 | | | | 0-284866-5 | 2311507-5 | 2402732-5 |
| GREEN | N/A | SELECTIVELY 1,2,4 | 4 | 7.5 | 12.4 | 2-284866-4 | 2311507-4 | 2-2402732-4 |
| GREEN | 1/2 | SELECTIVELY 1,3 | | | | 2-284866-3 | 1-2311507-3 | 2-2402732-3 |
| BLUE | - | SELECTIVELY 1,3 | 3 | 5.0 | 9.9 | 1-284866-3 | - | 1-2402732-3 |
| BLUE | 2/3 | SELECTIVELY 1,3 | | | | 0-284866-3 | 2311507-3 | 2402732-3 |



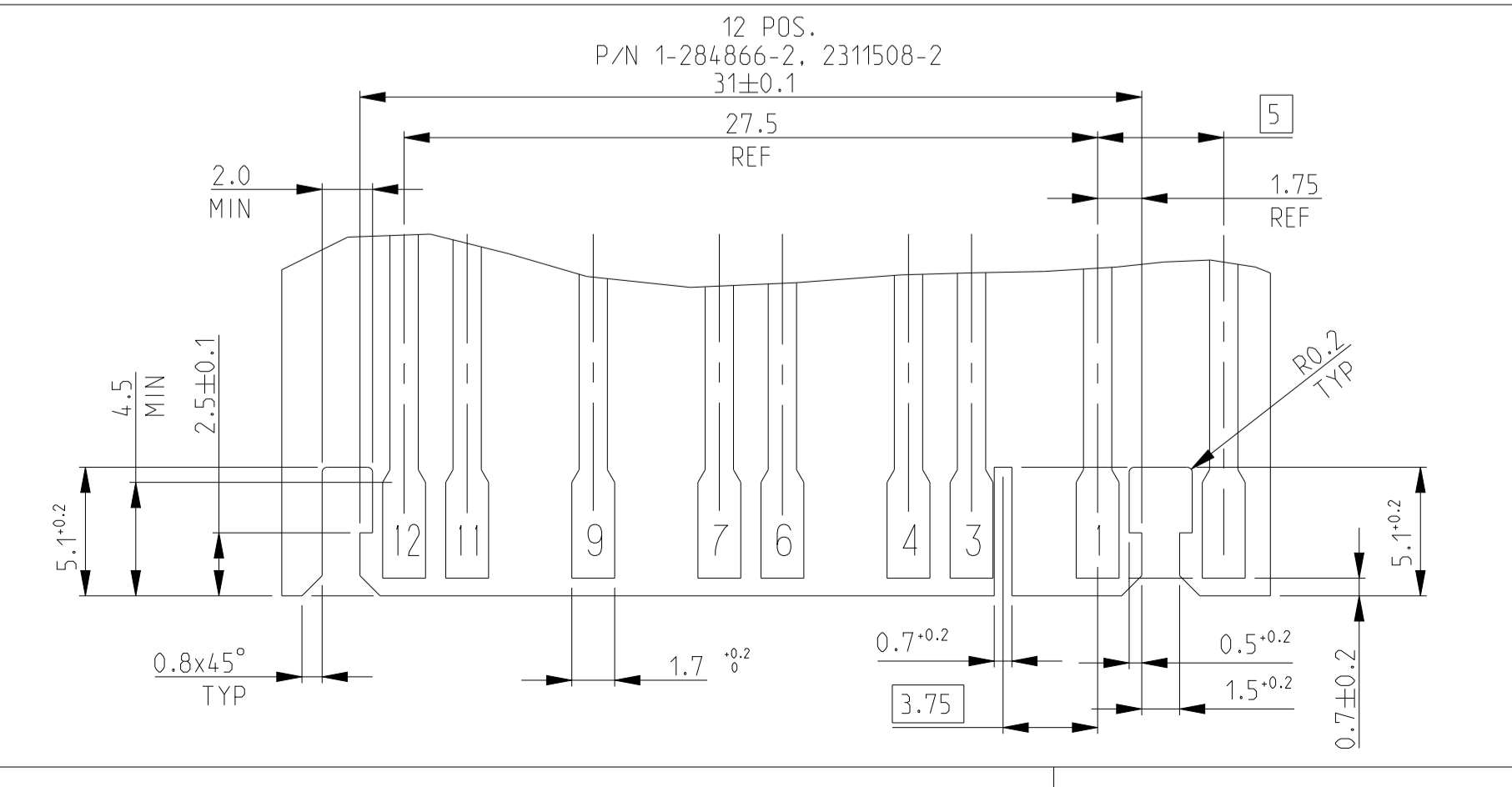
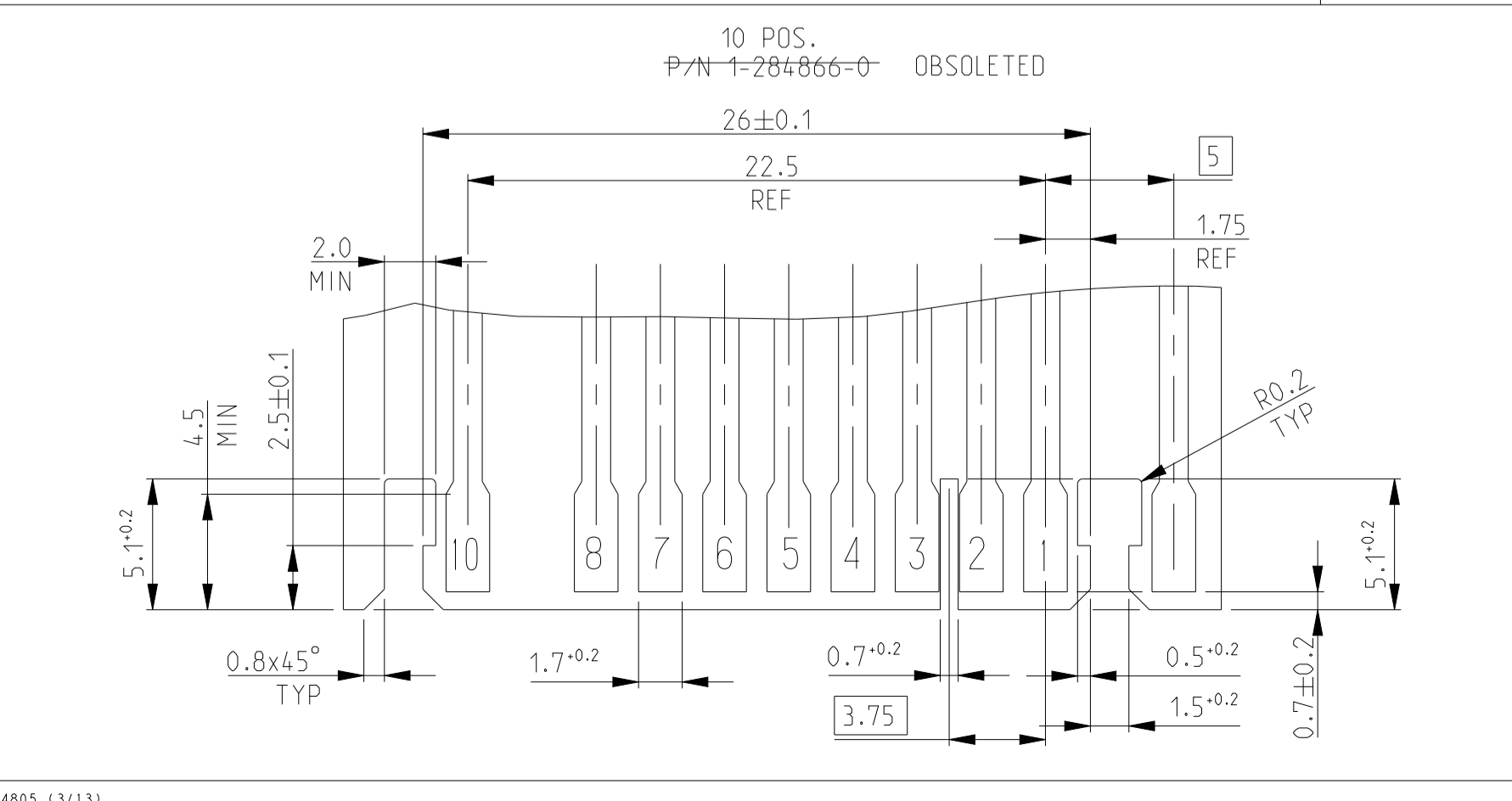
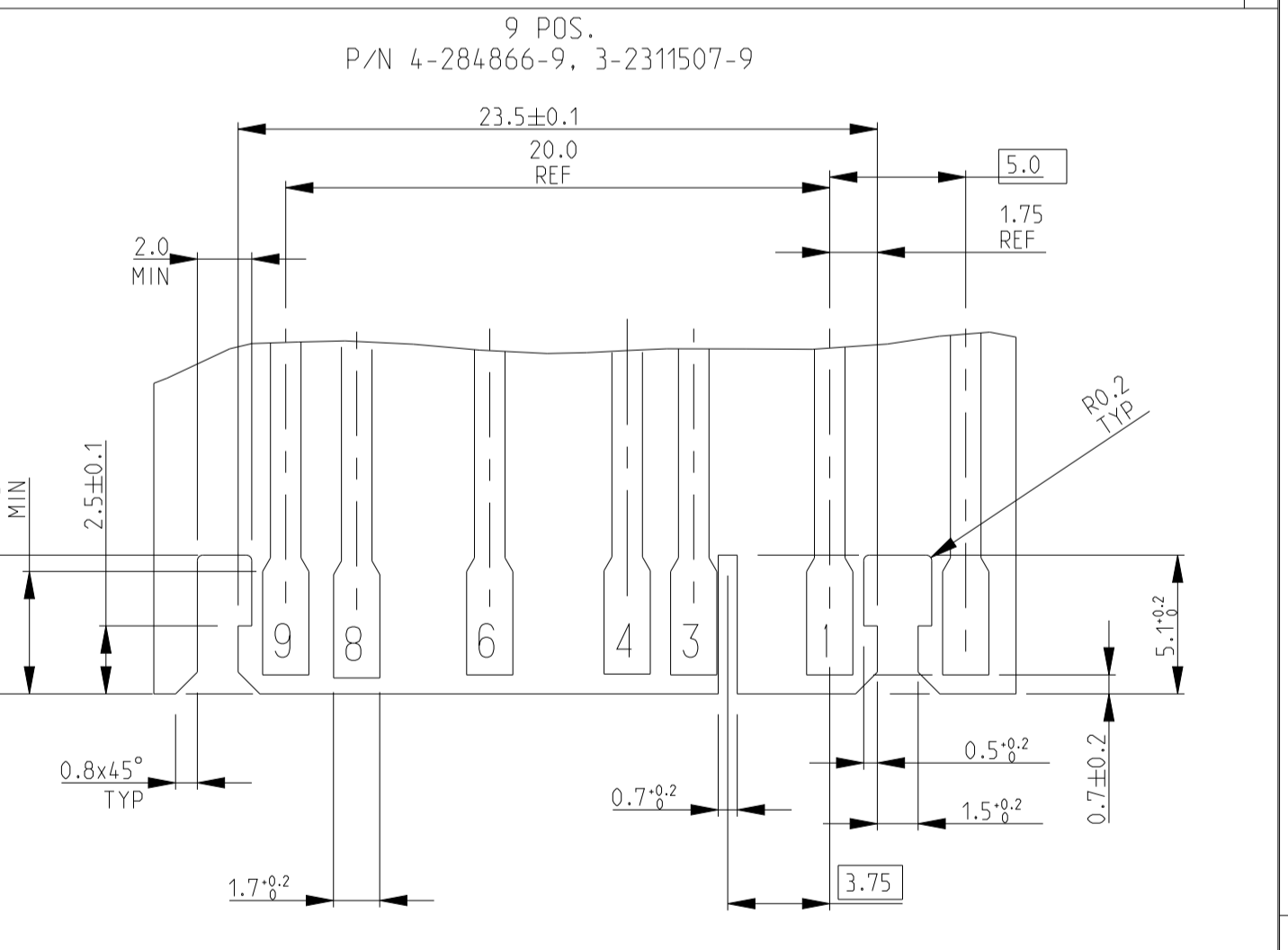
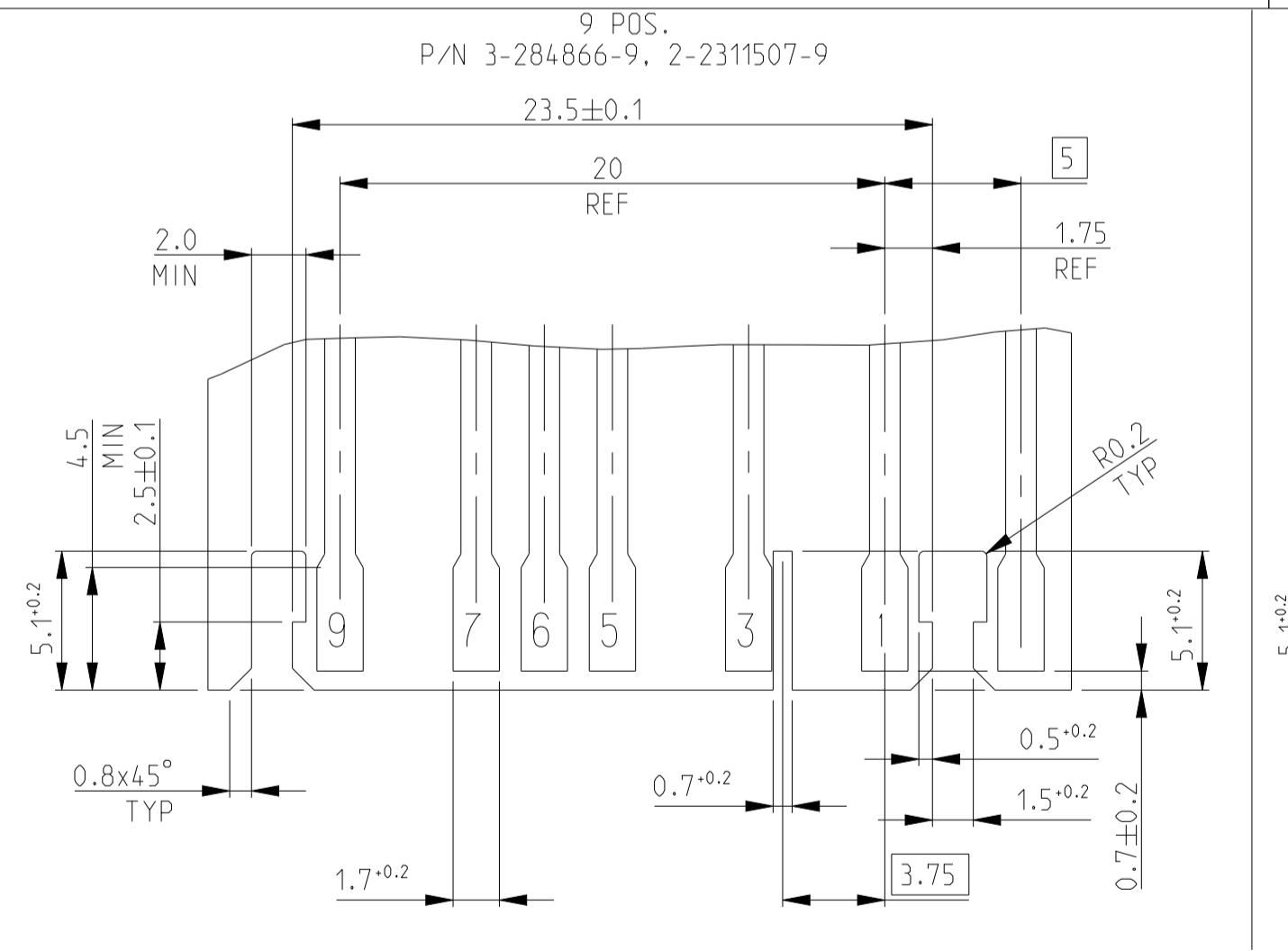
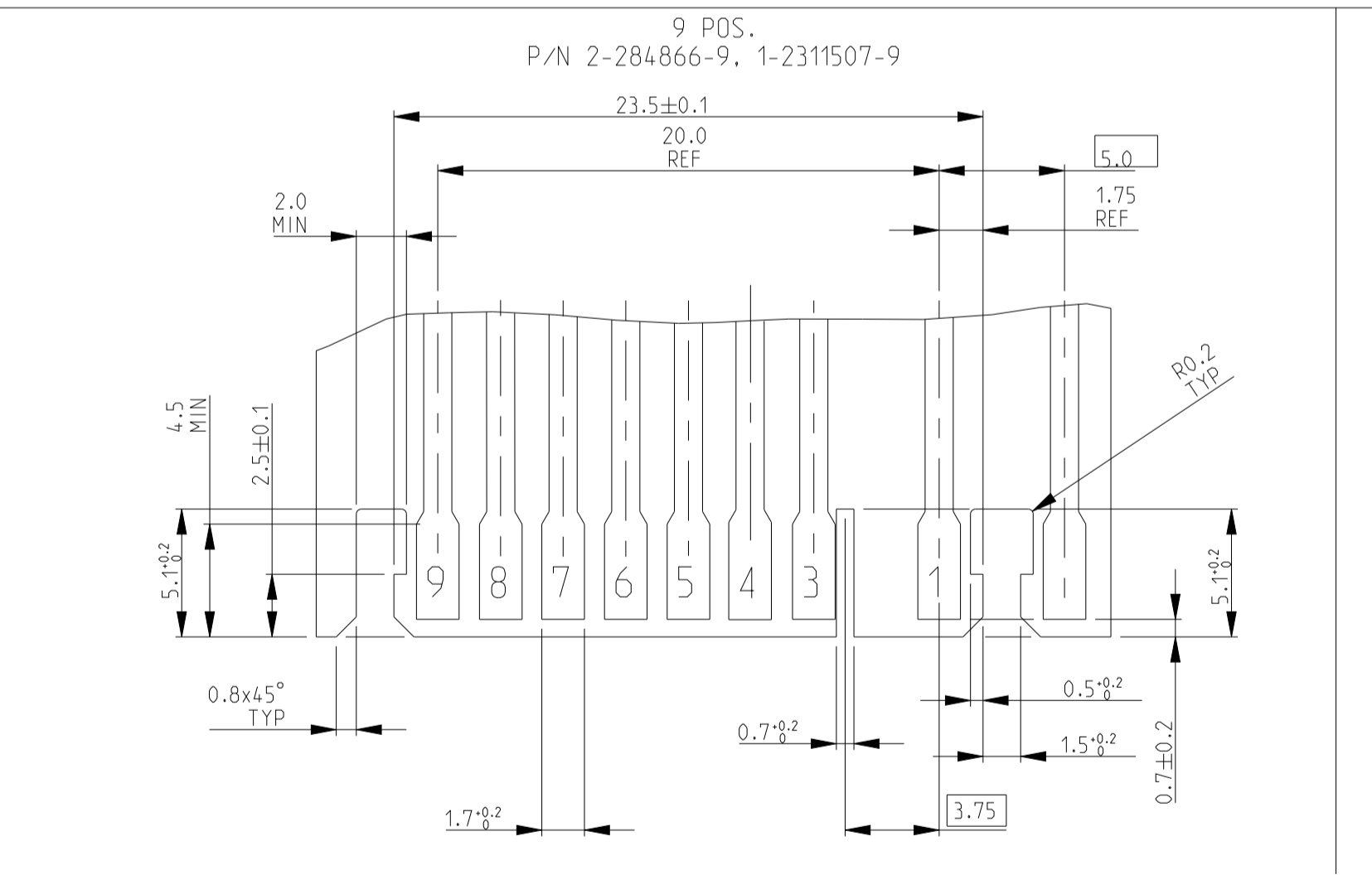
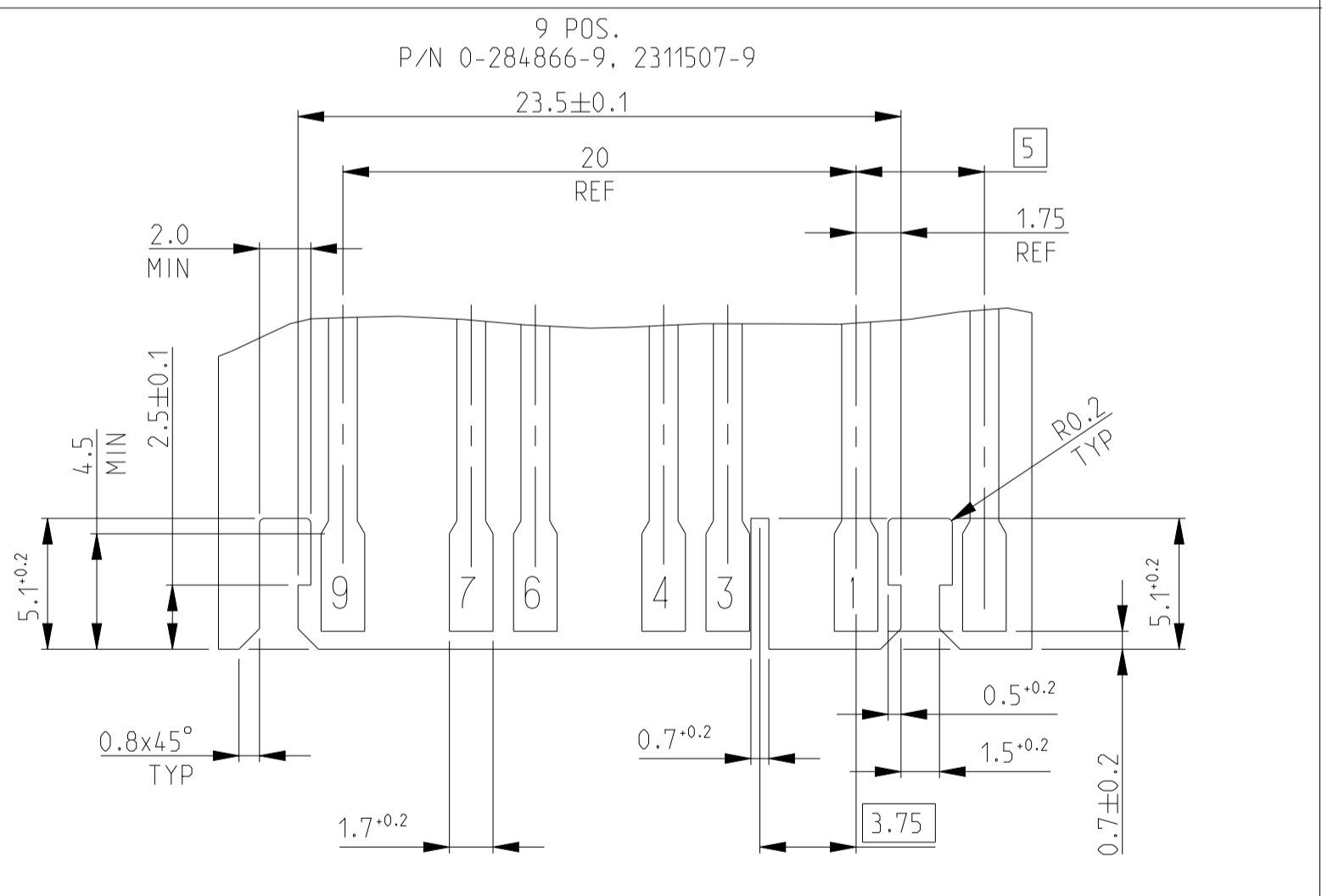
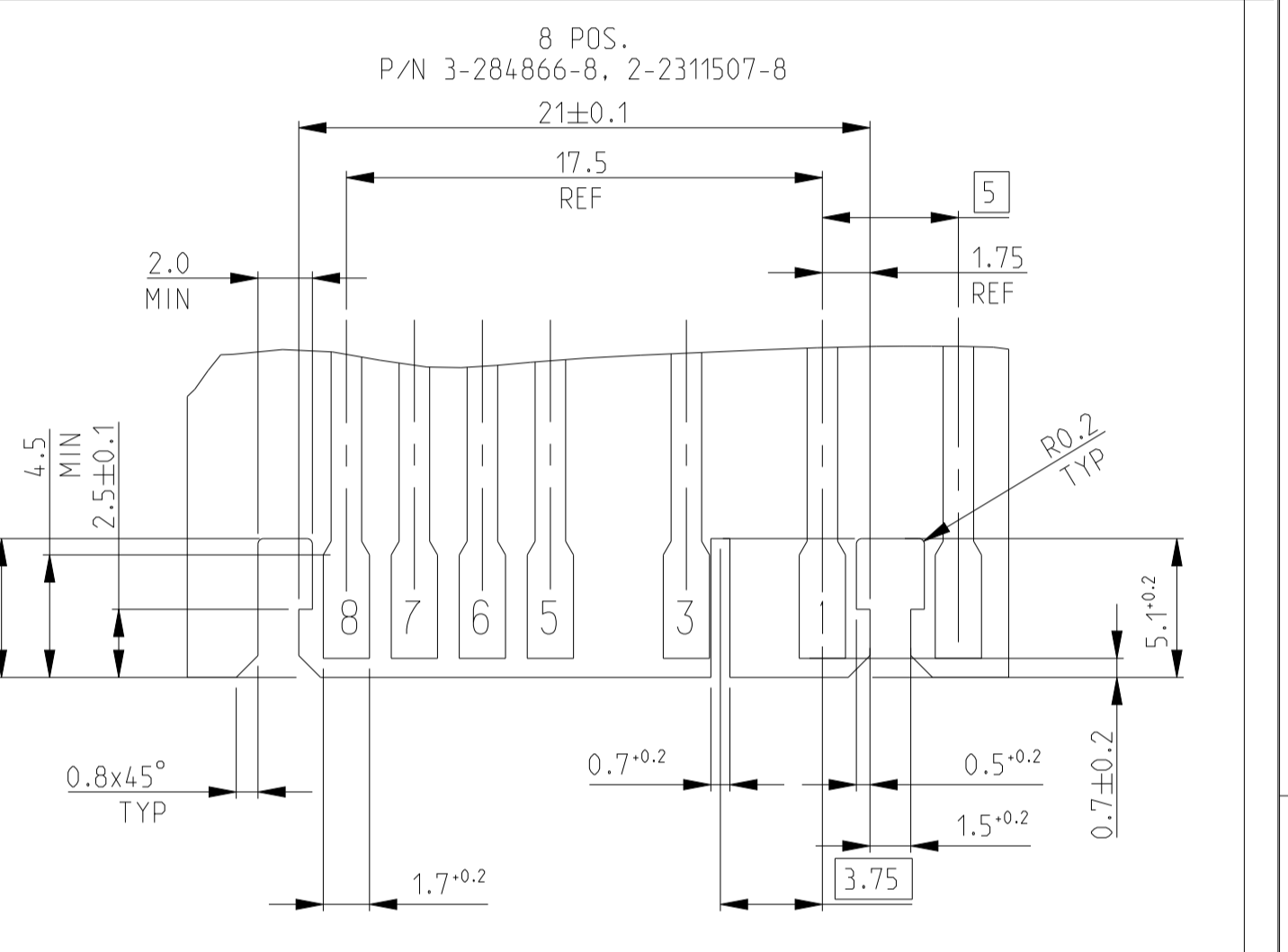
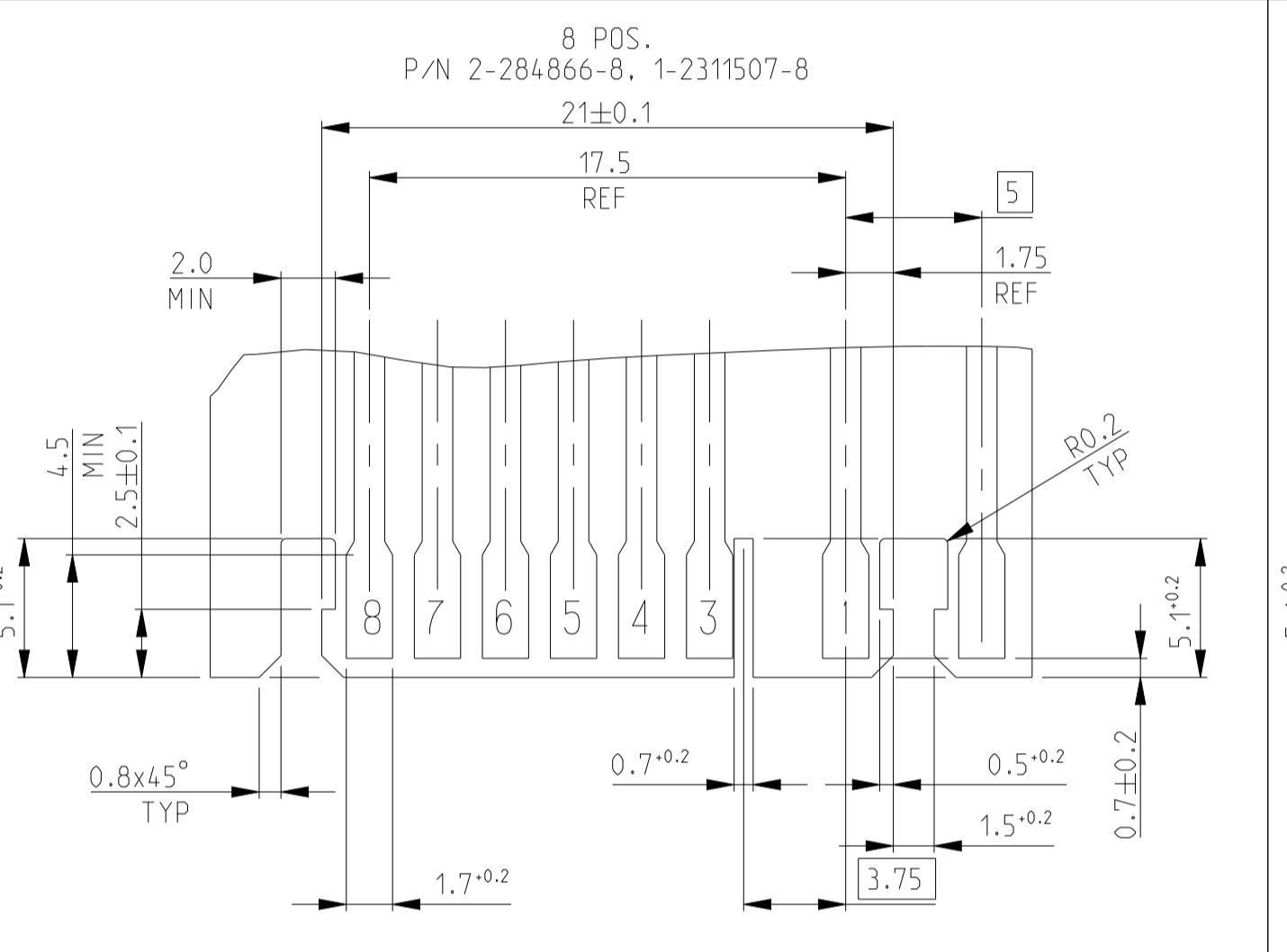
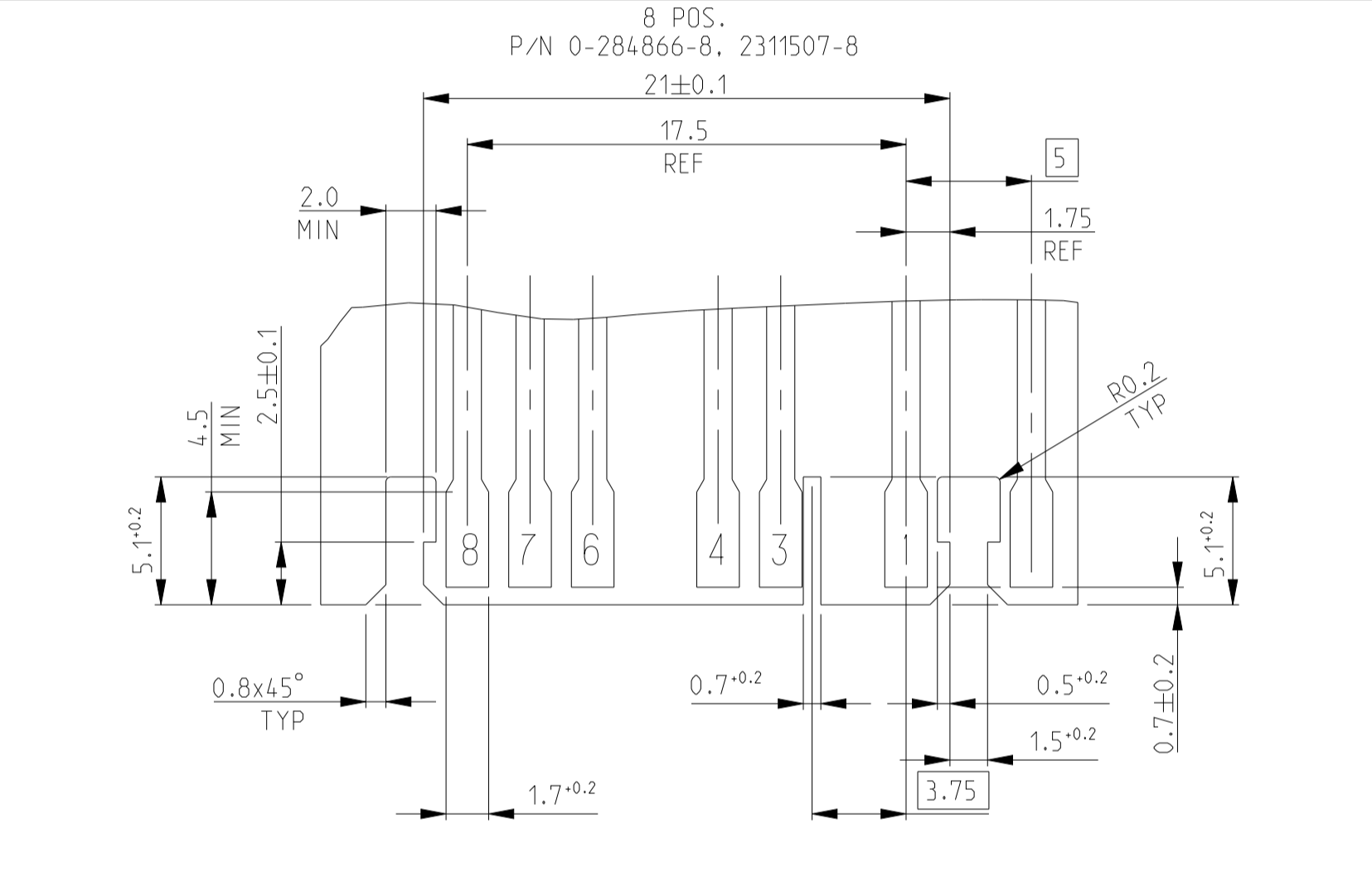
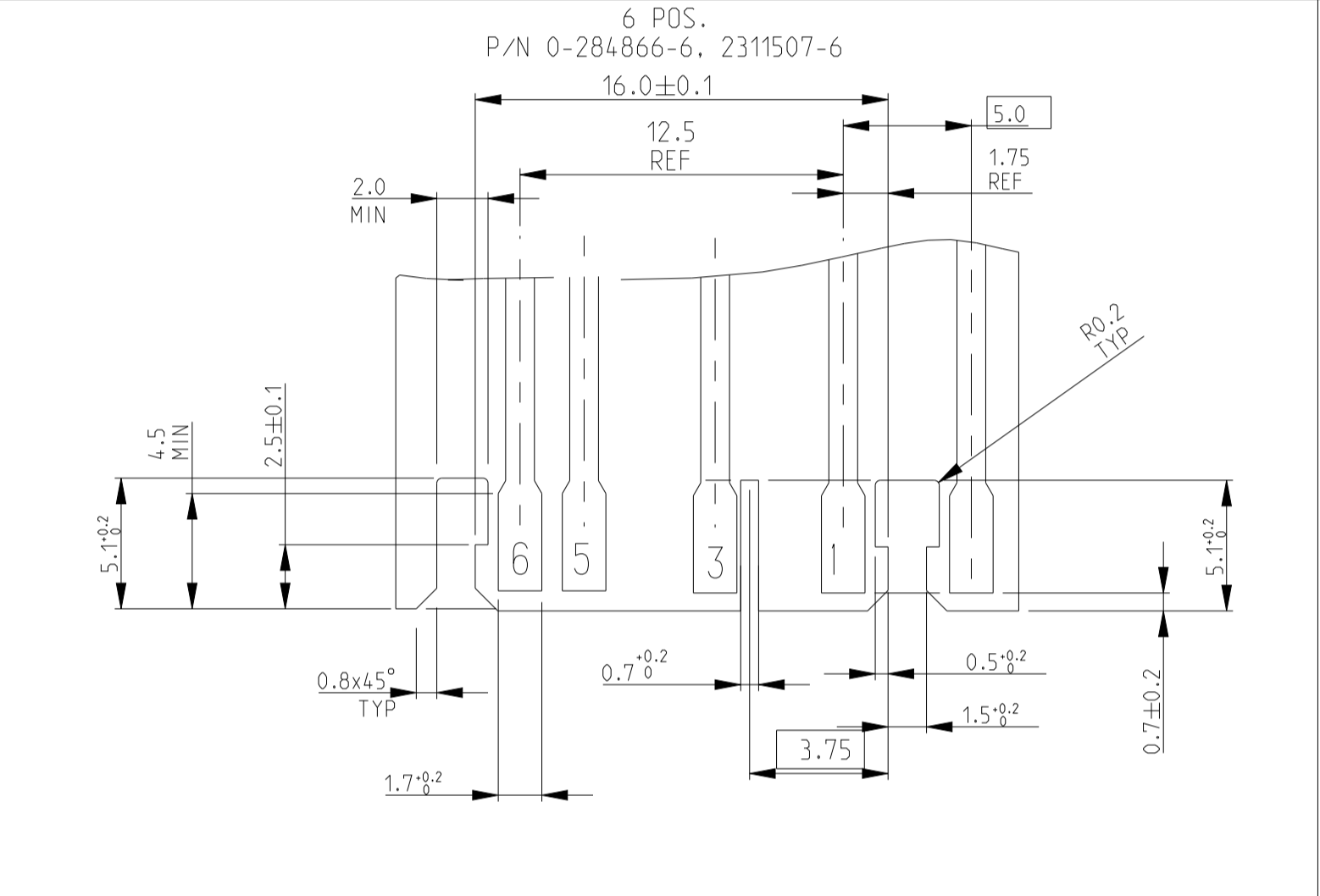
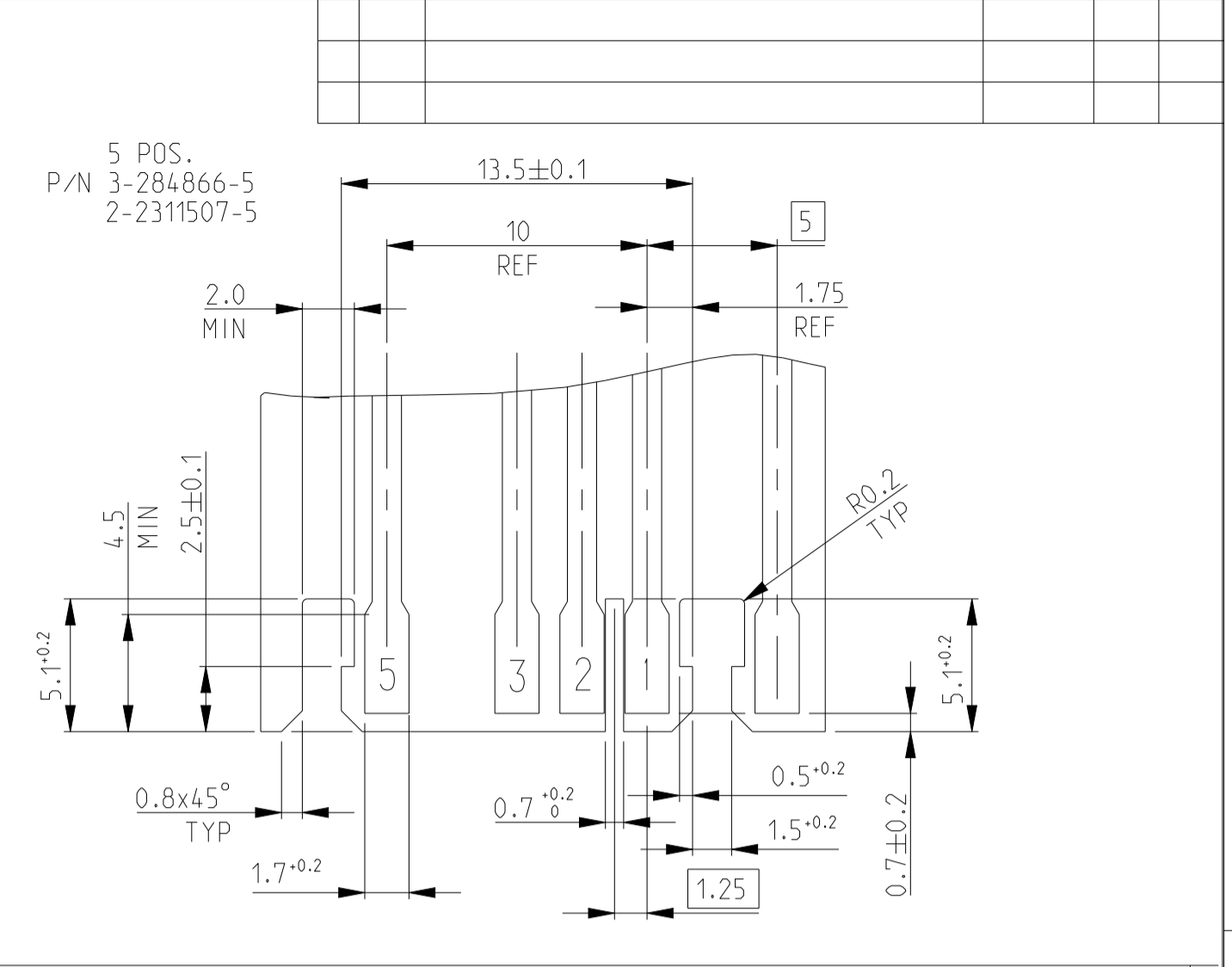
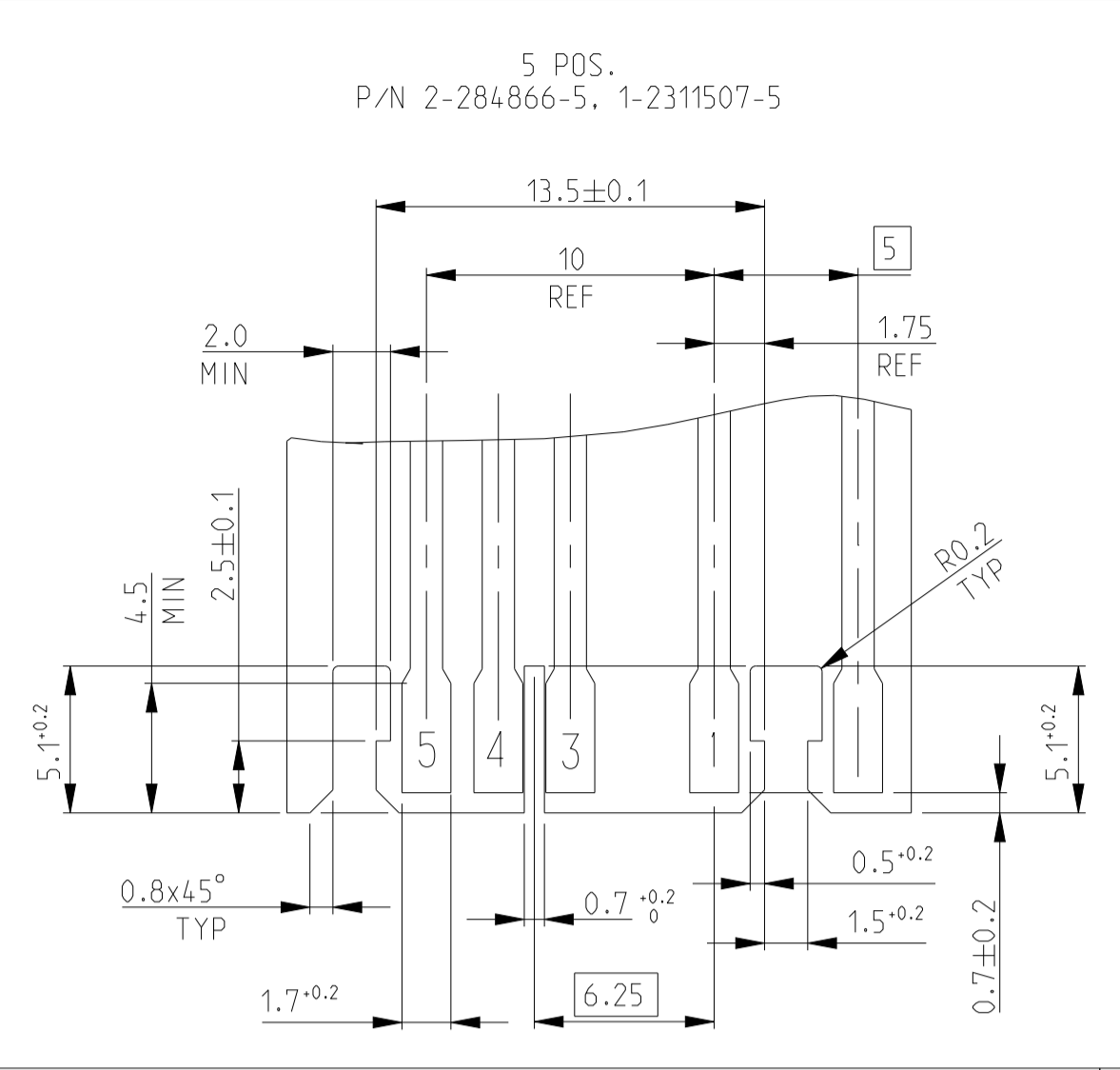
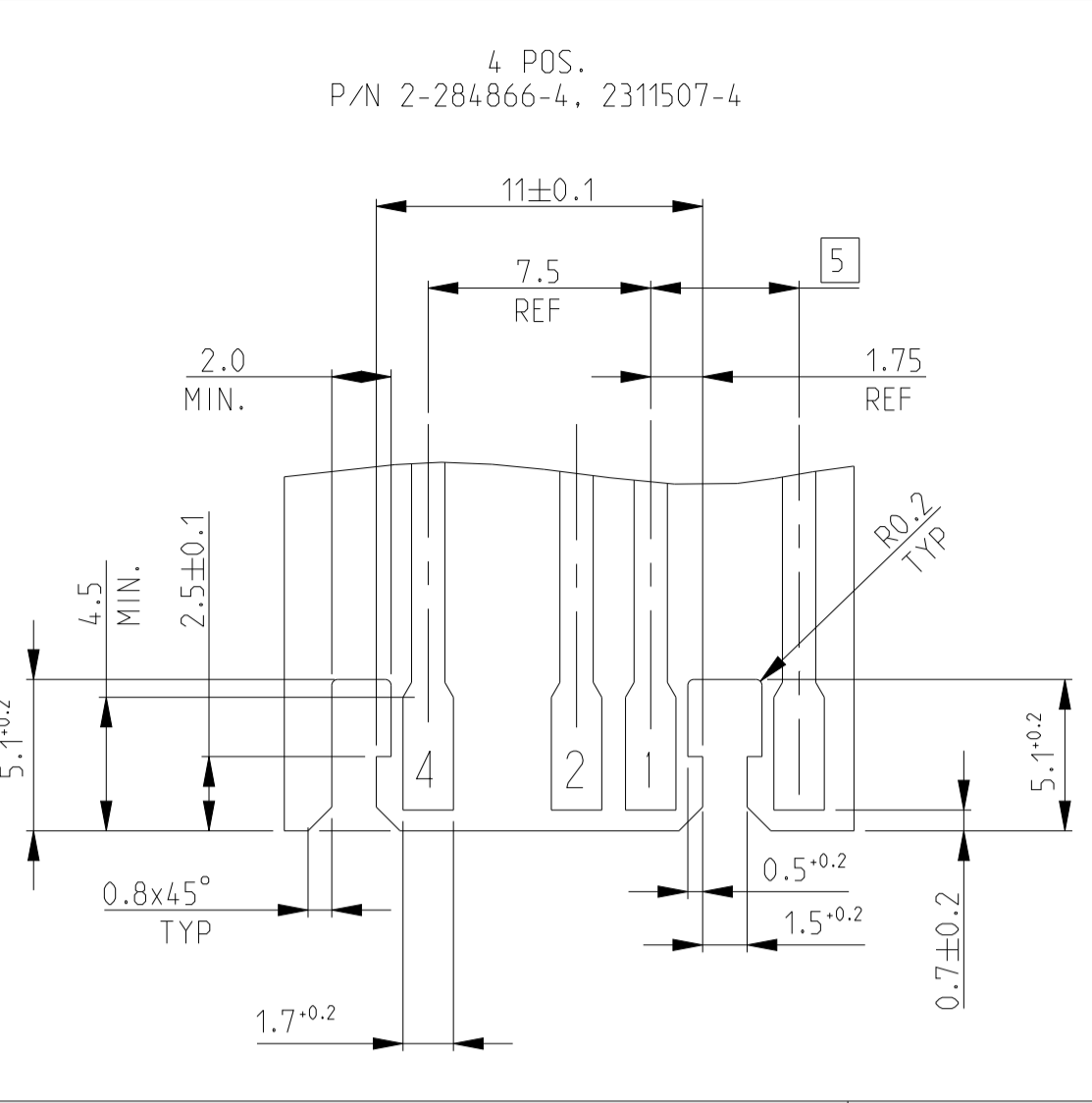
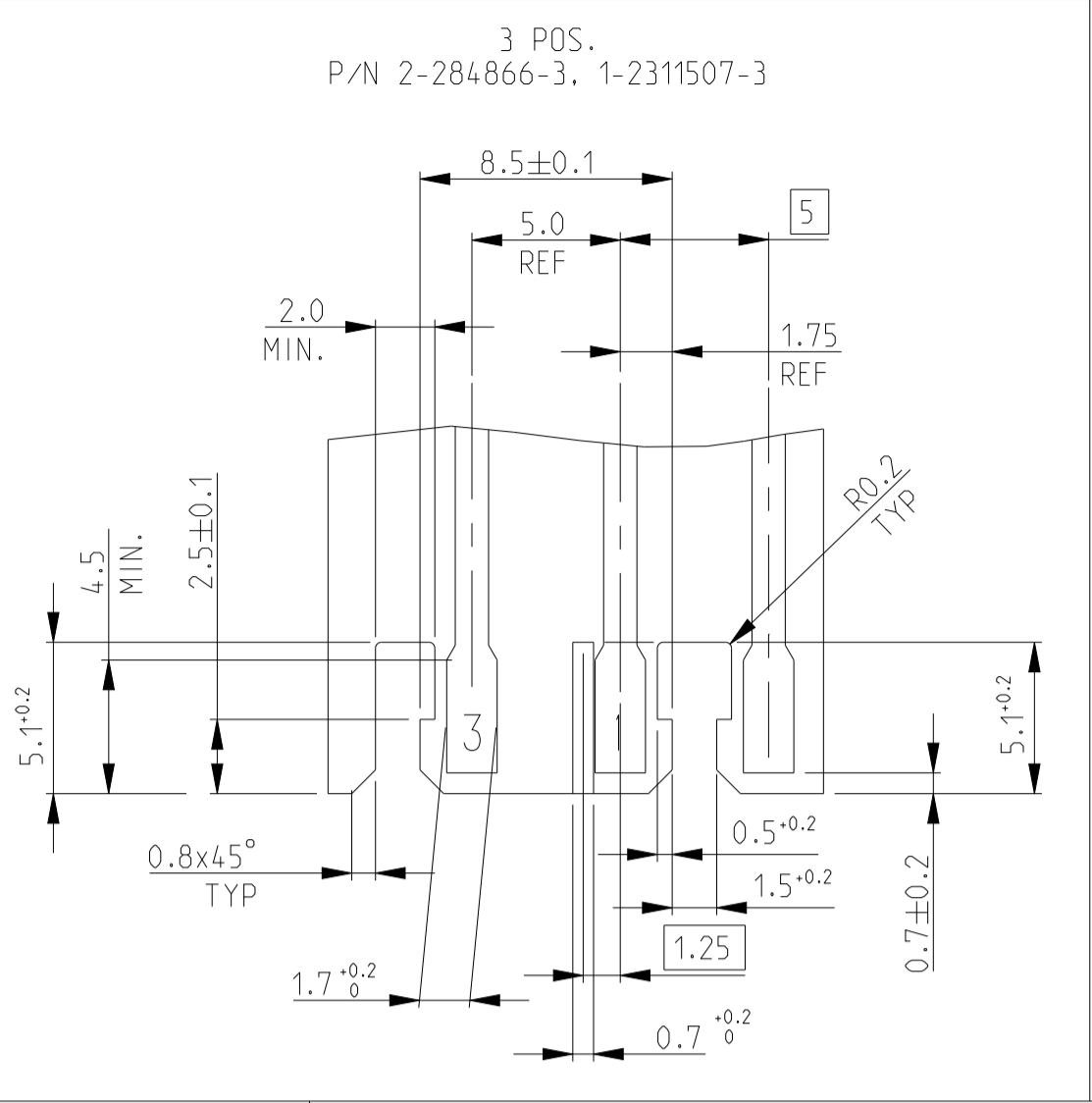
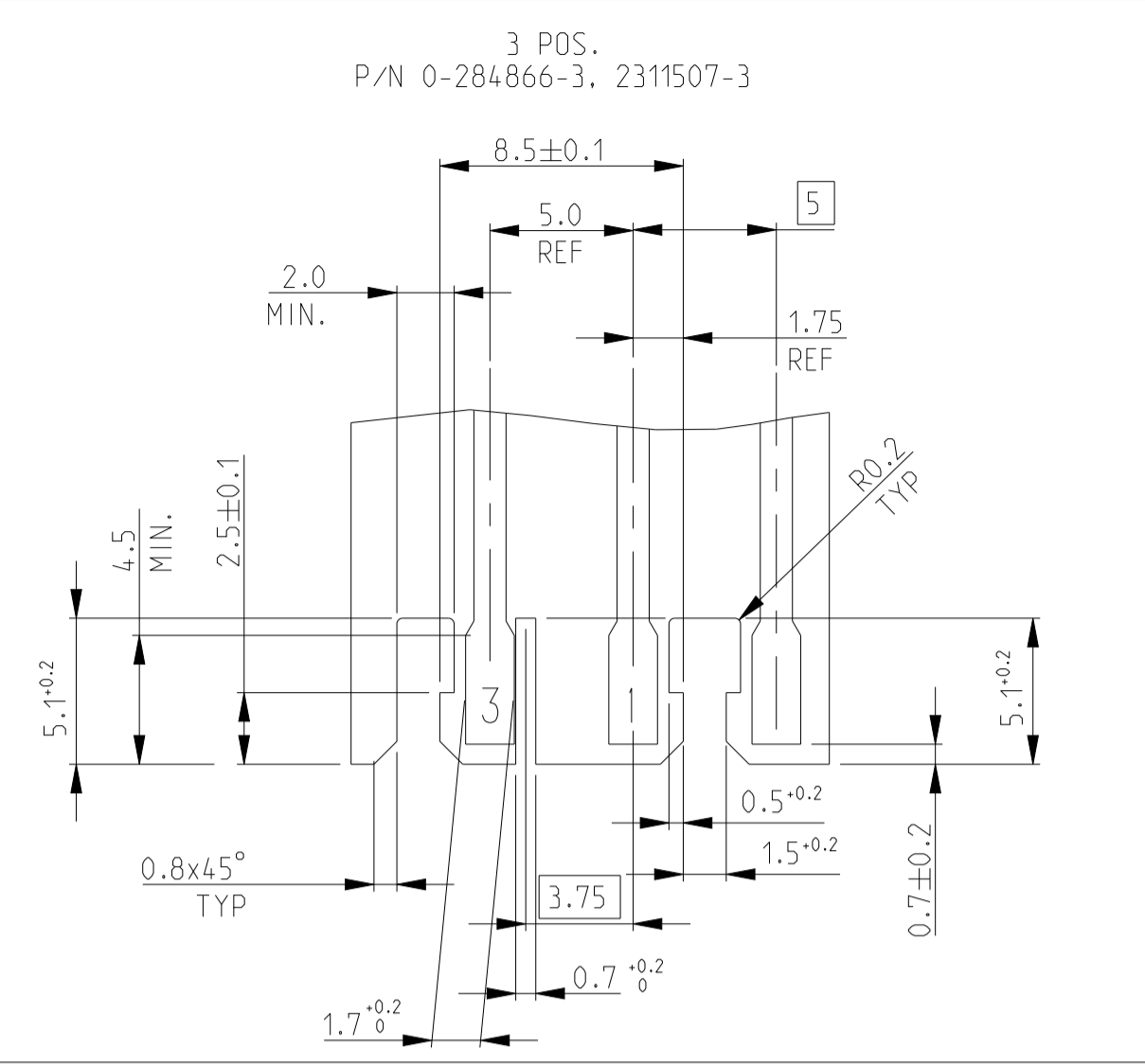
P/N 2-284866-8 AS SHOWN

| | | | | | | | | | |
|------------------------------------|------------------------|---|------|--|--|------------------|-------------|--|--|
| SEE TABLE | PH. BRONZE, TIN PLATED | IDC RECEPTACLE CONTACT | 2 | THIS DRAWING IS A CONTROLLED DOCUMENT. | | OWN R. FABRIS | 03JUL2002 | TE Connectivity | |
| Q.TY | MATERIAL | DESCRIPTION | ITEM | DIMENSIONS: mm | TOLERANCES UNLESS OTHERWISE SPECIFIED: | APV'D | 108-20238 | DUOPLUG 2.5 FEMALE CONN. SIDE LOCKING, KEYED (SELECTIVELY LOADED CONTACTS) | |
| 1 | | REVISIONE DELL'ASSEMBLATO (REVISION OF EACH ASSY NOI) | | | | 116-18049-1 | 116-18049-1 | A1 00779 C=284866 | |
| ELENCO DEI COMPONENTI (PARTS LIST) | | | | MATERIAL SEE TABLE | SEE TABLE | CUSTOMER DRAWING | | SCALE 10:1 SHEET 1 OF 5 REV 01 | |

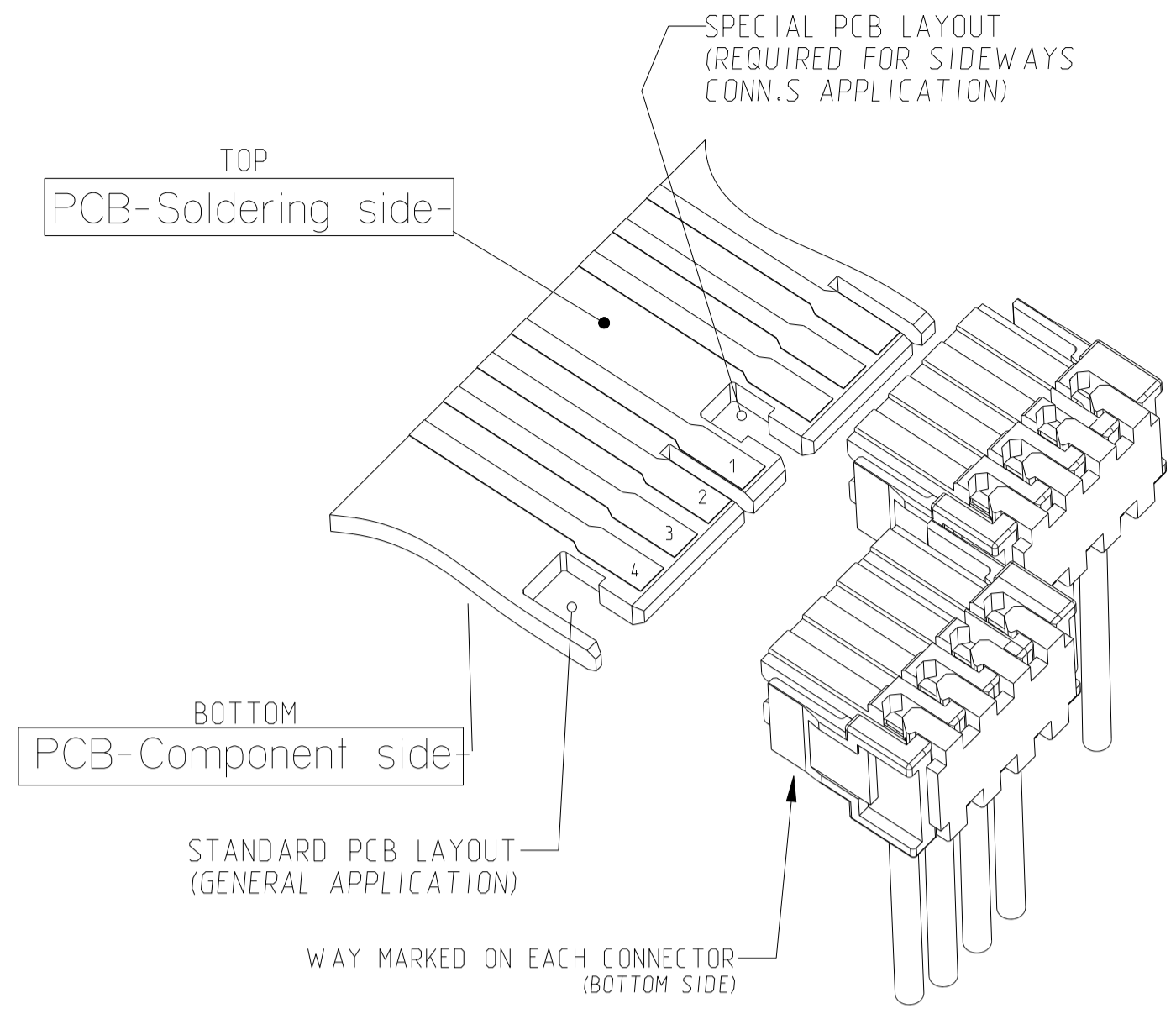
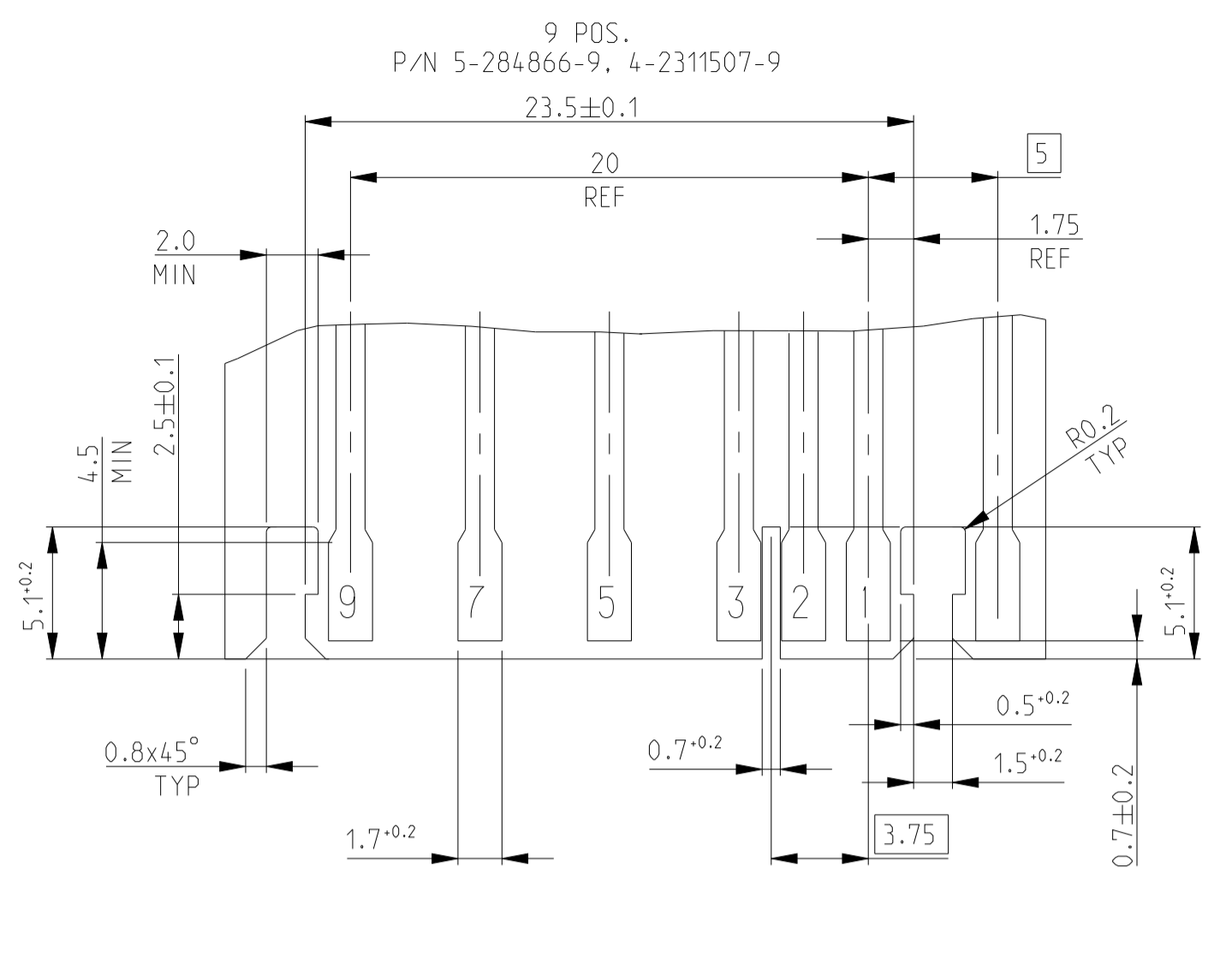
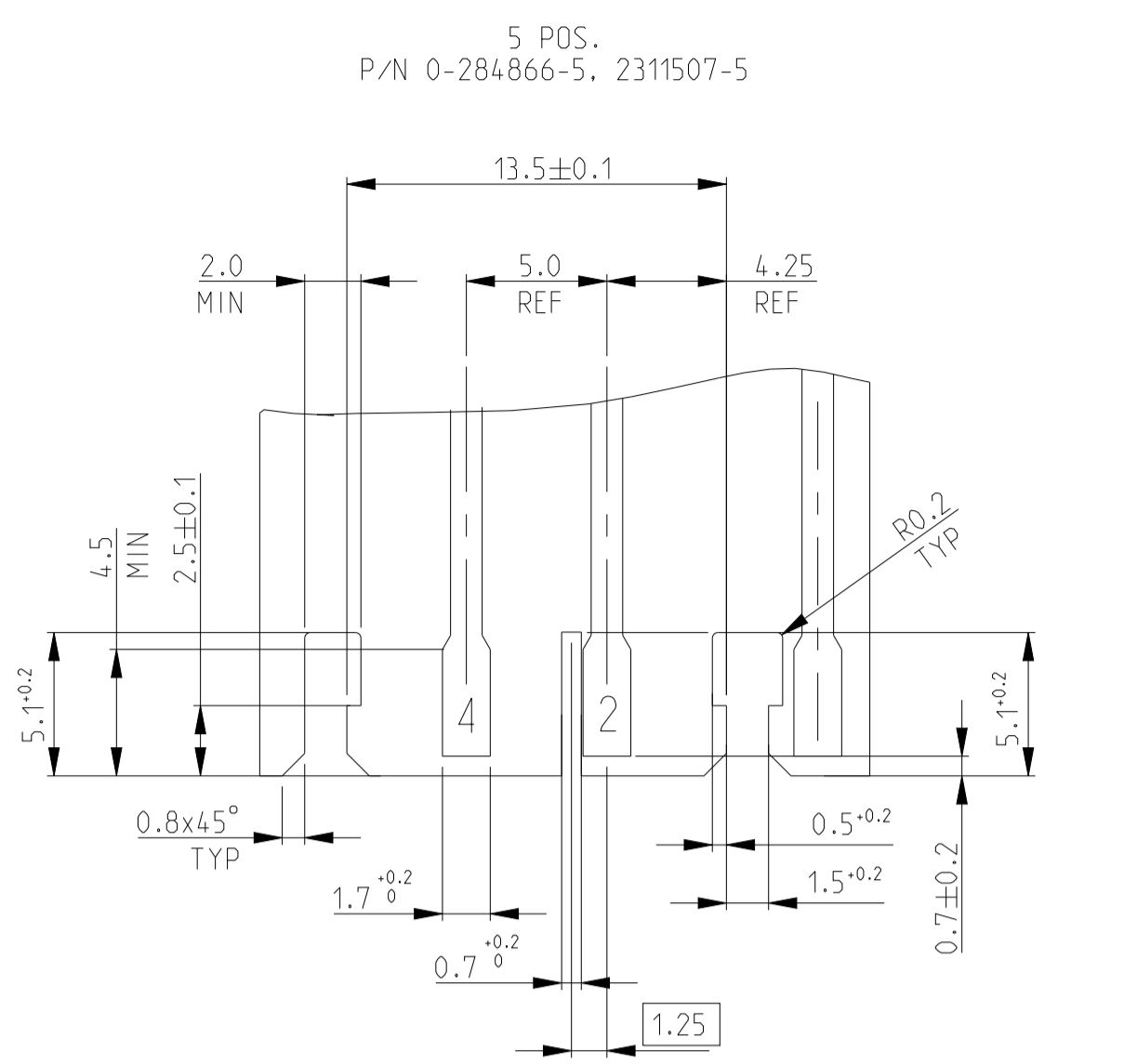
PCB LAYOUT -Soldering side-

(SCALE 4:1)

| REVISIONS | | | | |
|-----------|-----|-------------|------|----------|
| P | LTN | DESCRIPTION | DATE | OWN APVD |
| - | - | SEE SHEET 1 | - | - |

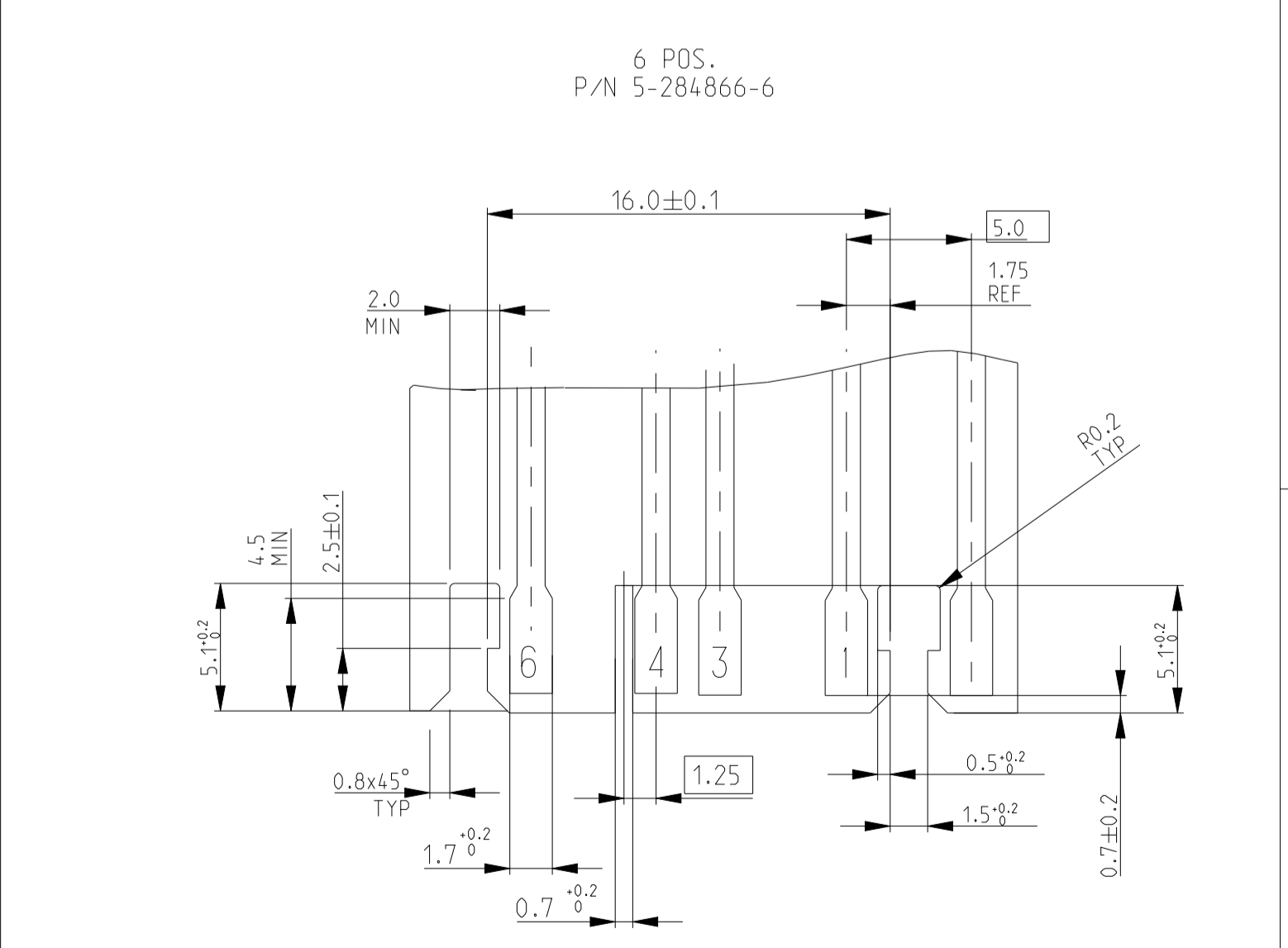
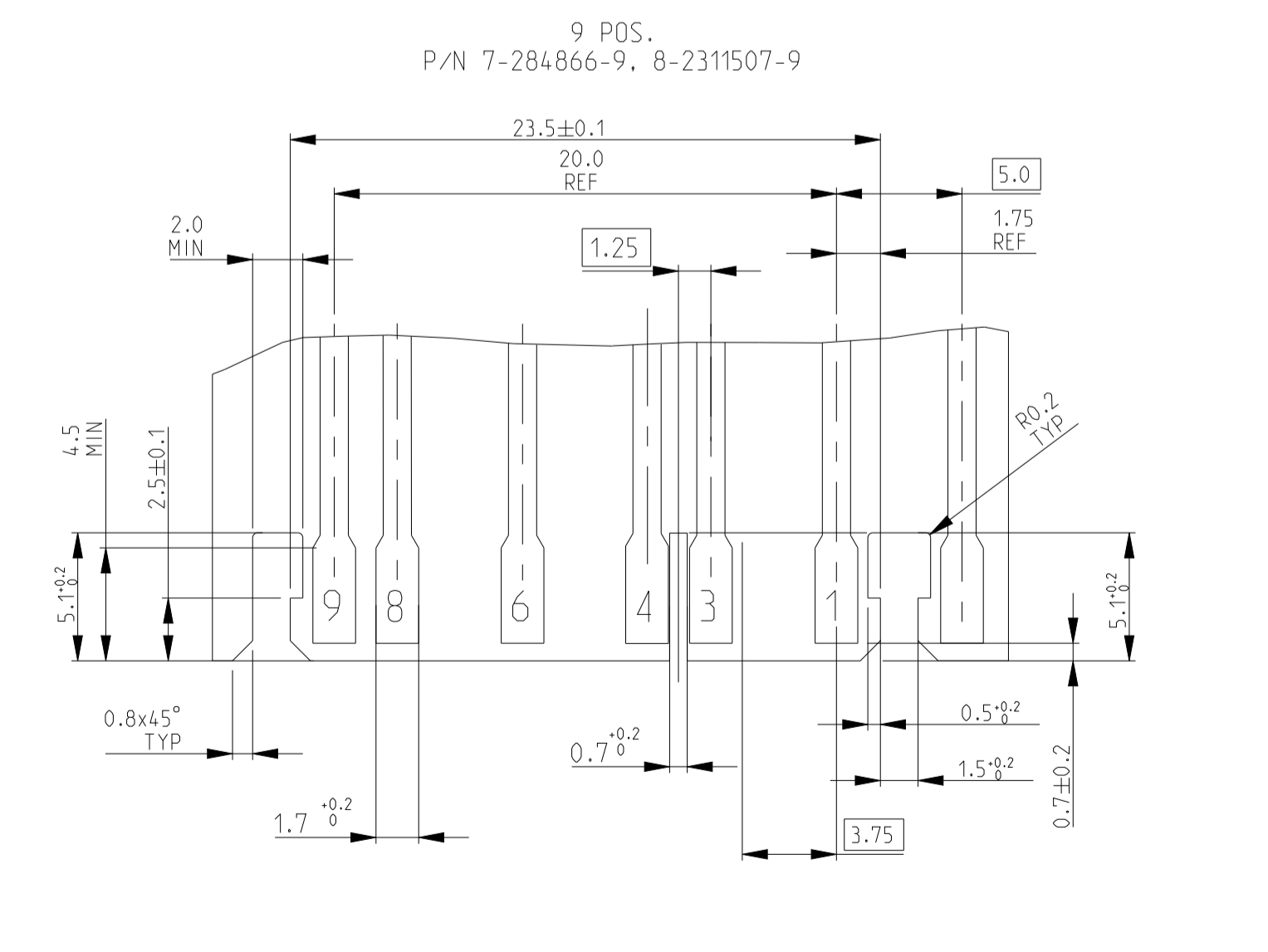
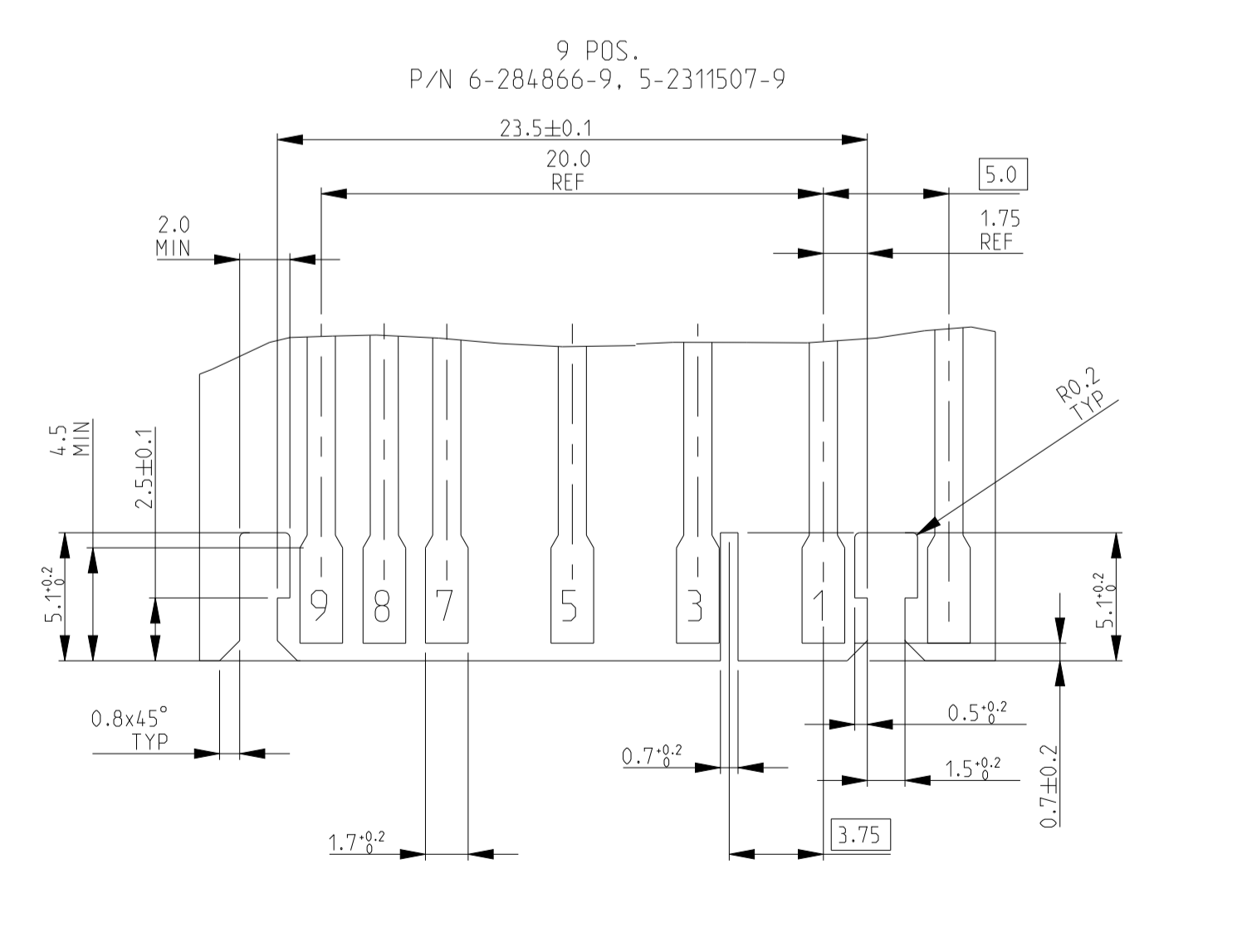
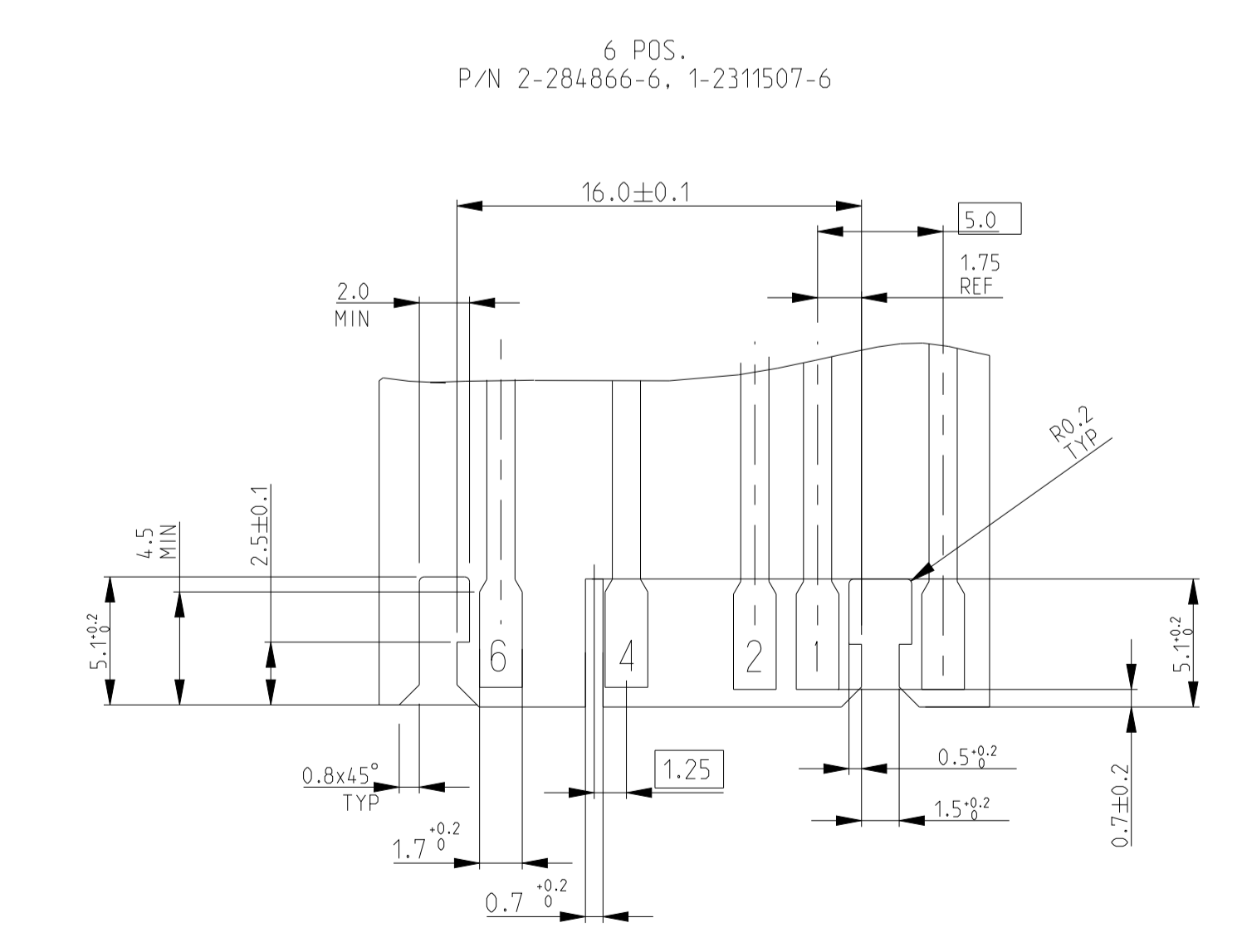
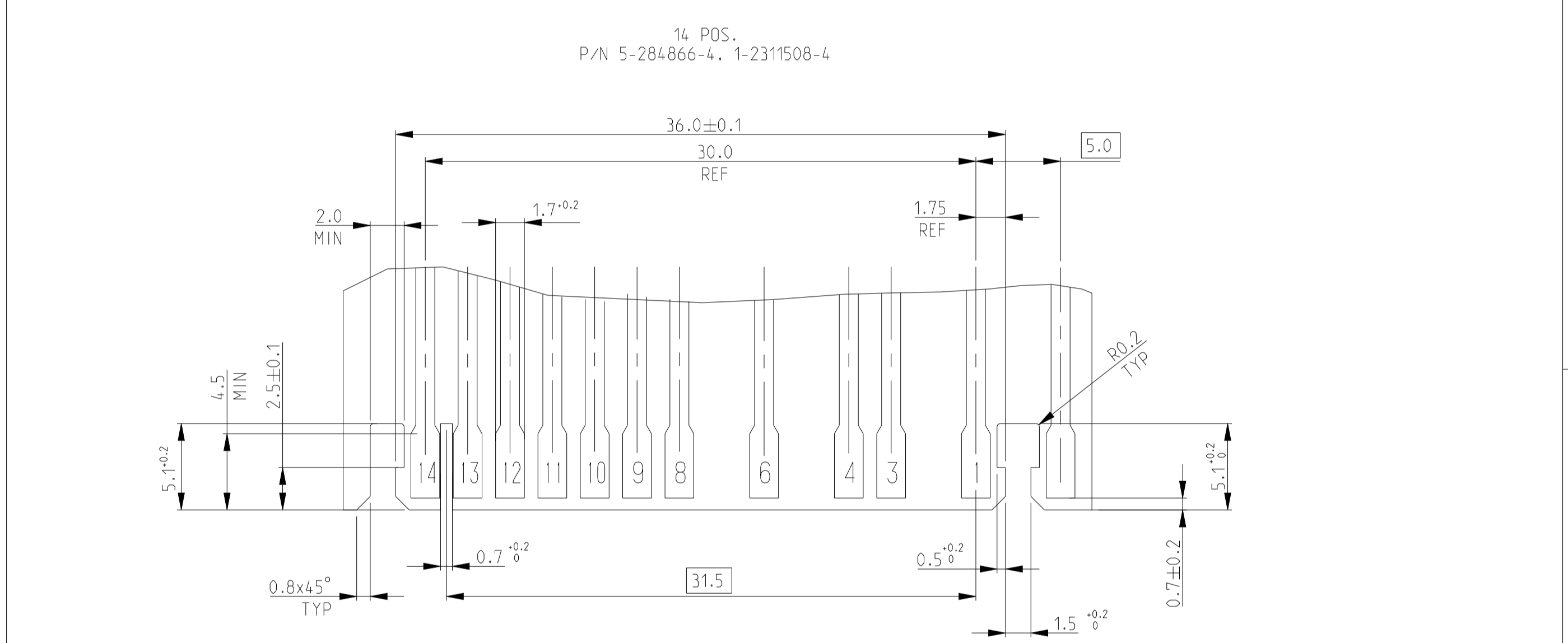
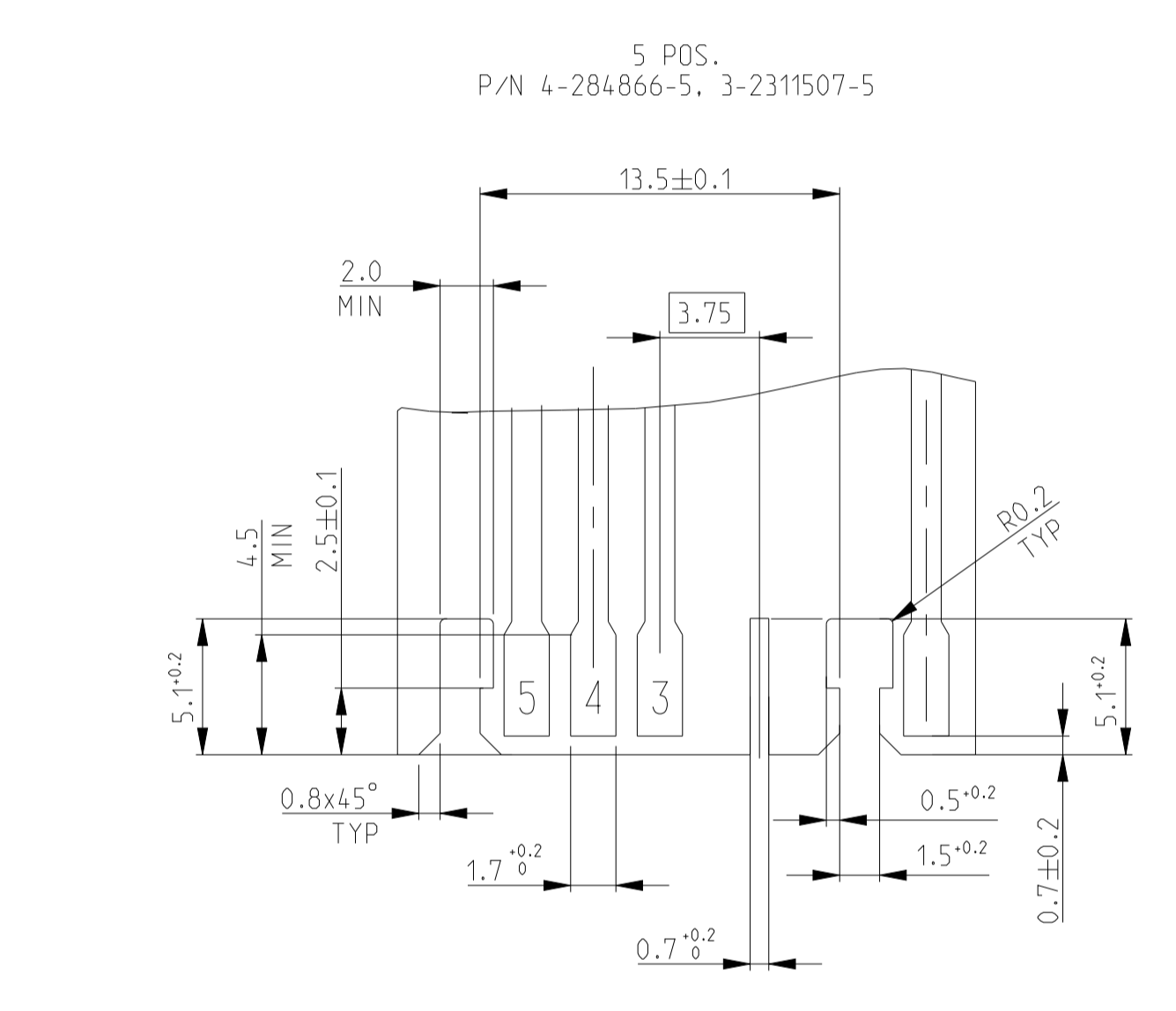
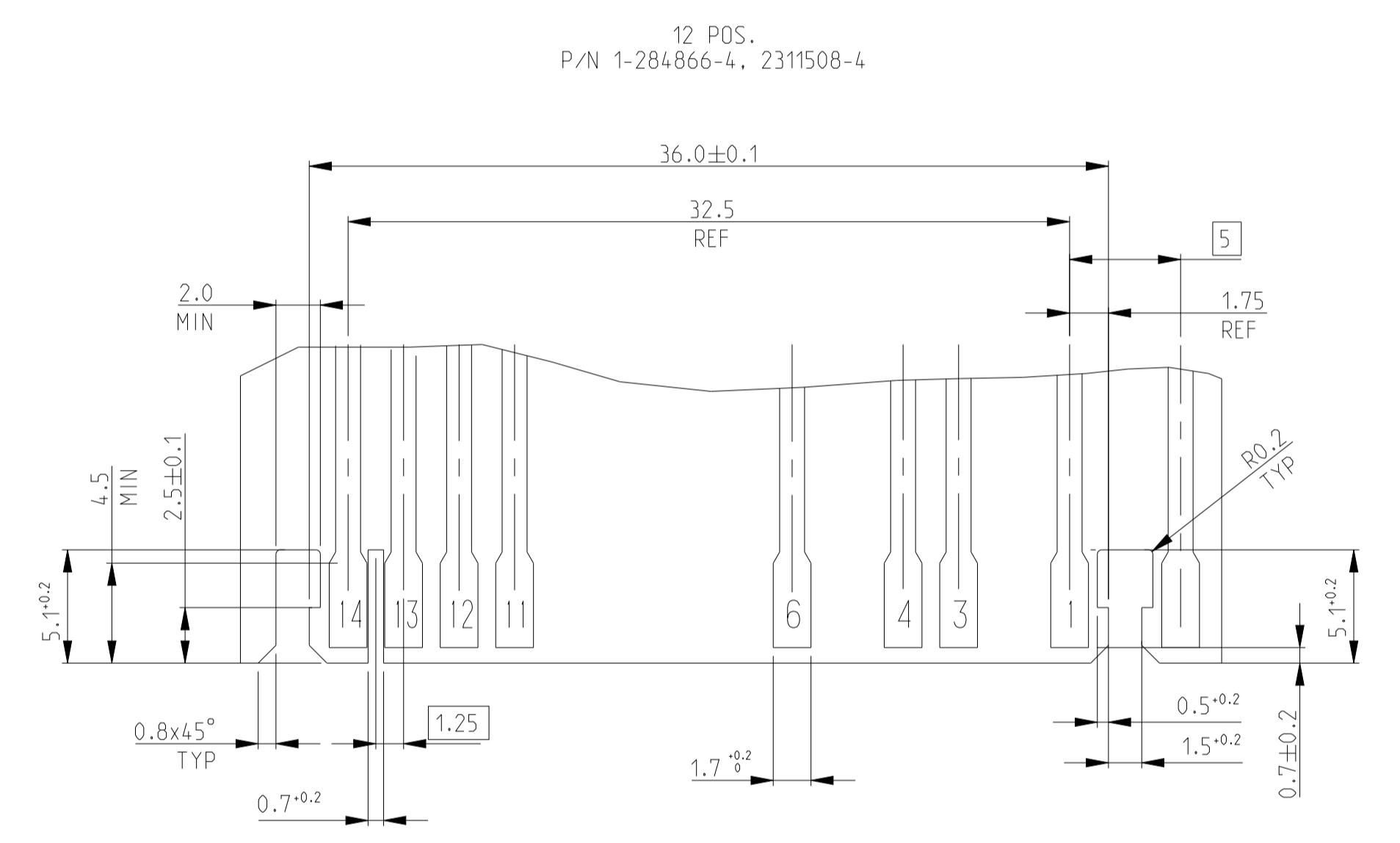


| | | | |
|--|--|------------------|---|
| THIS DRAWING IS A CONTROLLED DOCUMENT. | | OWN: R. FABRIS | 03JUL2002 |
| DIMENSIONS: mm | | CHK: - | |
| TOLERANCES UNLESS OTHERWISE SPECIFIED: | | APVD: TURCO | NAME: DUOPLUG 2.5 FEMALE CONN., SIDE LOCKING, KEYED (SELECTIVELY LOADED CONTACTS) |
| MATERIAL: SEE TABLE | | FINISH: - | SIZE: 108-20238 |
| SEE TABLE | | WEIGHT: - | APPLICATION SPEC: 116-18049-1 |
| SEE TABLE | | CUSTOMER DRAWING | RESTRICTED TO: - |
| SEE TABLE | | SCALE: 6:1 | SHEET: 2 OF 5 |
| SEE TABLE | | REV: 01 | |



| REVISIONS | | | | |
|-----------|------|-------------|------|-------|
| P. | LTN. | DESCRIPTION | DATE | APPV. |
| - | - | SEE SHEET 1 | - | - |

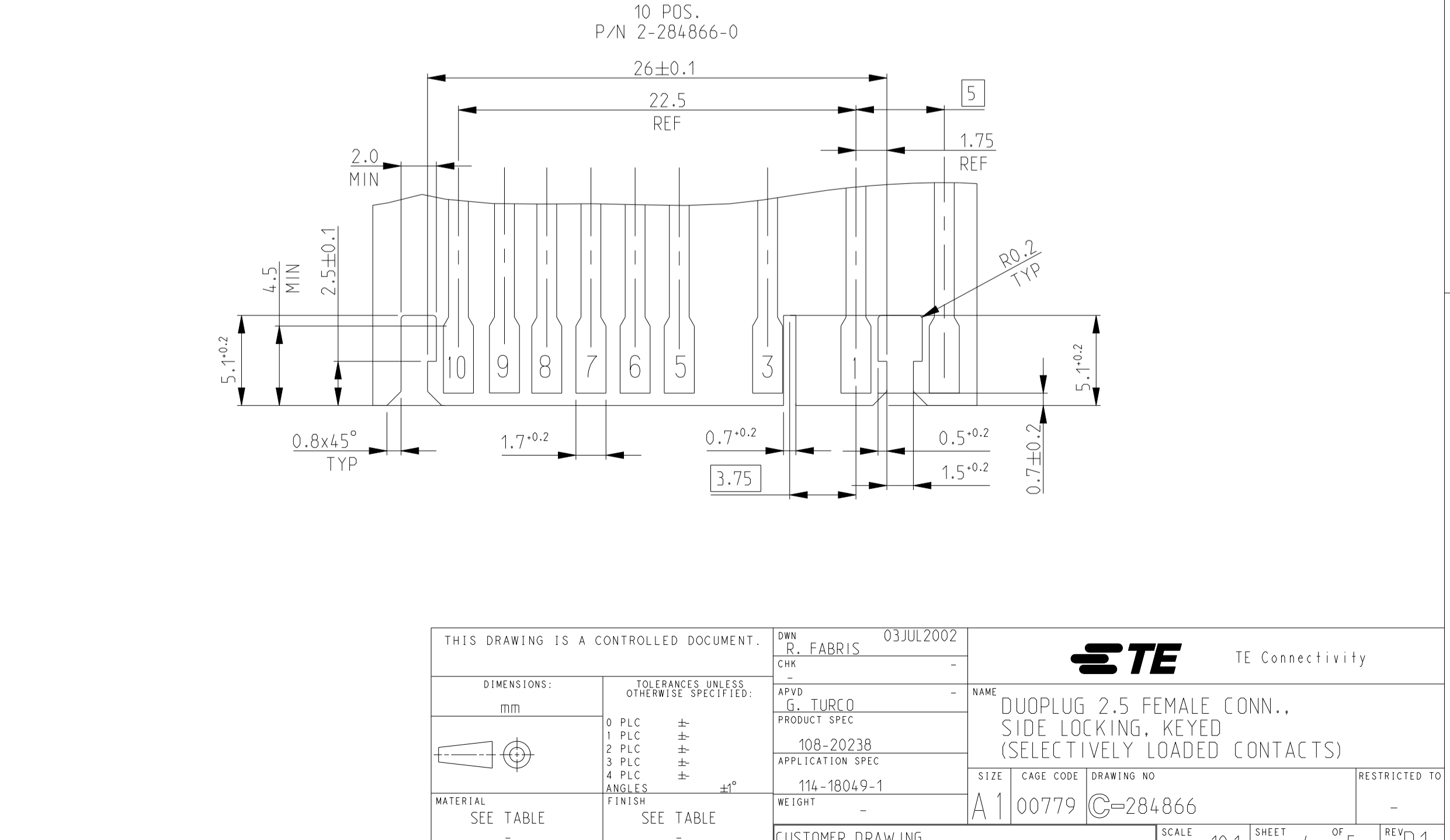
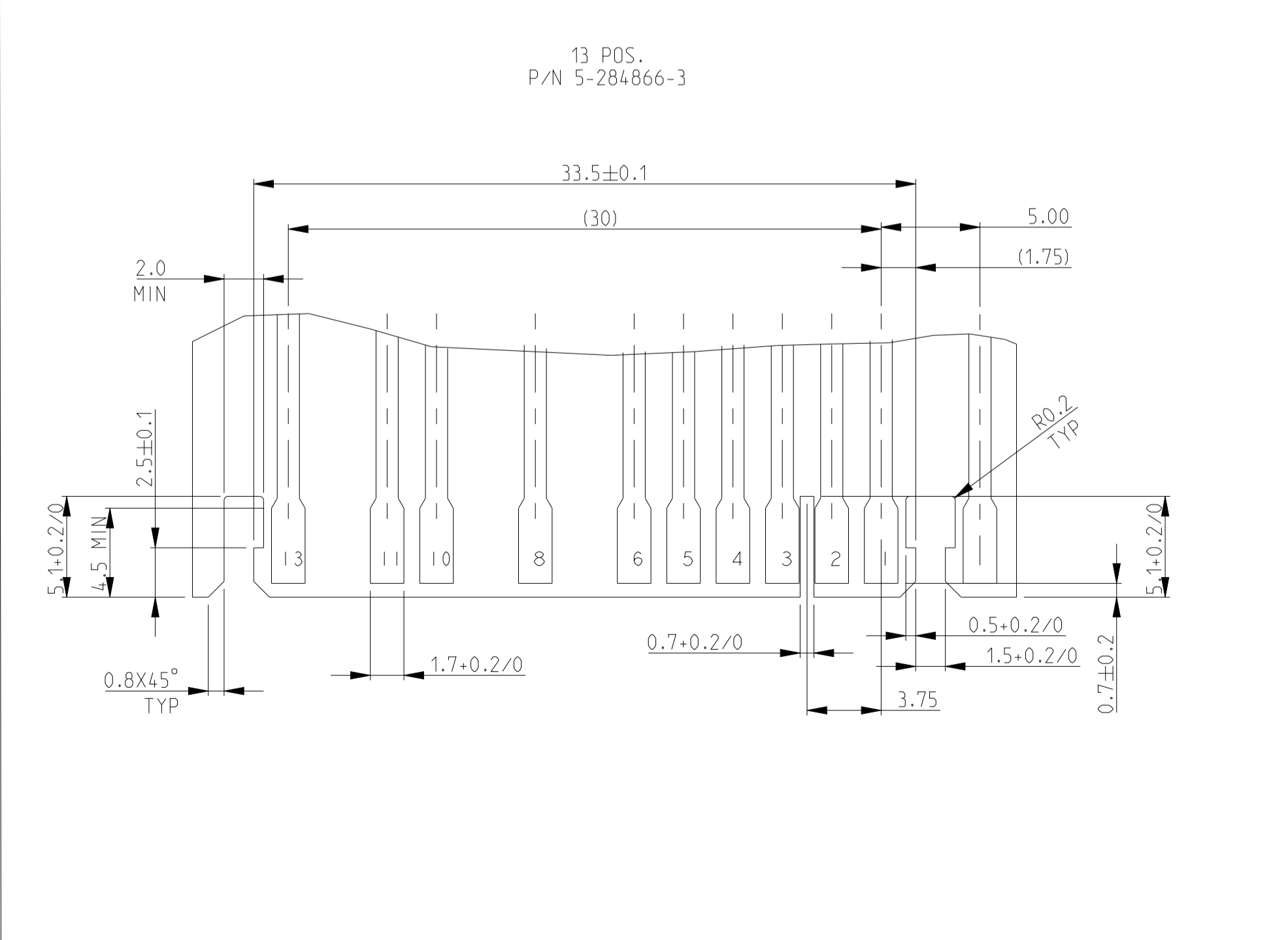
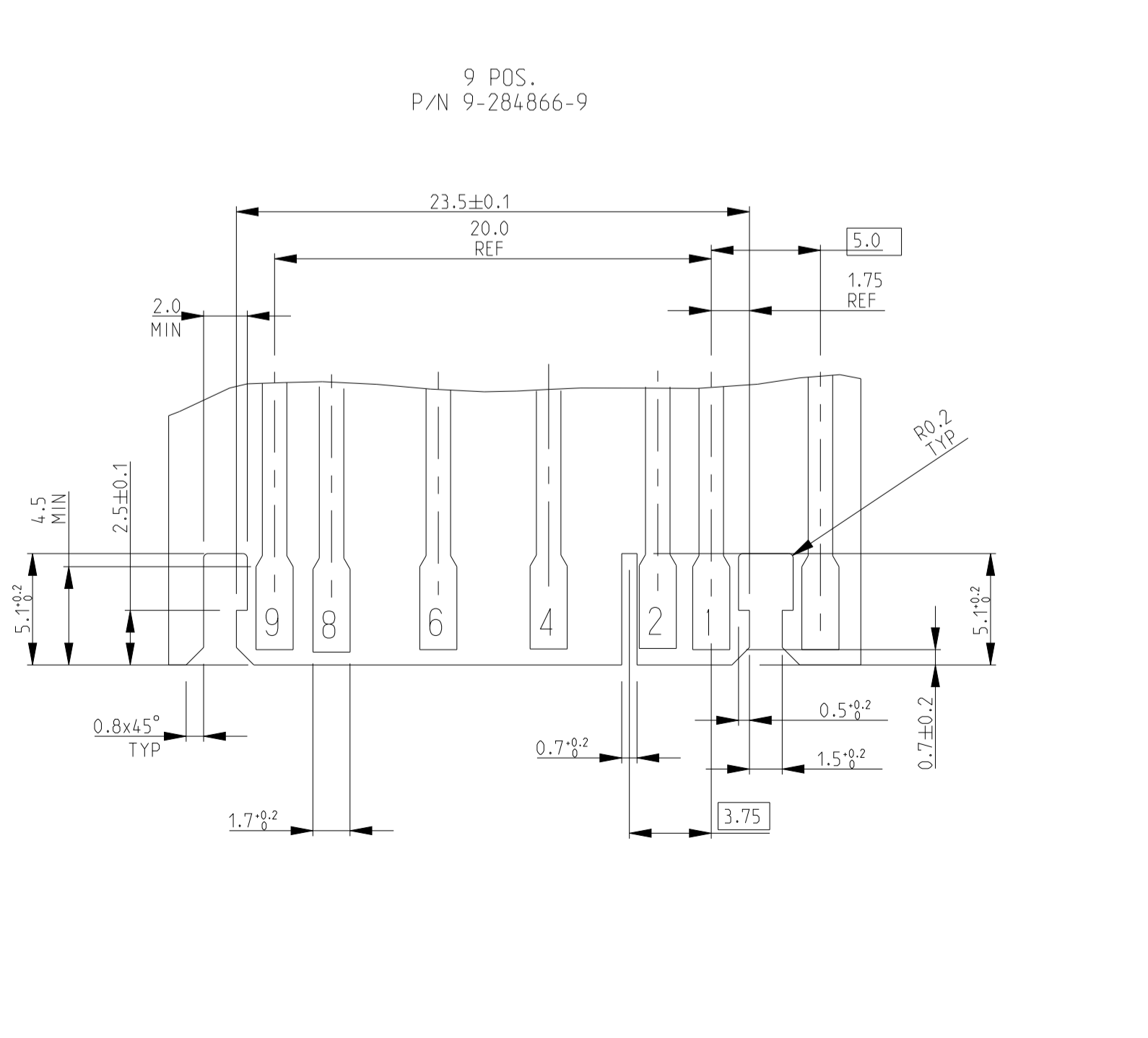
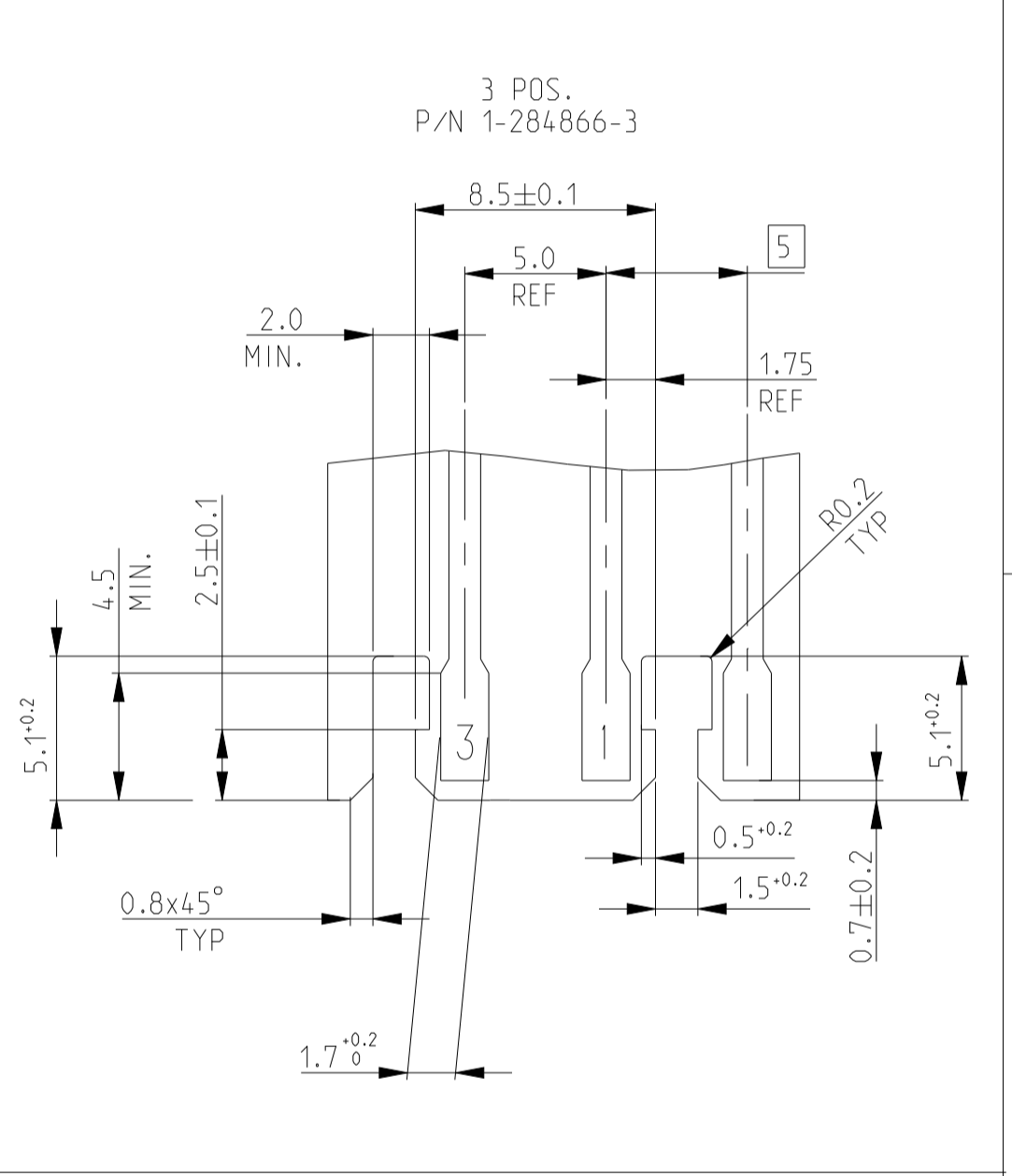
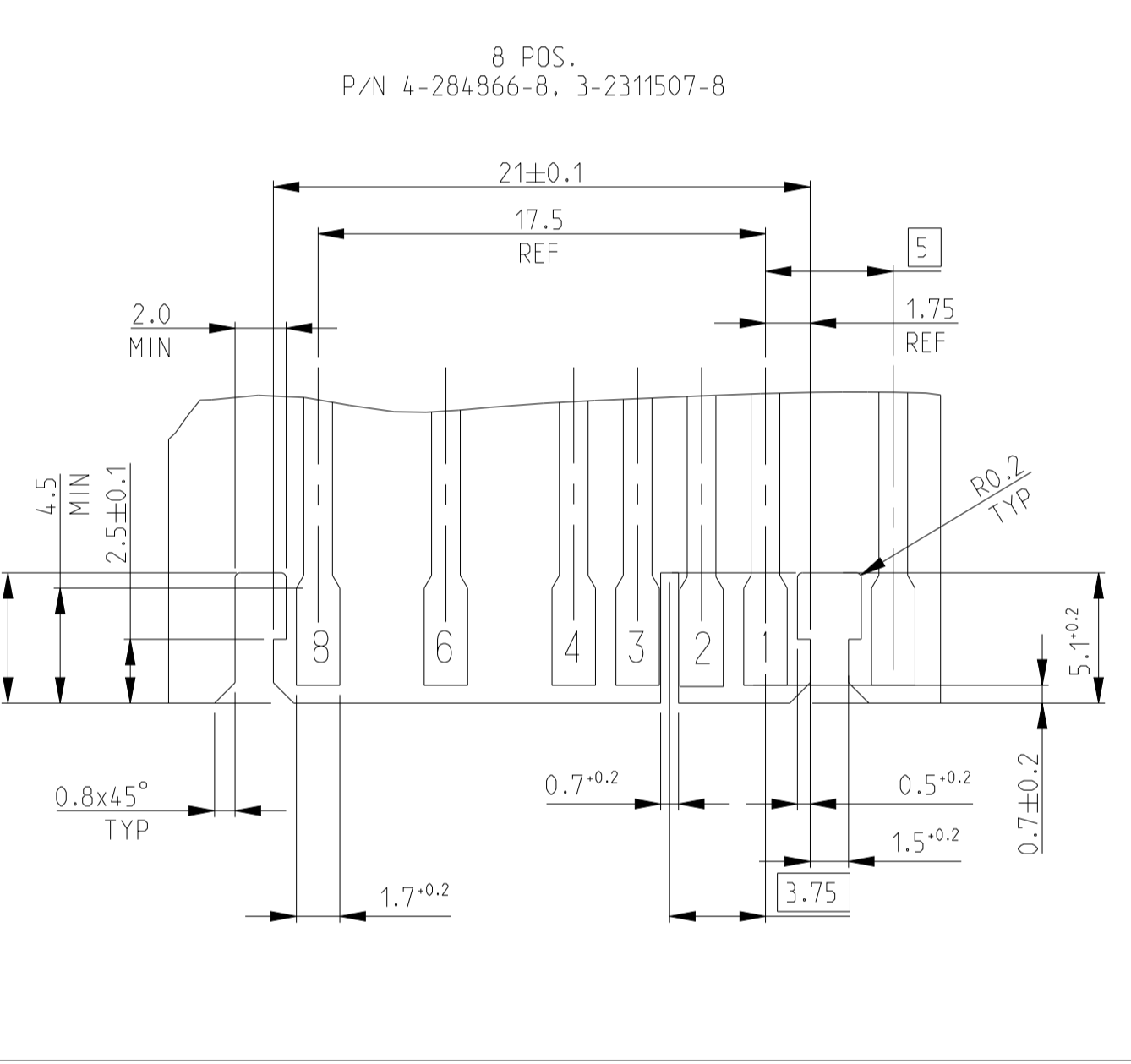
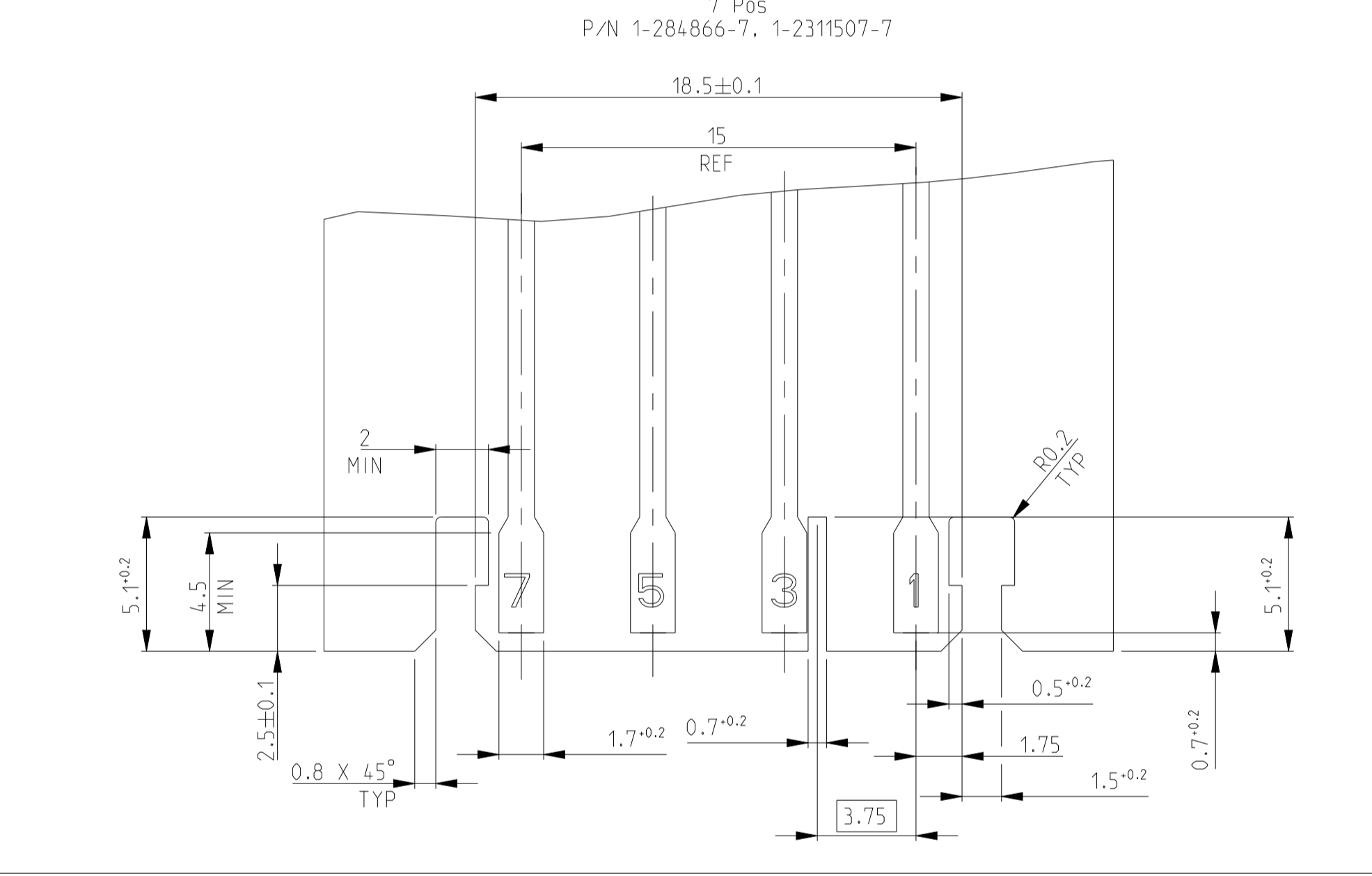
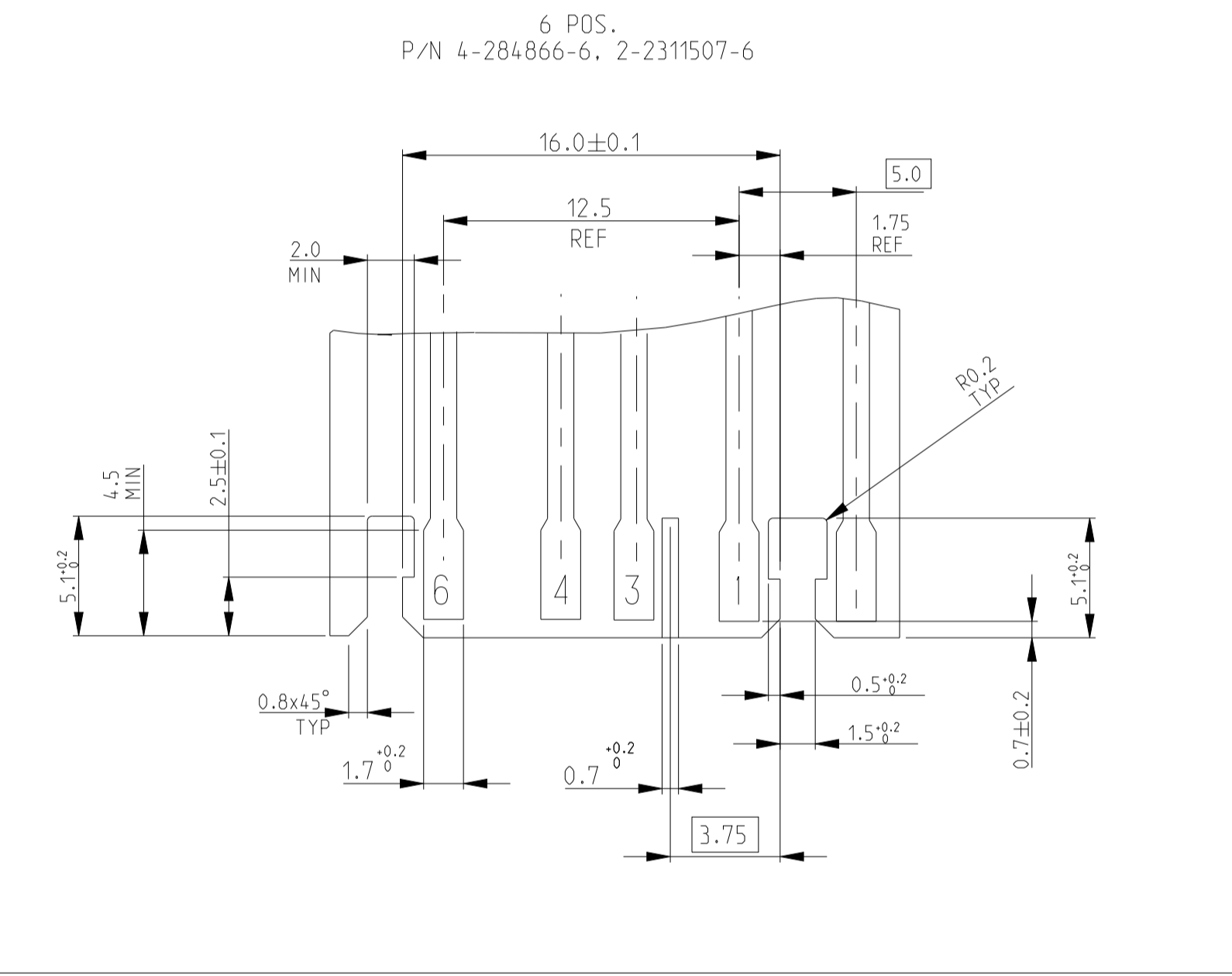
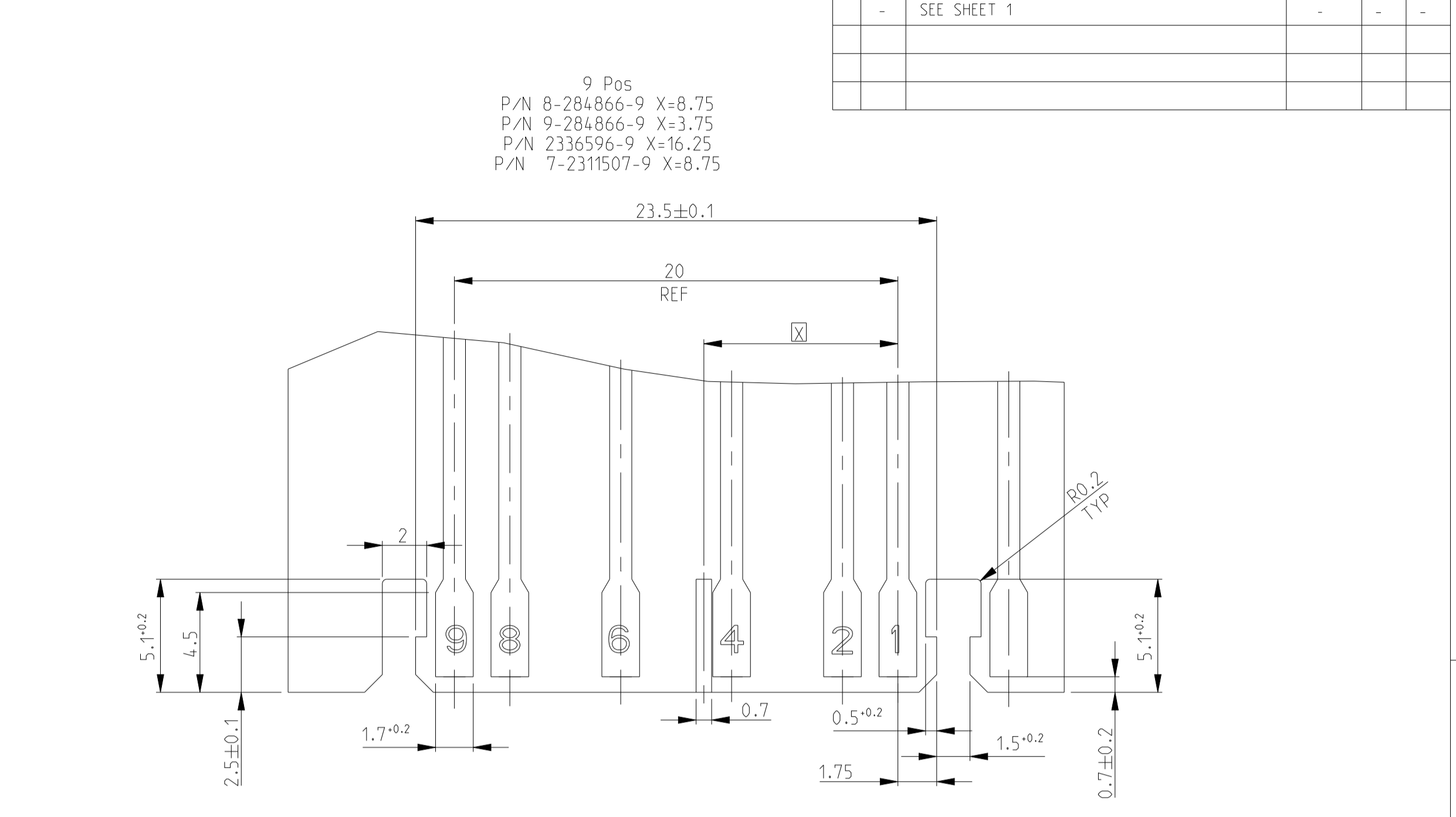
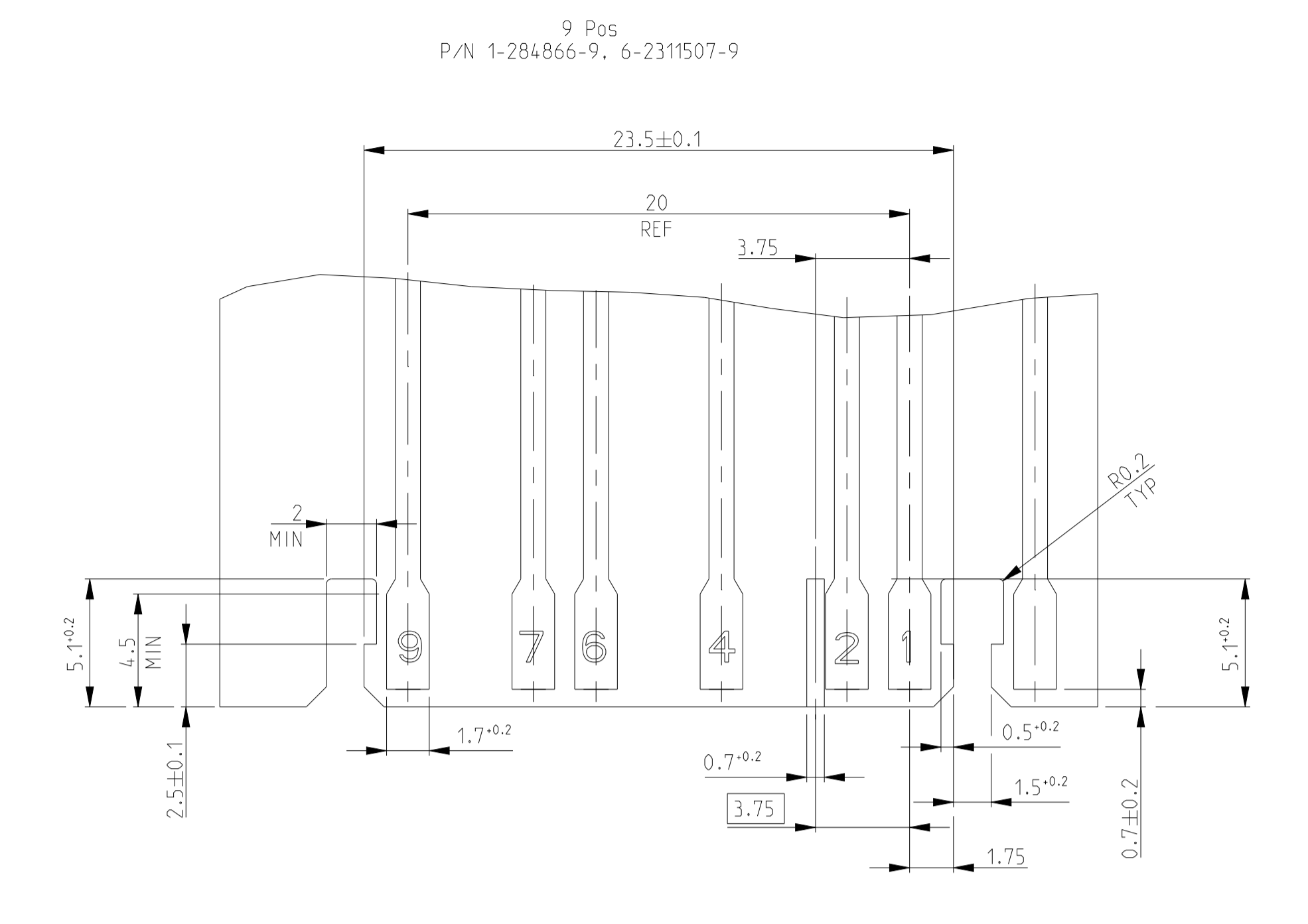
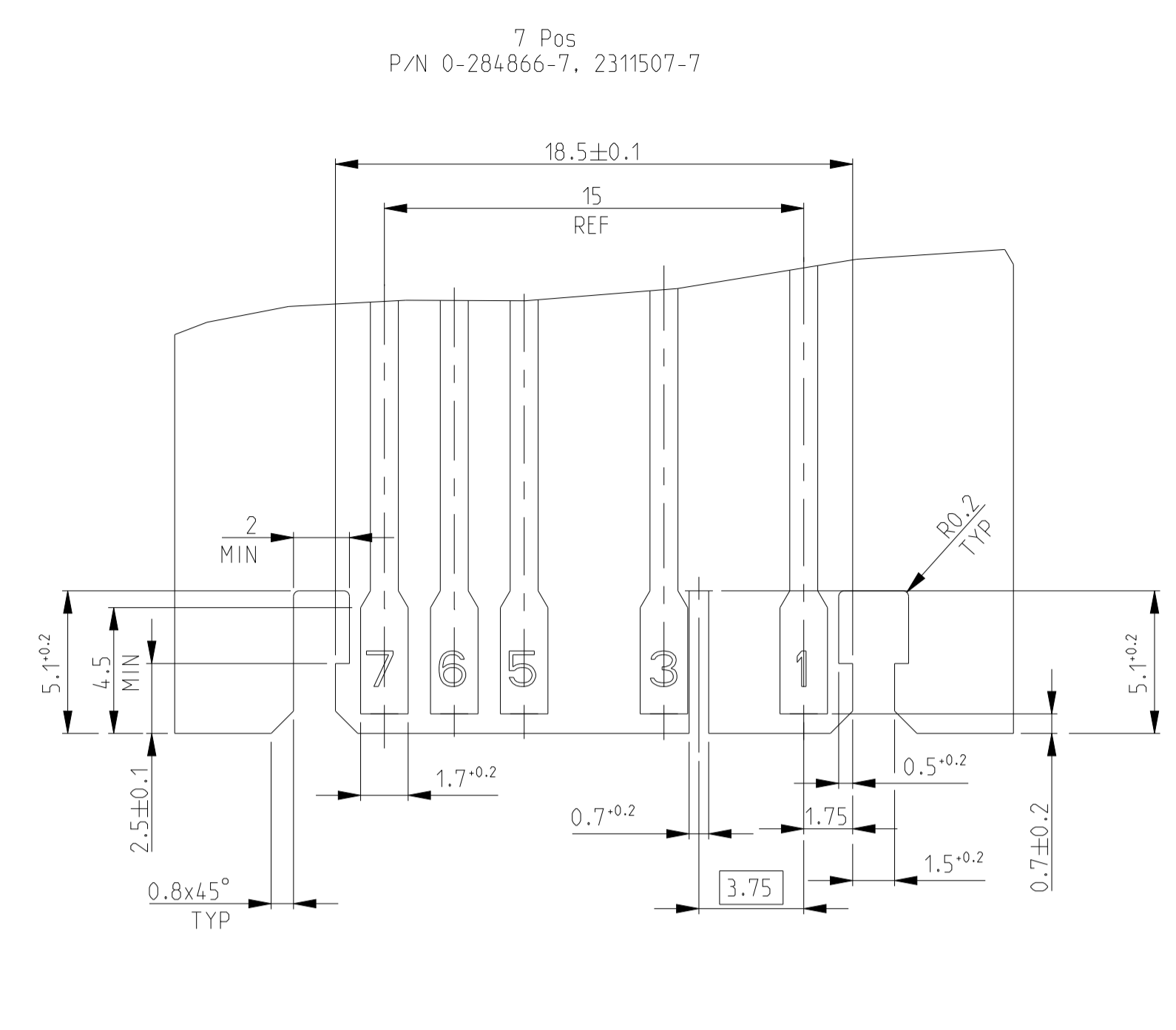
CONNECTION LAYOUT
 E.G P/N 0-284865-4
 (SCALE 4:1)



THIS DRAWING IS A CONTROLLED DOCUMENT. OWN: R. FABRIS 03JUL2002
 CHK: -

| | | | |
|---------------------|--|------------------|---|
| DIMENSIONS: mm | TOLERANCES UNLESS OTHERWISE SPECIFIED: | APV: TURCO | NAME: DUOPLUG 2.5 FEMALE CONN., SIDE LOCKING, KEYED (SELECTIVELY LOADED CONTACTS) |
| | 0 PLC # # # # | PRODUCT SPEC | |
| | 2 PLC # # # # | 108-20238 | SIZE: CAGE CODE DRAWING NO |
| | 3 PLC # # # # | APPLICATION SPEC | RESTRICTED TO |
| | 4 PLC # # # # | | A1 00779 C=284866 |
| | ANGLES # # # # | | SCALE 6:1 SHEET 3 OF 5 REV 01 |
| MATERIAL: SEE TABLE | FINISH: SEE TABLE | WEIGHT: - | CUSTOMER DRAWING |

| REVISIONS | | | | |
|-----------|-----|-------------|------|----------|
| P | LTN | DESCRIPTION | DATE | OWN APVD |
| - | - | SEE SHEET 1 | - | - |

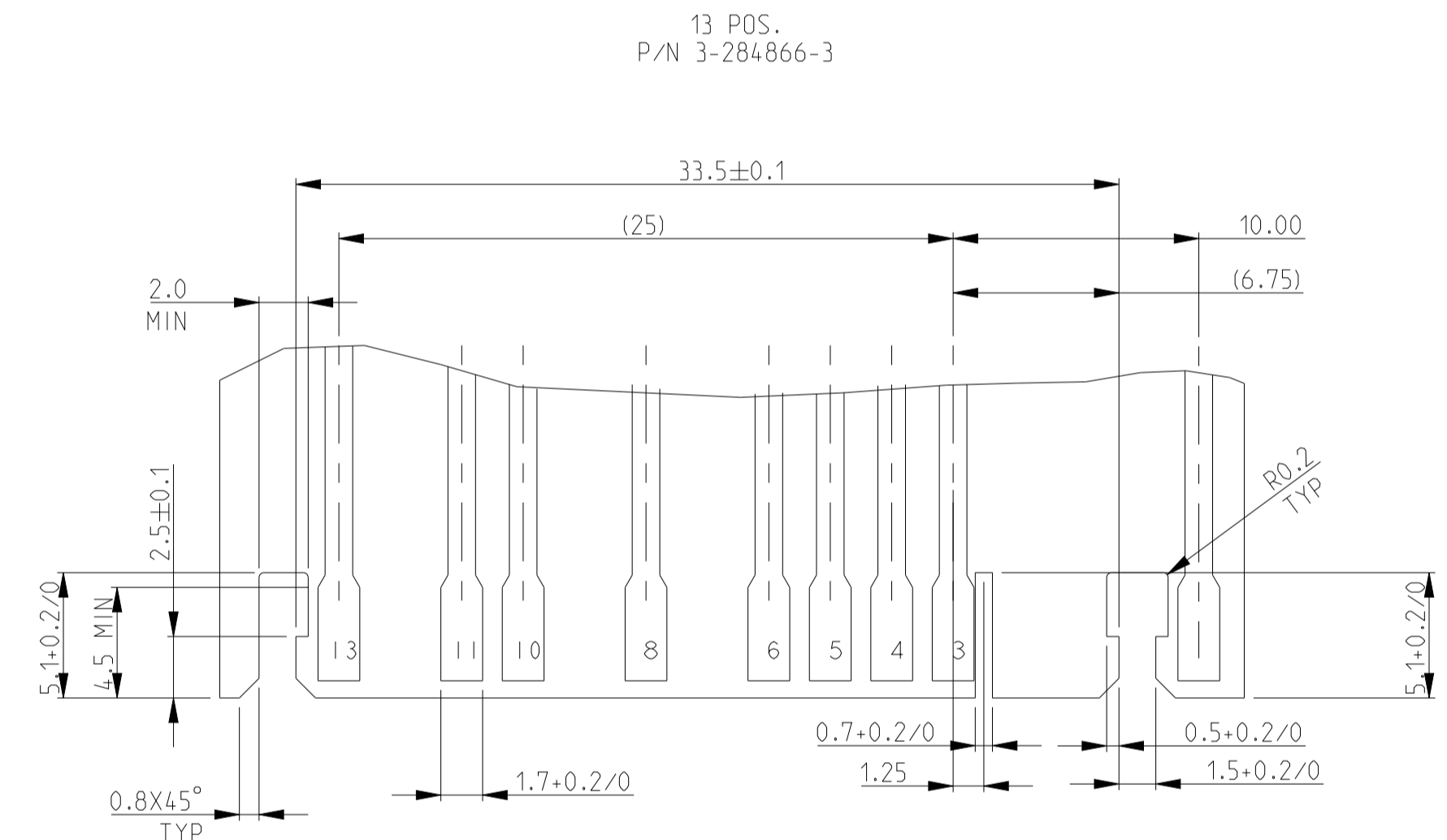
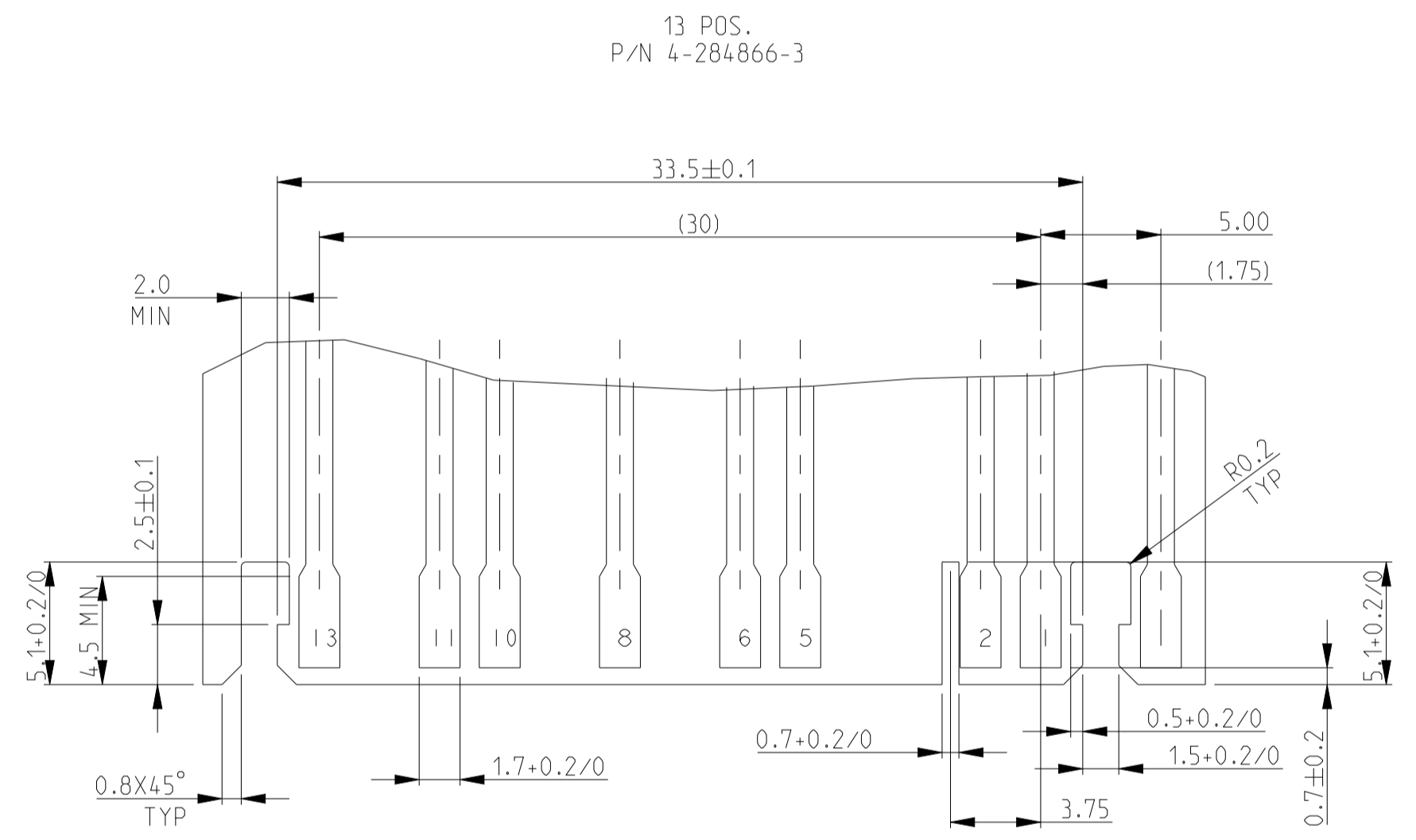
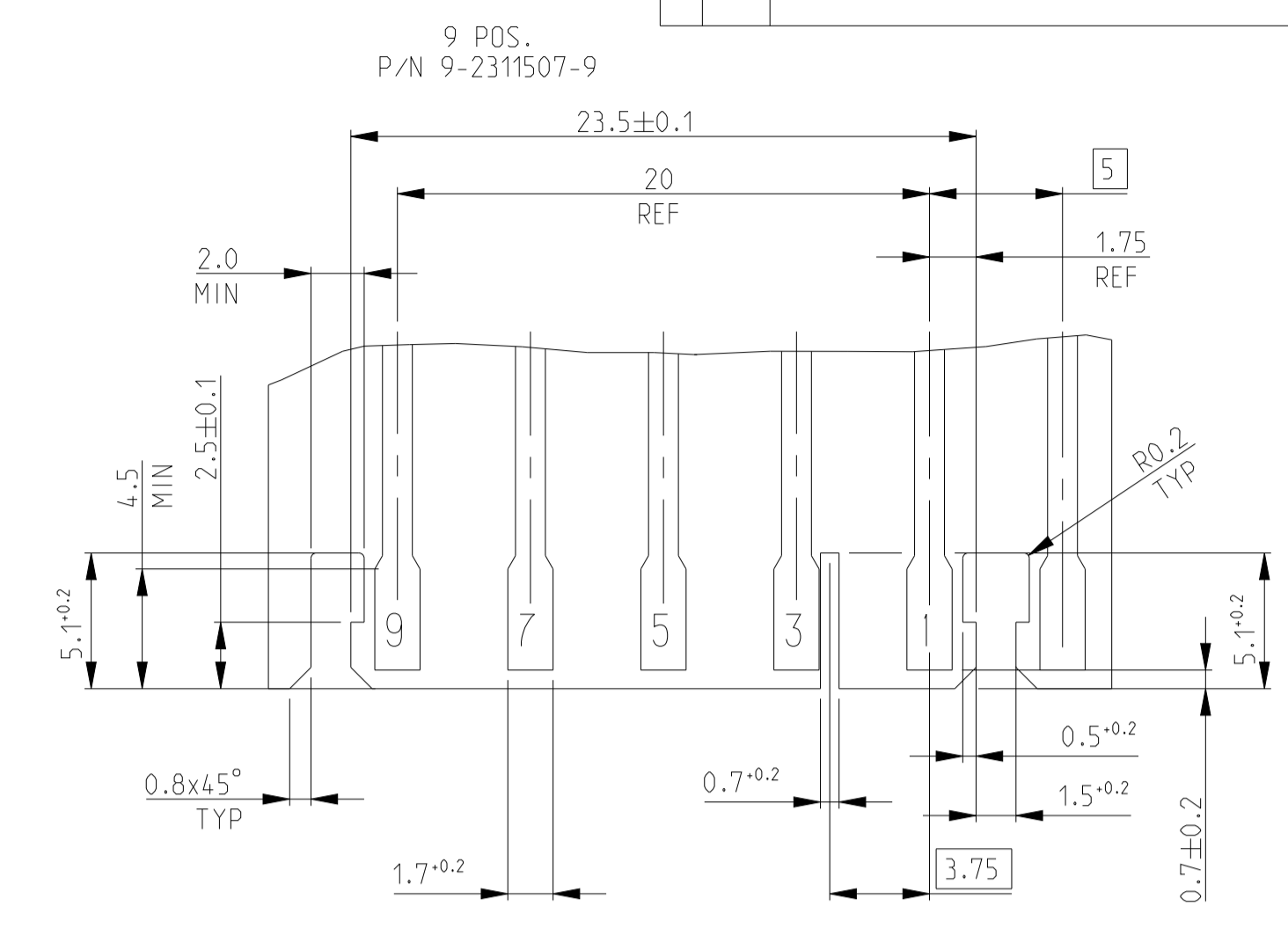
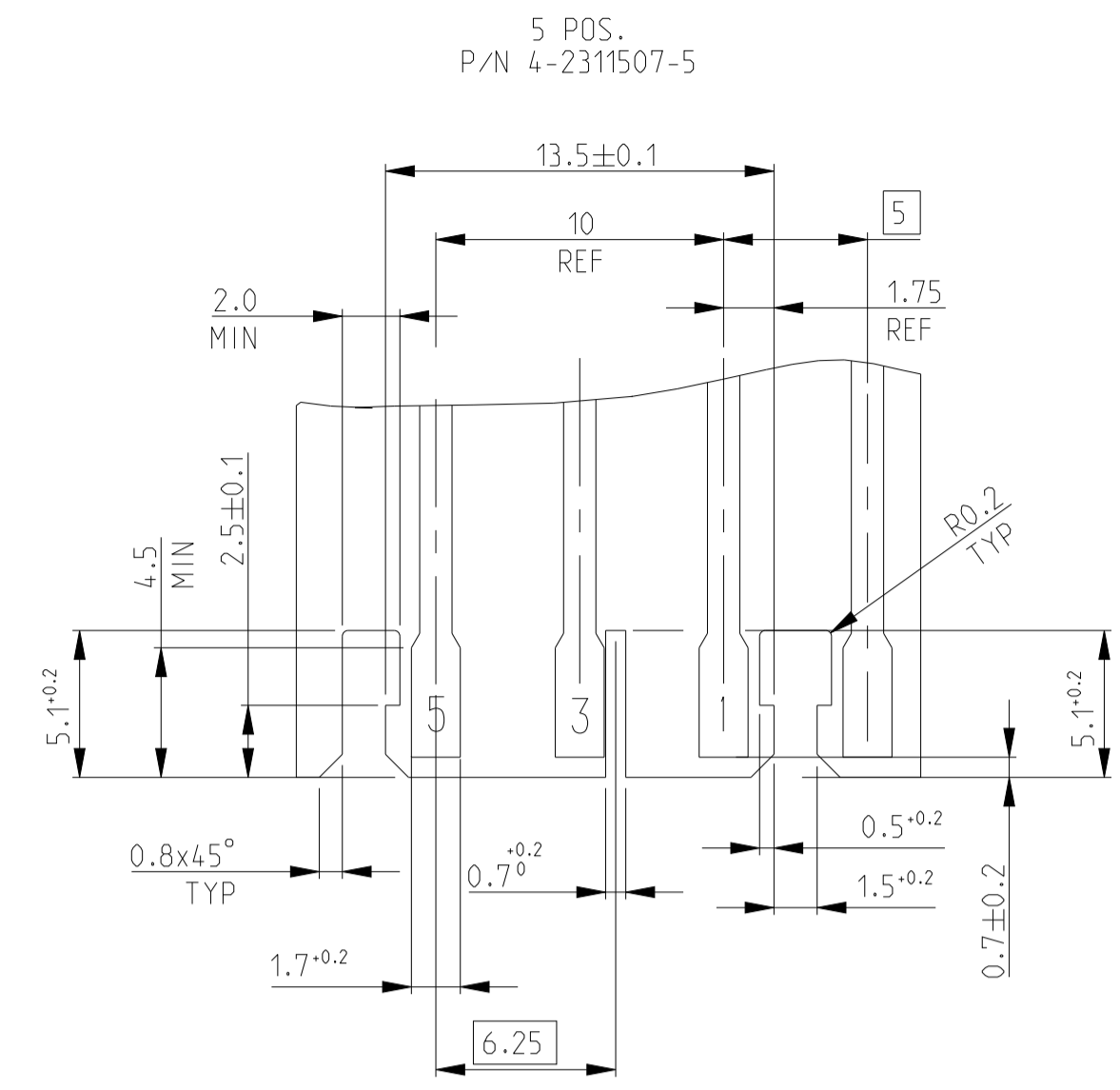
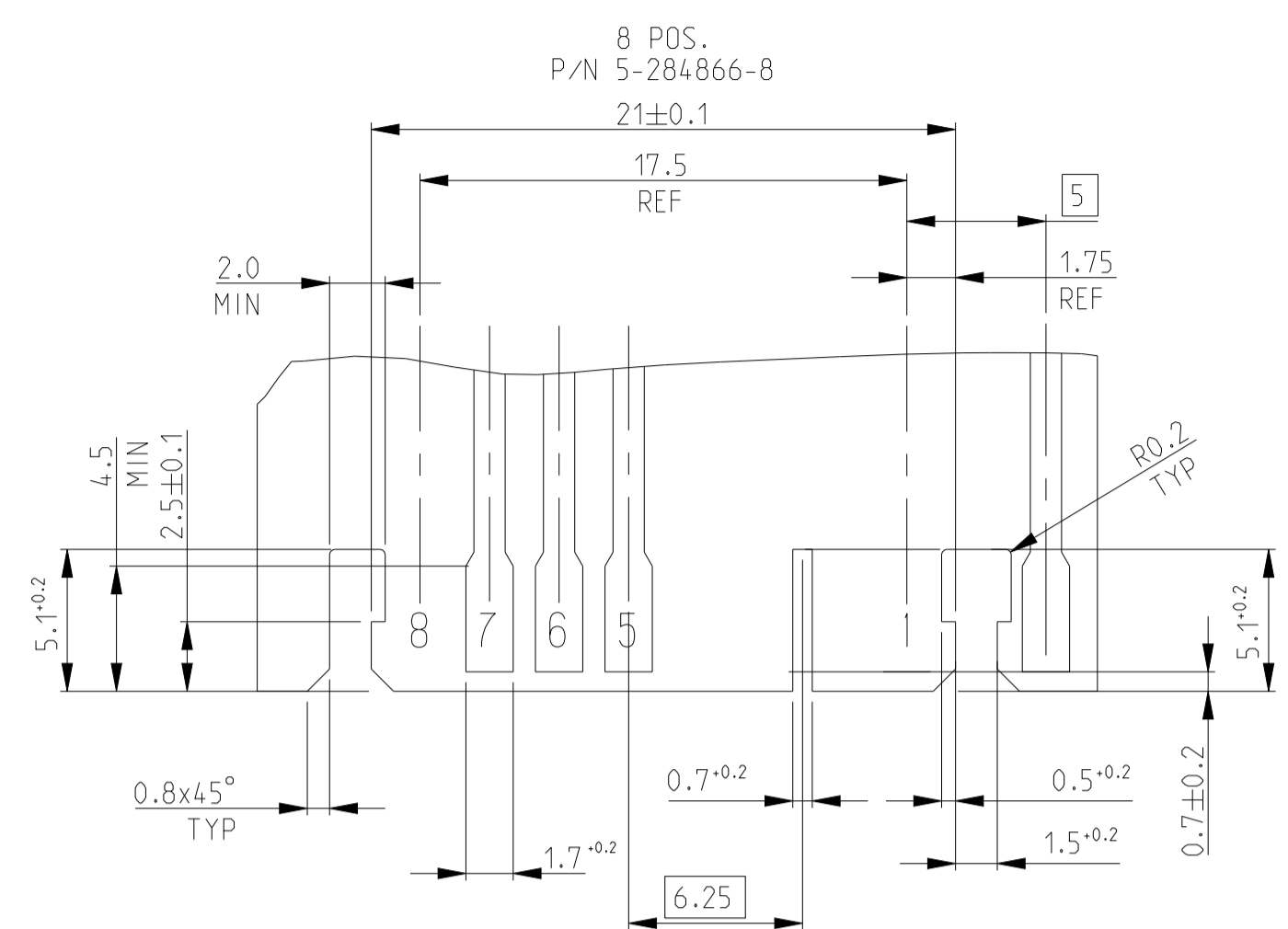


THIS DRAWING IS A CONTROLLED DOCUMENT. OWN: R. FABRIS 03JUL2002
 CHK: -
 DIMENSIONS: mm
 TOLERANCES UNLESS OTHERWISE SPECIFIED:
 0 PLC # # #
 1 PLC # # #
 2 PLC # # #
 3 PLC # # #
 4 PLC # # #
 ANGLES # # #
 MATERIAL: SEE TABLE FINISH: SEE TABLE
 WEIGHT: -
 CUSTOMER DRAWING

APVD: S. TURCO
 PRODUCT SPEC: 108-20238
 APPLICATION SPEC: 116-18049-1
 SIZE: A1
 CAGE CODE: 00779
 DRAWING NO: 284866
 RESTRICTED TO: -
 SCALE: 10:1
 SHEET: 4 OF 5
 REV: 01

STE TE Connectivity
 NAME: DUOPLUG 2.5 FEMALE CONN., SIDE LOCKING, KEYED (SELECTIVELY LOADED CONTACTS)

| REVISIONS | | | | |
|-----------|-----|-------------|------|------|
| P | LTN | DESCRIPTION | DATE | APVD |
| - | - | SEE SHEET 1 | - | - |



THIS DRAWING IS A CONTROLLED DOCUMENT. DWN R. FABRIS 03JUL2002

STE TE Connectivity

NAME: DUOPLUG 2.5 FEMALE CONN., SIDE LOCKING, KEYED (SELECTIVELY LOADED CONTACTS)

PRODUCT SPEC: 108-20238

APPLICATION SPEC: 116-18049-1

SIZE: A1 CAGE CODE: 00779 DRAWING NO: C=284866

RESTRICTED TO: -

SCALE: 10:1 SHEET: 5 OF 5 REV: 01

MATERIAL: SEE TABLE

FINISH: SEE TABLE

TOLERANCES UNLESS OTHERWISE SPECIFIED:

| | |
|--------|----|
| 0 PLC | # |
| 1 PLC | # |
| 2 PLC | # |
| 3 PLC | # |
| 4 PLC | # |
| ANGLES | #° |

CUSTOMER DRAWING