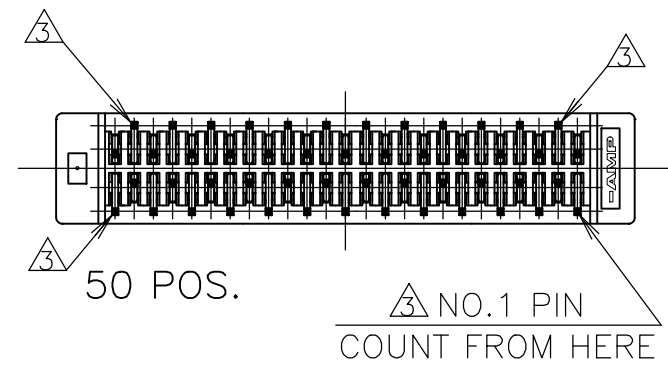
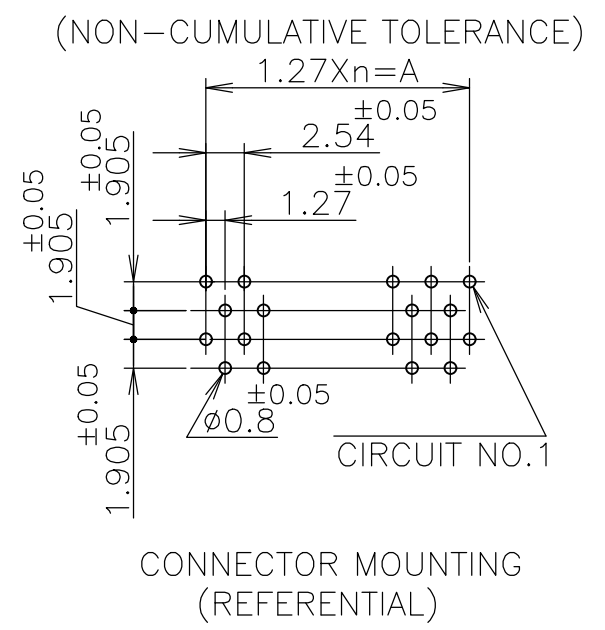
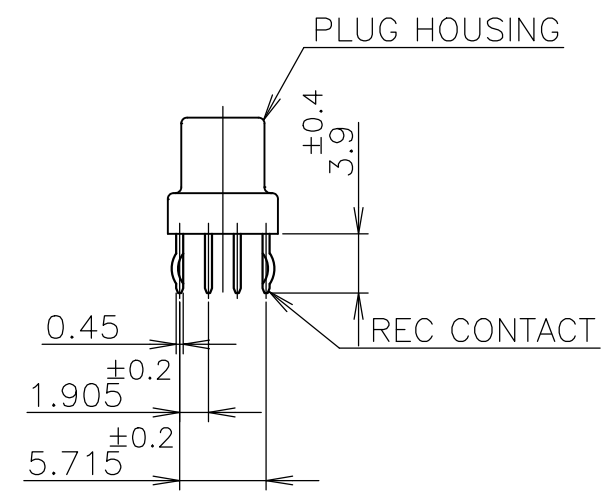
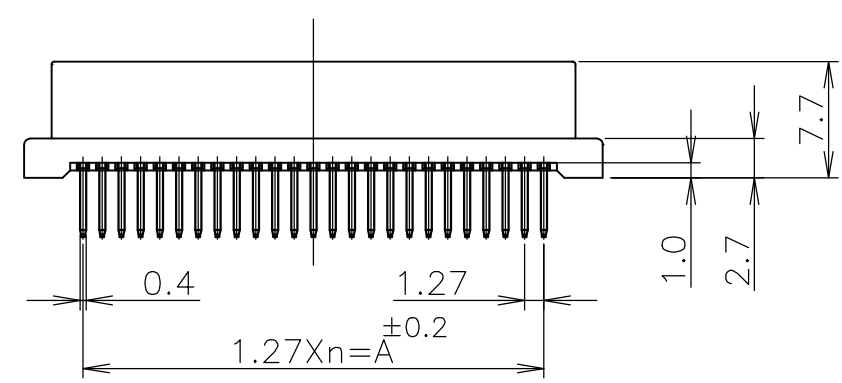
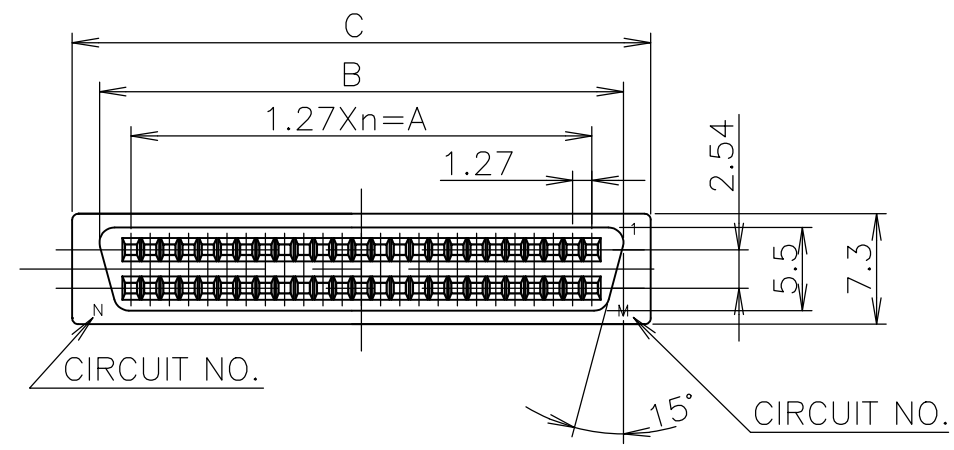


REVISIONS 変更				
P	LTR	DESCRIPTION	DATE	APVD
P		ECO-20-007709	22JUN2020	RR SH



- △ MATERIAL & FINISH
PLUG HOUSING: THERMOPLASTIC (UL94V-0) COLOR: BLACK.
REC CONTACT: COPPER ALLOY.
FINISH: OVER NICKEL, MATING END: 0.00076 MIN. GOLD, TERMINATION END: TIN AND SEALING TREATMENT ALL OVER.
- 2 P.W.B. LAYOUT AND P.W.B. TREATMENT (REF.)
P.W.B. SURFACE ARE TREATED WITH SOLDER RESIST.
BOARD THICKNESS: 1.6mm.
- △ ON KINK POINT (4 PLACES).

OBSOLETE	0.00076 MIN. Au. PL.	50	26	30.48	34.65	38.26	24	50	6-1747754-3
	REMARK	N	M	A	B	C	n	POS.	PART NO.

GENERAL TOLERANCE
10 ≥ : ±0.2
30 ≥ > 10: ±0.25
100 ≥ > 30: ±0.3
ANGLES: ±3°

THIS DRAWING IS A CONTROLLED DOCUMENT.	
DIMENSIONS: 単位: 概 mm	TOLERANCES UNLESS OTHERWISE SPECIFIED: 一般公差
0 PLC ±-	1 PLC ±-
2 PLC ±-	3 PLC ±-
4 PLC ±-	ANGLES ±-
MATERIAL 材料	FINISH 仕上

DWN Julyee Zhu 22SEP04	STE TE Connectivity	
CHK Takahiro Kawamae 22SEP04		
APVD Ikuo Enomoto 22SEP04	NAME 名称	
PRODUCT SPEC 製品規格 108-5203	PLUG ASSY V WITH KINK (TINE L=3.9mm)	
APPLICATION SPEC 取付適用規格	AMPLIMITE .050 SERIES I B-TO-B CONN.	
WEIGHT 0.000000	SIZE A3	CAGE CODE 00779
CUSTOMER DRAWING	DRAWING NO 番号 C-1747754	
SCALE 尺度 2:1	SHEET 1 OF 1	REV P