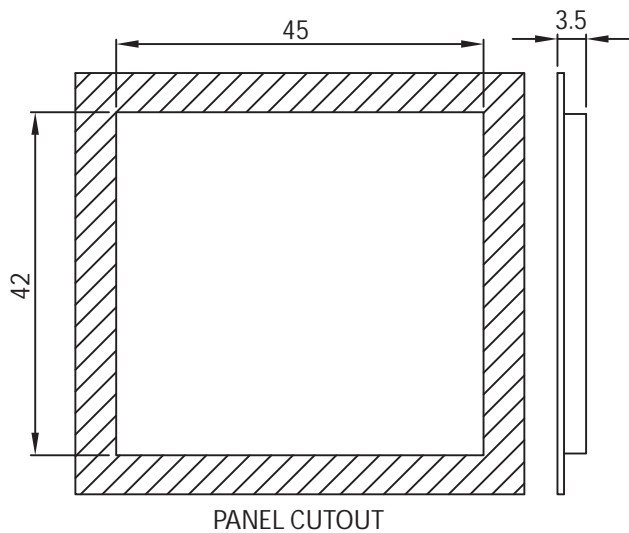
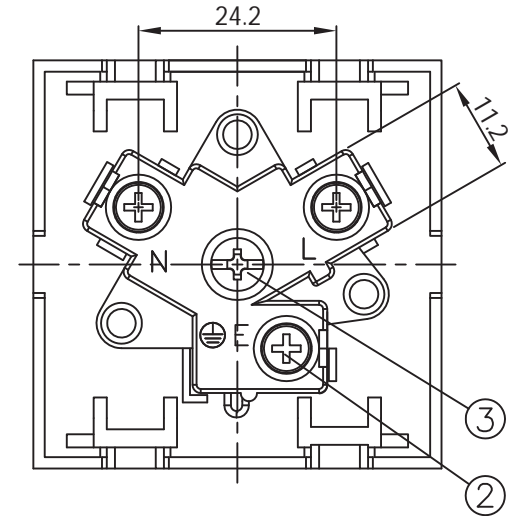
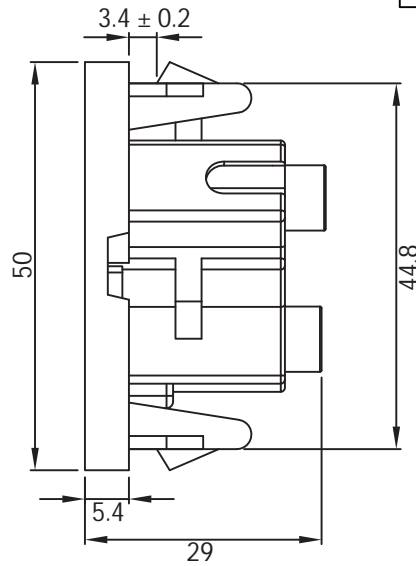
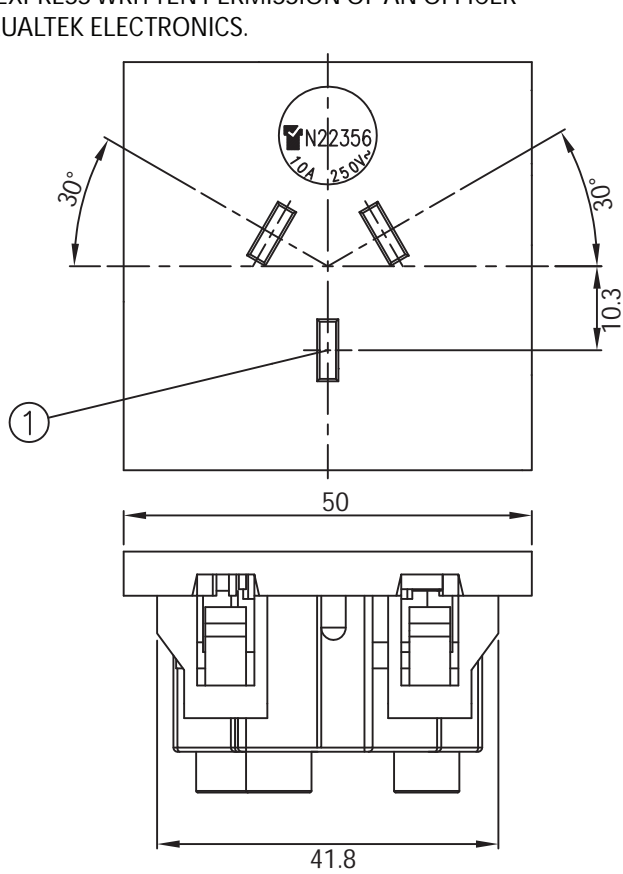


THESE DRAWINGS ARE THE PROPERTY OF QUALTEK ELECTRONICS AND NOT TO BE REPRODUCED FOR OR COMMUNICATED TO A THIRD PARTY WITHOUT THE EXPRESS WRITTEN PERMISSION OF AN OFFICER OF QUALTEK ELECTRONICS.

REVISION			
REV.	DESCRIPTION	DATE	APPROVED



NOTES:

TOP COVER COLOR: BLACK
 BODY INSULATOR COLOR: BLACK
 RATING: 10A 250V AC
 APPROVALS: SAA
 PANEL THICKNESS: 3.5mm
 RoHS COMPLIANT

CONTROLLED

3	Screw N0.6-18 Nickel Plated	1
2	Screw M4*0.7mm Nickel Plated	3
1	Brass t=0.5mm	3

Dim range (mm)	Tolerance +/- (mm)	Qualtek Electronics Corp. PPC DIVISION		
		Part Number:	741W-E/02	RoHS Compliant
0-1	0.15	Description: AUSTRALIA AC RECEPTACLE		
1-6	0.20			
6-18	0.30	UNIT: mm		
18-50	0.50			
50-120	0.70	Drawn / Date	Checked / Date	Approved / Date
120-250	0.90	R.Nuti 10-07-19	10-07-19	LY / 10-07-19
250-500	1.20			