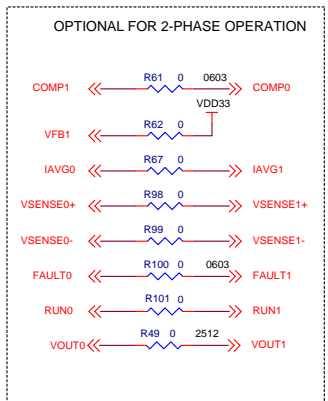
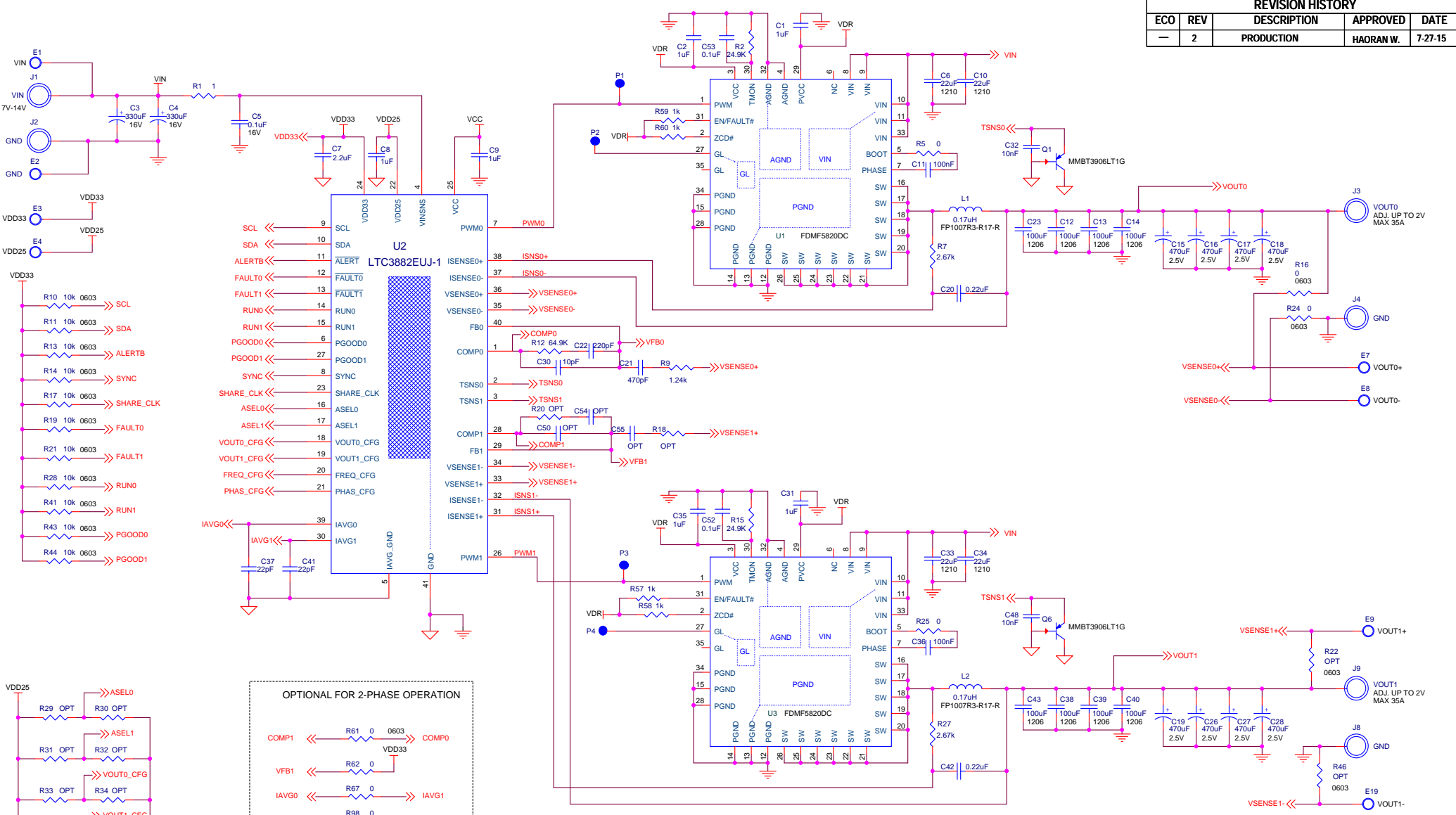


REVISION HISTORY

ECO	REV	DESCRIPTION	APPROVED	DATE
-	2	PRODUCTION	HAORAN W.	7-27-15



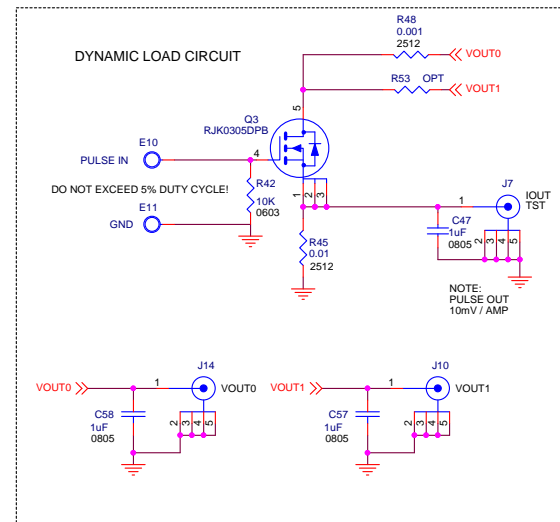
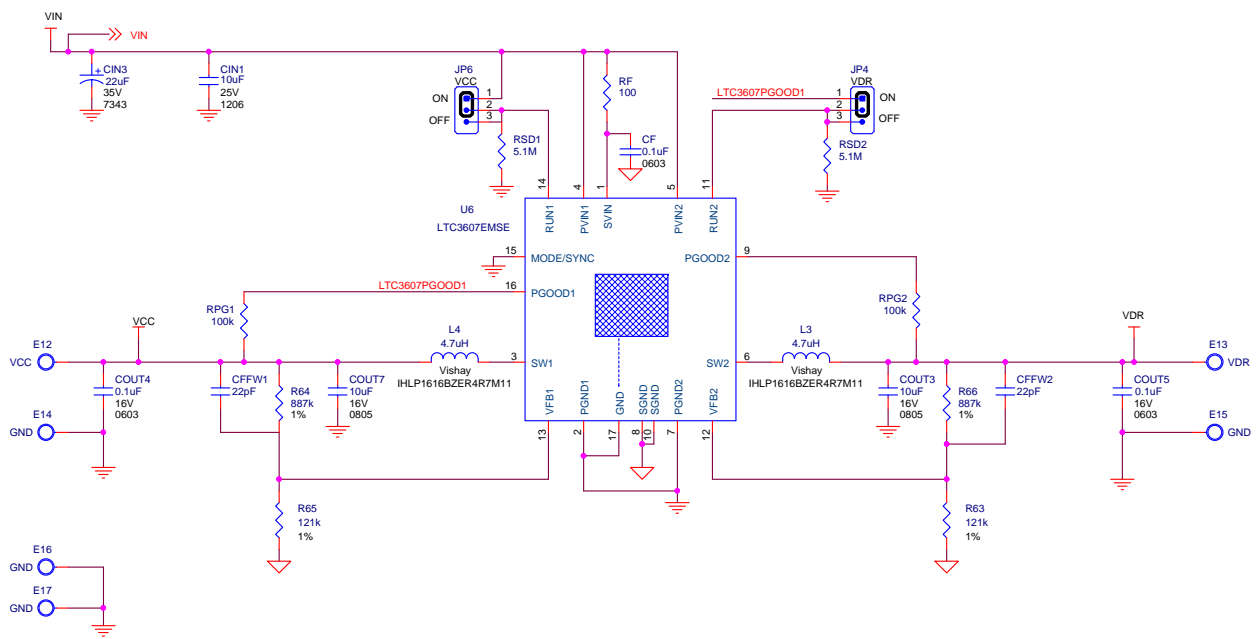
NOTE: UNLESS OTHERWISE SPECIFIED

- ALL RESISTORS ARE IN OHMS, 0402.
- ALL CAPACITORS ARE IN MICROFARADS, 0402.
- INSTALL SHUNTS AS SHOWN.

CUSTOMER NOTICE
 LINEAR TECHNOLOGY HAS MADE A BEST EFFORT TO DESIGN A CIRCUIT THAT MEETS CUSTOMER-SUPPLIED SPECIFICATIONS; HOWEVER, IT REMAINS THE CUSTOMER'S RESPONSIBILITY TO VERIFY PROPER AND RELIABLE OPERATION IN THE ACTUAL APPLICATION. COMPONENT SUBSTITUTION AND PRINTED CIRCUIT BOARD LAYOUT MAY SIGNIFICANTLY AFFECT CIRCUIT PERFORMANCE OR RELIABILITY. CONTACT LINEAR TECHNOLOGY APPLICATIONS ENGINEERING FOR ASSISTANCE.

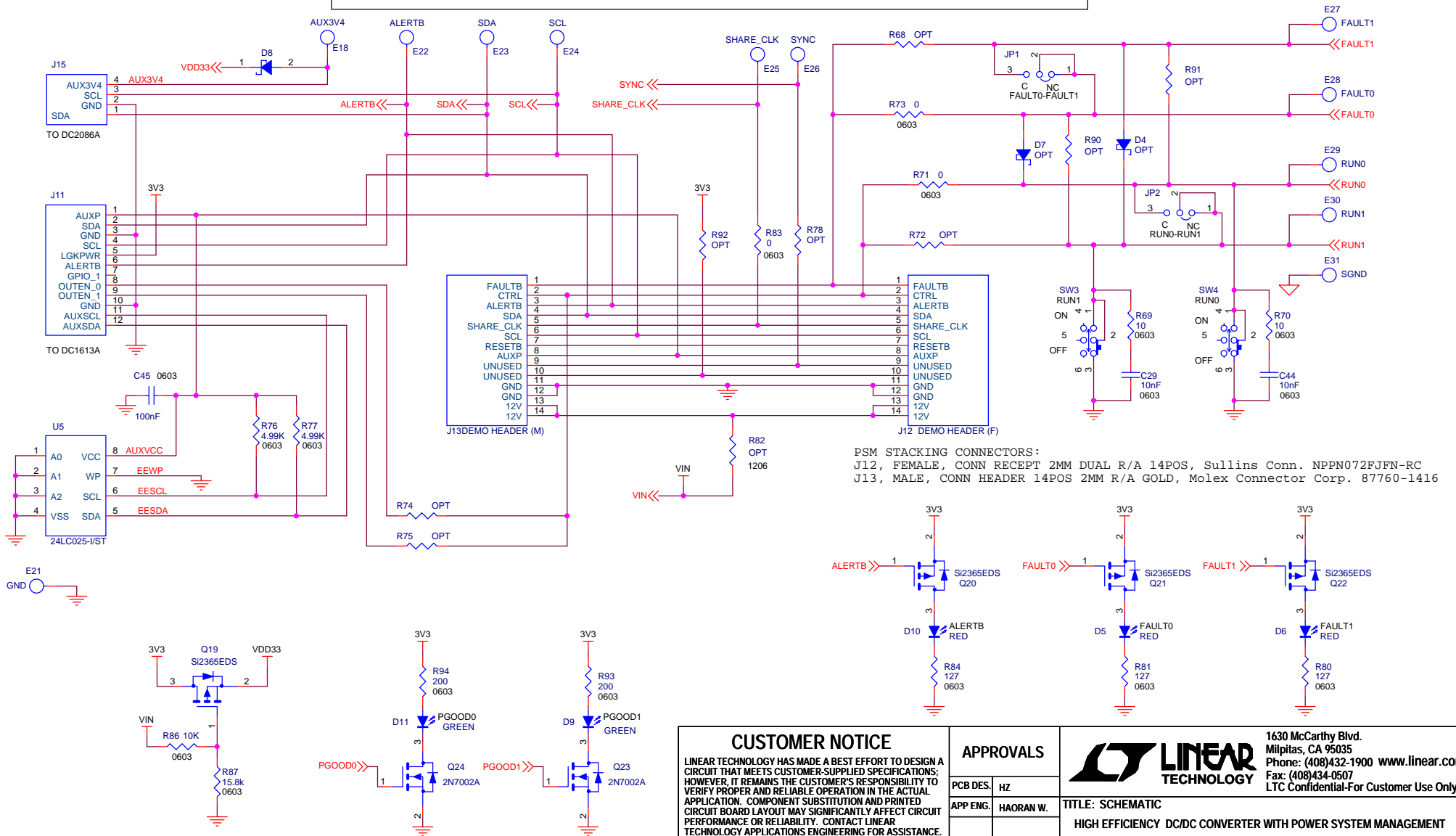
THIS CIRCUIT IS PROPRIETARY TO LINEAR TECHNOLOGY AND SUPPLIED FOR USE WITH LINEAR TECHNOLOGY PARTS.

APPROVALS			1630 McCarthy Blvd. Milpitas, CA 95035 Phone: (408)432-1900 www.linear.com Fax: (408)434-0507 LTC Confidential-For Customer Use Only	
PCB DES.	HZ		TITLE: SCHEMATIC	SIZE
APP ENG.	HAORAN W.	HIGH EFFICIENCY DC/DC CONVERTER WITH POWER SYSTEM MANAGEMENT	N/A	LTC3882EUJ-1
			DATE:	REV.
			Thursday, October 29, 2015	2
			SCALE = NONE	SHEET 1 OF 3



CUSTOMER NOTICE LINEAR TECHNOLOGY HAS MADE A BEST EFFORT TO DESIGN A CIRCUIT THAT MEETS CUSTOMER-SUPPLIED SPECIFICATIONS; HOWEVER, IT REMAINS THE CUSTOMER'S RESPONSIBILITY TO VERIFY PROPER AND RELIABLE OPERATION IN THE ACTUAL APPLICATION. COMPONENT SUBSTITUTION AND PRINTED CIRCUIT BOARD LAYOUT MAY SIGNIFICANTLY AFFECT CIRCUIT PERFORMANCE OR RELIABILITY. CONTACT LINEAR TECHNOLOGY APPLICATIONS ENGINEERING FOR ASSISTANCE.		APPROVALS PCB DES. HZ APP ENG. HAORAN W.		1630 McCarthy Blvd. Milpitas, CA 95035 Phone: (408)432-1900 www.linear.com Fax: (408)434-0507 LTC Confidential-For Customer Use Only	
		TITLE: SCHEMATIC HIGH EFFICIENCY DC/DC CONVERTER WITH POWER SYSTEM MANAGEMENT		SIZE N/A IC NO. LTC3882EUJ-1 DEMO CIRCUIT 2312A-B REV. 2	
THIS CIRCUIT IS PROPRIETARY TO LINEAR TECHNOLOGY AND SUPPLIED FOR USE WITH LINEAR TECHNOLOGY PARTS.		SCALE = NONE		DATE: Monday, August 10, 2015 SHEET 2 OF 3	

ALL PARTS ON THIS PAGE ARE FOR DEMO BOARD ONLY, NOT NEEDED IN CUSTOMER DESIGN



PSM STACKING CONNECTORS:
 J12, FEMALE, CONN RECEPT 2MM DUAL R/A 14POS, Sullins Conn. NPPN072FJFN-RC
 J13, MALE, CONN HEADER 14POS 2MM R/A GOLD, Molex Connector Corp. 87760-1416

CUSTOMER NOTICE LINEAR TECHNOLOGY HAS MADE A BEST EFFORT TO DESIGN A CIRCUIT THAT MEETS CUSTOMER-SUPPLIED SPECIFICATIONS; HOWEVER, IT REMAINS THE CUSTOMER'S RESPONSIBILITY TO VERIFY PROPER AND RELIABLE OPERATION IN THE ACTUAL APPLICATION. COMPONENT SUBSTITUTION AND PRINTED CIRCUIT BOARD LAYOUT MAY SIGNIFICANTLY AFFECT CIRCUIT PERFORMANCE OR RELIABILITY. CONTACT LINEAR TECHNOLOGY APPLICATIONS ENGINEERING FOR ASSISTANCE.		APPROVALS		1630 McCarthy Blvd. Milpitas, CA 95035 Phone: (408)432-1900 www.linear.com Fax: (408)434-0507 LTC Confidential-For Customer Use Only	
		PCB DES.	HZ		
THIS CIRCUIT IS PROPRIETARY TO LINEAR TECHNOLOGY AND SUPPLIED FOR USE WITH LINEAR TECHNOLOGY PARTS.		SCALE = NONE		TITLE: SCHEMATIC HIGH EFFICIENCY DC/DC CONVERTER WITH POWER SYSTEM MANAGEMENT	
				SIZE N/A	IC NO. LTC3882EUJ-1 DEMO CIRCUIT 2312A-B
				DATE: Monday, August 10, 2015	REV. 2
				SHEET 3 OF 3	