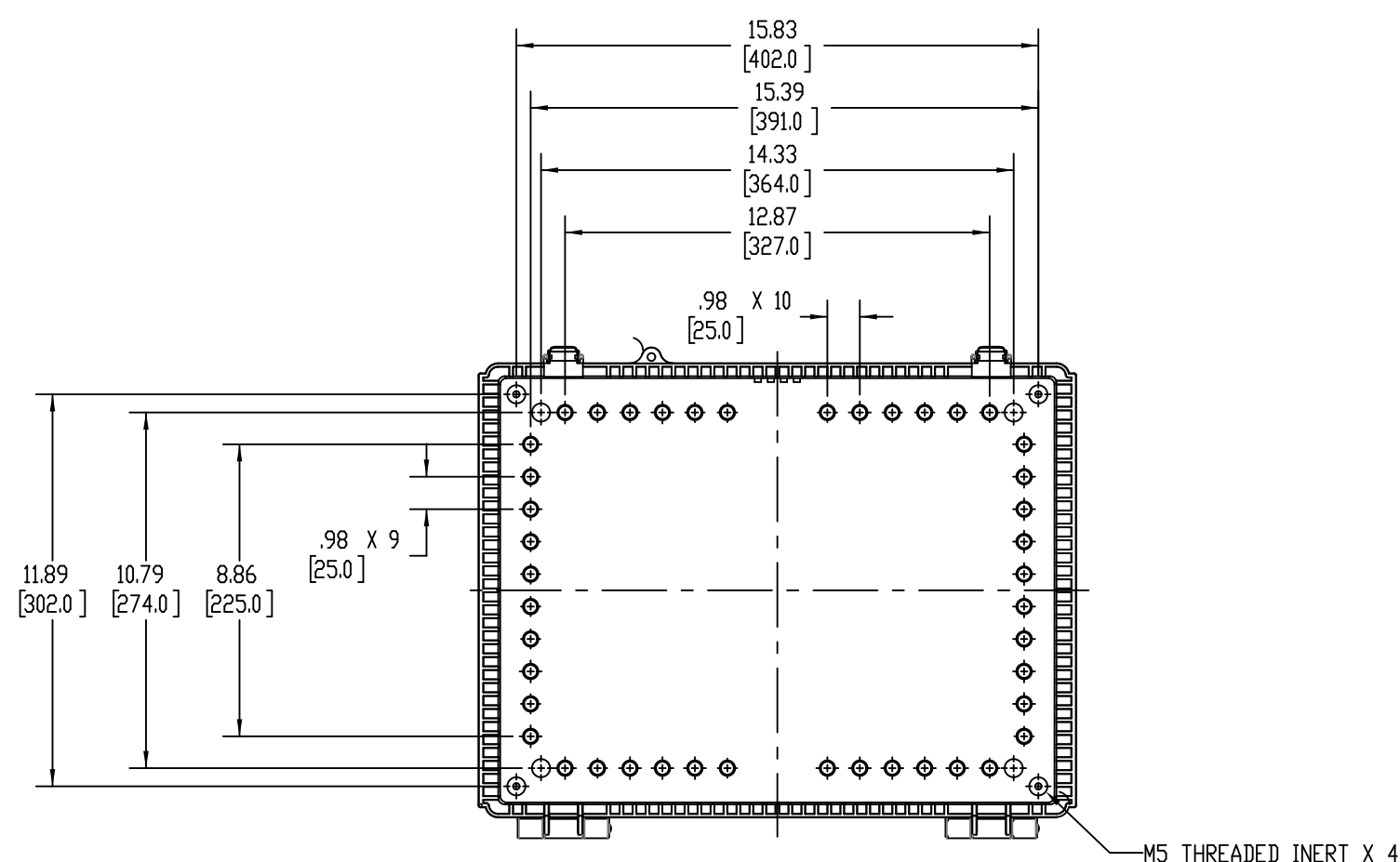
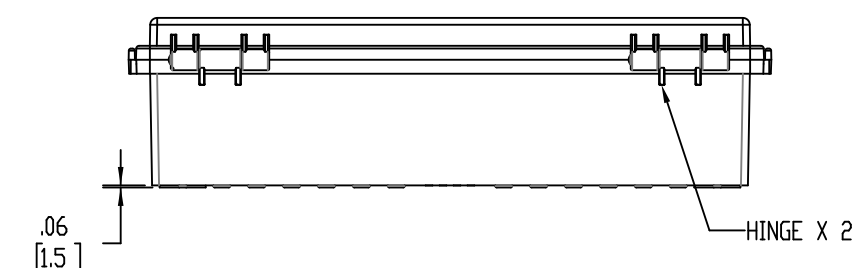
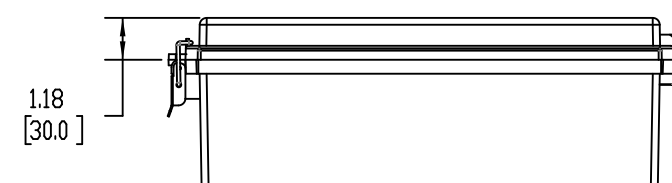
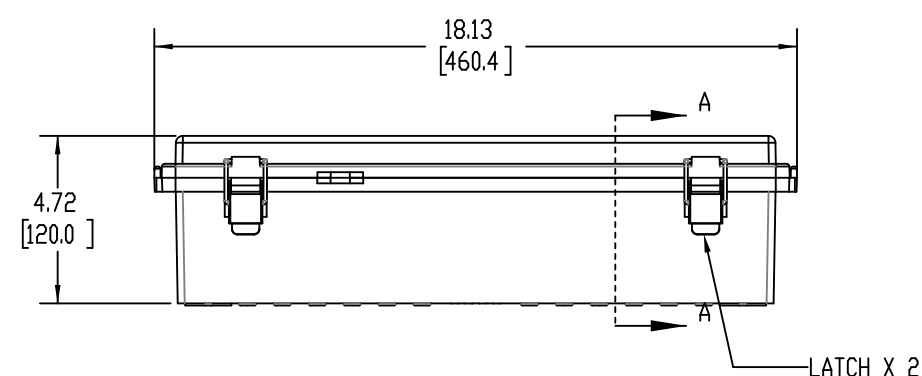


SECTION A-A  
SCALE 1 : 4



NOTES:

- MATERIAL: BODY - POLYCARBONATE 10% FIBERGLASS REINFORCED  
COVER - POLYCARBONATE  
UL508 /NEMA TYPE 4X WITH IP-67 TUV RATING & UL-94V0 RATING
- FINISH: BODY - LIGHT GRAY  
COVER - LIGHT GRAY OR CLEAR (-C)
- CONTINUOUS GASKET IN COVER
- SUPPLIED WITH FOUR M4 x 8mm LG. TRUSS HEAD MACHINE SCREWS
- DIMENSIONS ARE INCH (MM)
- OPTIONAL ACCESSORIES:  
INTERNAL STEEL PANEL - PTX-11073  
INTERNAL PLASTIC PANEL - PTX-11073-P  
MOUNTING BRACKET KIT (STAINLESS STEEL) - NBX-10922

DRAWING FOR REFERENCE  
WE RESERVE THE RIGHT TO MAKE CHANGES TO OUR  
STANDARD PRODUCTS. PLEASE CONSULT WITH BUD INDUSTRIES  
PRIOR TO USING THIS DRAWING FOR DESIGN PURPOSE.