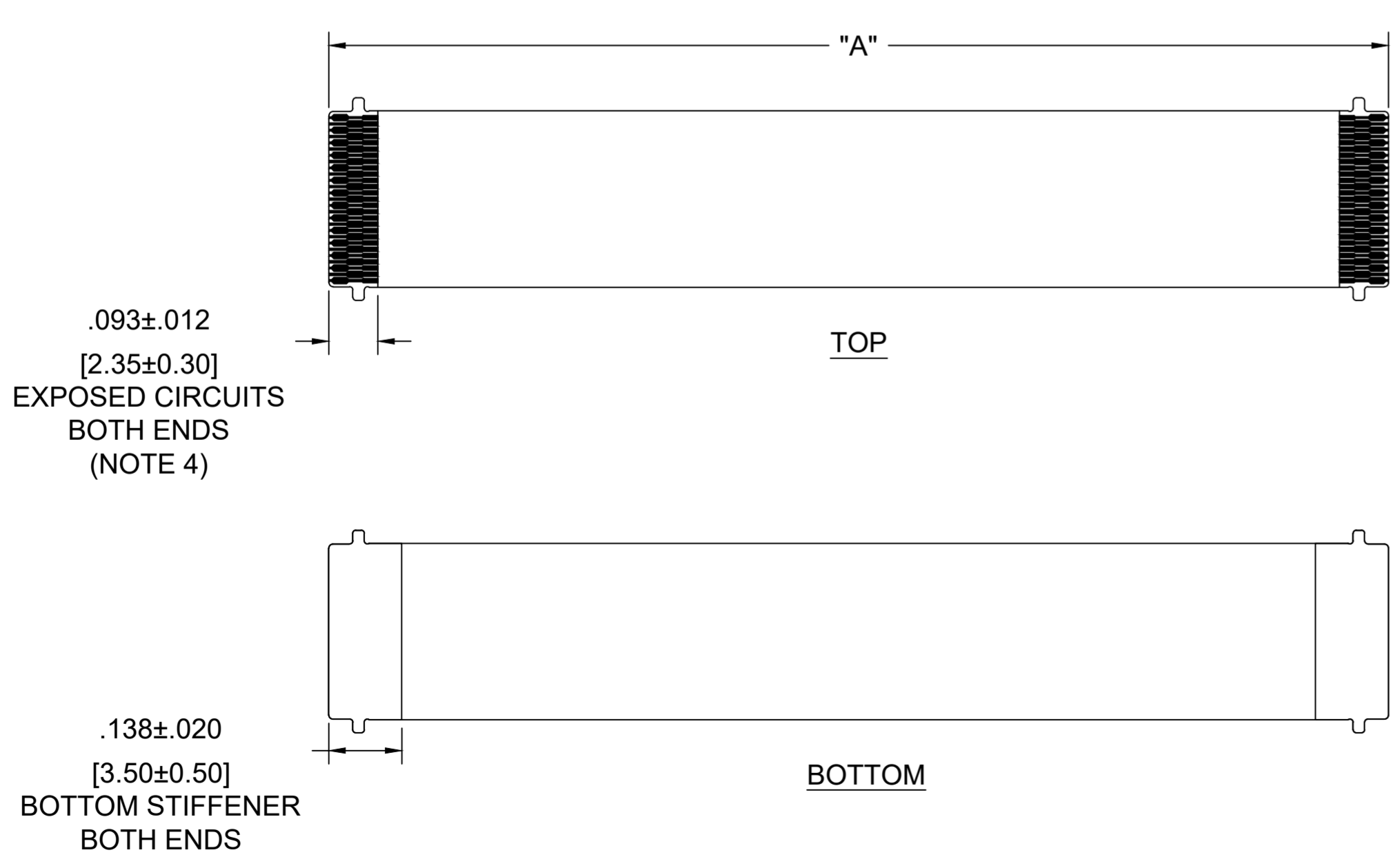
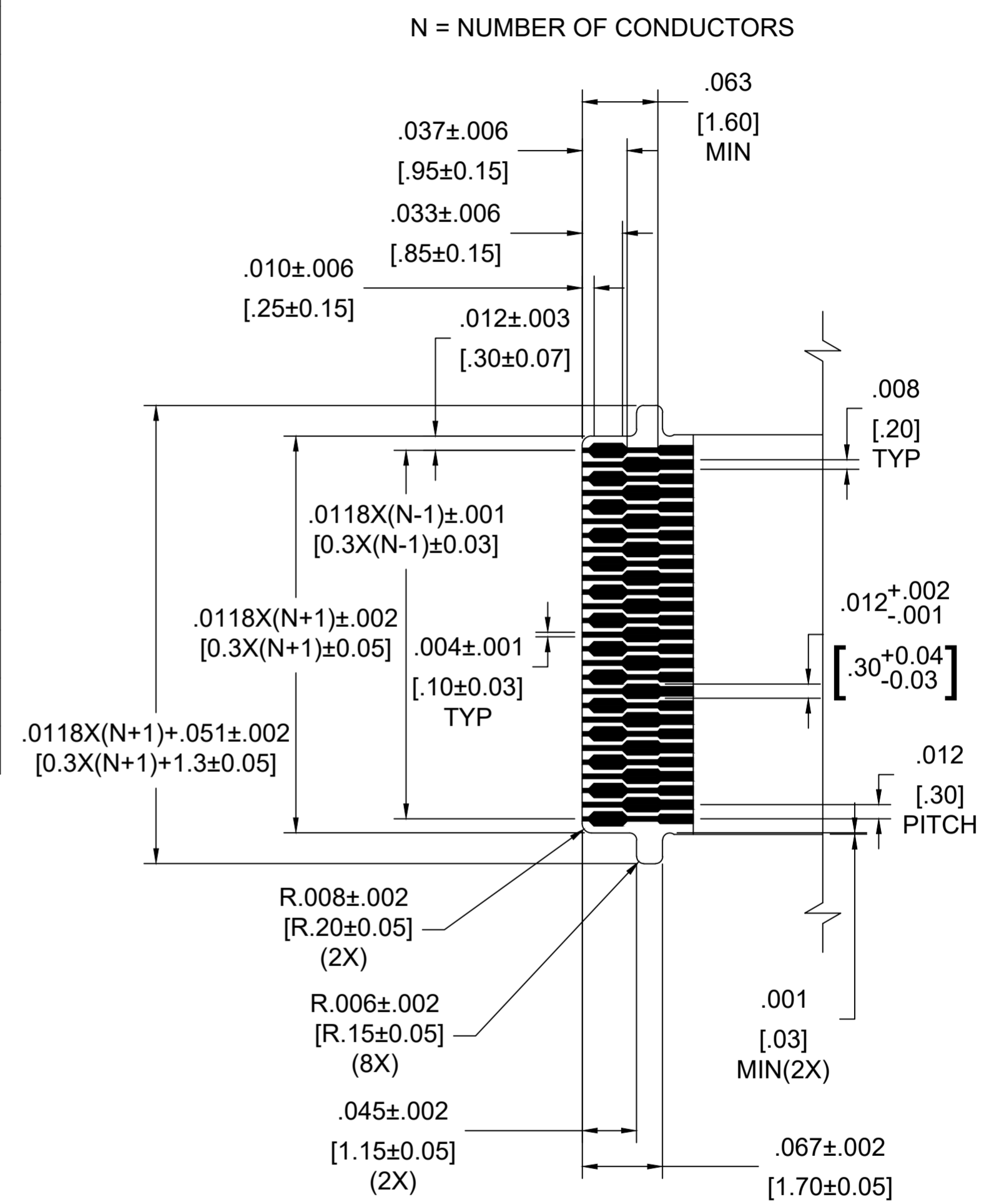


0.30MM CENTER FFC JUMPER CABLE CHART

| "A" DIM. | 2 ± .08 INCHES 51 ± 2 MM | 4 ± .16 INCHES 102 ± 4 MM | 6 ± .16 INCHES 152 ± 4 MM | 8 ± .20 INCHES 203 ± 5 MM | 10 ± .20 INCHES 254 ± 5 MM | 12 ± .20 INCHES 305 ± 5 MM |
|----------|-----------------------------|------------------------------|------------------------------|------------------------------|-------------------------------|-------------------------------|
| CKTS: 9 | 150320209 | 150320409 | 150320609 | 150320809 | 150321009 | 150321209 |
| CKTS: 11 | 150320211 | 150320411 | 150320611 | 150320811 | 150321011 | 150321211 |
| CKTS: 13 | 150320213 | 150320413 | 150320613 | 150320813 | 150321013 | 150321213 |
| CKTS: 15 | 150320215 | 150320415 | 150320615 | 150320815 | 150321015 | 150321215 |
| CKTS: 17 | 150320217 | 150320417 | 150320617 | 150320817 | 150321017 | 150321217 |
| CKTS: 19 | 150320219 | 150320419 | 150320619 | 150320819 | 150321019 | 150321219 |
| CKTS: 21 | 150320221 | 150320421 | 150320621 | 150320821 | 150321021 | 150321221 |
| CKTS: 23 | 150320223 | 150320423 | 150320623 | 150320823 | 150321023 | 150321223 |
| CKTS: 25 | 150320225 | 150320425 | 150320625 | 150320825 | 150321025 | 150321225 |
| CKTS: 27 | 150320227 | 150320427 | 150320627 | 150320827 | 150321027 | 150321227 |
| CKTS: 31 | 150320231 | 150320431 | 150320631 | 150320831 | 150321031 | 150321231 |
| CKTS: 33 | 150320233 | 150320433 | 150320633 | 150320833 | 150321033 | 150321233 |
| CKTS: 35 | 150320235 | 150320435 | 150320635 | 150320835 | 150321035 | 150321235 |
| CKTS: 37 | 150320237 | 150320437 | 150320637 | 150320837 | 150321037 | 150321237 |
| CKTS: 39 | 150320239 | 150320439 | 150320639 | 150320839 | 150321039 | 150321239 |
| CKTS: 41 | 150320241 | 150320441 | 150320641 | 150320841 | 150321041 | 150321241 |
| CKTS: 43 | 150320243 | 150320443 | 150320643 | 150320843 | 150321043 | 150321243 |
| CKTS: 45 | 150320245 | 150320445 | 150320645 | 150320845 | 150321045 | 150321245 |
| CKTS: 51 | 150320251 | 150320451 | 150320651 | 150320851 | 150321051 | 150321251 |

- NOTES:**
- SUBSTRATE AND COVERLAY MATERIAL IS .001" [25um] POLYIMIDE.
 - CONDUCTOR IS 1/2 OZ (.0007") [18um] COPPER.
 - PLATING IS 2 MICRO INCHES MINIMUM OF HARD GOLD OVER 100 MICRO INCHES MINIMUM OF NICKEL.
 - TAIL ENDS ARE .008±.001 [0.20±0.03] THICK.
 - JUMPER CABLES ARE SUITABLE FOR USE WITH MOLEX 503566 SERIES CONNECTOR.



| | | | | |
|--------------------|---|------------------------|--------------------------------------|------------|
| FUNCTIONAL SYMBOLS | THIS DRAWING CONTAINS INFORMATION THAT IS PROPRIETARY TO MOLEX ELECTRONIC TECHNOLOGIES, LLC AND SHOULD NOT BE USED WITHOUT WRITTEN PERMISSION | | CURRENT REV DESC: PRODUCTION RELEASE | |
| | DIMENSION UNITS | SCALE | | |
| | MM/INCH | 4:1 | | |
| DIVISIONAL SYMBOLS | GENERAL TOLERANCES (UNLESS SPECIFIED) | | EC NO: 701160 | |
| | | | DRWN: MIMIG | 2022/03/28 |
| | 4 PLACES | ±---- | CHK'D: JSMITH11 | 2022/03/30 |
| | 3 PLACES | ±---- | APPR: JSMITH11 | 2022/03/30 |
| | 2 PLACES | ±---- | INITIAL REVISION: | |
| 1 PLACE | ±---- | DRWN: MIMIG | 2022/03/28 | |
| 0 PLACES | ±---- | APPR: JSMITH11 | 2022/03/30 | |
| | ANGULAR TOL ± 1.0 ° | THIRD ANGLE PROJECTION | DRAWING | SERIES |
| | DRAFT WHERE APPLICABLE MUST REMAIN WITHIN DIMENSIONS | | C-SIZE | 15032 |
| DOCUMENT STATUS | P1 | RELEASE DATE | 2022/03/30 | 23:34:45 |
| 150320001 | | PSD | 000 | A |
| SEE CHART | GENERAL MARKET | SHEET NUMBER | | 1 OF 1 |